

## SIGNS & MARKERS

DRAWING NUMBER	SHT.	DRAWING TITLE	DWG REV.	BOM REV.
<b>B-30-00</b>	<b>1 - 1</b>	<b>GENERAL INFORMATION</b>	<b>B</b>	<b>-</b>
<b>B-30-10</b>	<b>1 - 4</b>	<b>DANGER SIGNS - INSTALLATION PRACTICE</b>	<b>A/A/A/A</b>	<b>-</b>
<b>B-30-12</b>	<b>1 - 1</b>	<b>CUSTOMER INSTALLED GROUND RESISTOR</b>	<b>A</b>	<b>-</b>
<b>B-30-15</b>	<b>1 - 2</b>	<b>RURAL CABLE MARKER</b>	<b>0</b>	<b>A</b>
<b>B-30-16</b>	<b>1 - 1</b>	<b>UNDERGROUND MARKER BALLS</b>	<b>A</b>	<b>-</b>
<b>B-30-20</b>	<b>1 - 3</b>	<b>PADMOUNT APPARATUS LABELING</b>	<b>0 / 0</b>	<b>A</b>
<b>B-30-21</b>	<b>1 - 2</b>	<b>URBAN CABLE MARKER</b>	<b>B</b>	<b>0</b>
<b>B-30-26</b>	<b>1 - 3</b>	<b>CABLE IDENTIFICATION</b>	<b>C / 0</b>	<b>C</b>

### *SaskPower* - DISTRIBUTION STANDARDS

APPROVAL

**L. MOEN**

DESIGN CHK

**D. DONAIS**

DRN. **DCD**

CHKD.

**2018-12-14**

**INDEX**

DATE OF ISSUE: **GEFJE/EG**

DRAWING NO: **B-30-INDEX**

**SHEET 1 of 1**

REV. **I**

## SIGNS & MARKERS

### 1. GENERAL

ALL SIGNS AND MARKERS USED IN THE DISTRIBUTION SYSTEM ARE NOT INCLUDED IN THIS SECTION. SIGNS OF GREATEST IMPORTANCE, COMMON USAGE, AND SPECIAL INSTALLATION OR APPLICATION ARE INCLUDED.

### 2. RURAL CABLE MARKERS

CABLE MARKERS SHOULD BE INSTALLED AT THE FOLLOWING LOCATIONS:

AT THE EDGE OF THE ROAD ALLOWANCE ON BOTH SIDES OF A ROAD CROSSING. IF ROAD ALLOWANCE IS CULTIVATED, A SINGLE CABLE MARKER ON ONE SIDE OF ROAD WILL BE SUFFICIENT.

AT THE EDGE OF THE RAILWAY RIGHT-OF-WAY ON BOTH SIDES OF A RAILWAY CROSSING.

AT SECTION LINES, QUARTER-MILE LINES, AND FENCE LINES.

THE MARKERS SHOULD BE OFFSET 0.6m (TWO FEET) FROM THE CABLE TO AVOID POSSIBLE DAMAGE TO THE CABLE WHEN INSTALLING THE MARKER POST. THE OFFSET SHOULD BE TO THE WEST FOR NORTH-SOUTH CABLES AND TO THE NORTH FOR EAST-WEST CABLES. DOUBLE CABLE RUNS SHALL HAVE TWO MARKERS INSTALLED USING THE SAME OFFSETS USED FOR SINGLE CABLE CONSTRUCTION.

FOR CABLES IN THE SAME TRENCH, ONE POST WITH TWO CABLE MARKER CYLINDERS SHALL BE USED.

BACK TO INDEX PAGE

### *SaskPower* – DISTRIBUTION STANDARDS

DRN. <i>DK</i>	DESIGN CHK.	SAFETY APP.	APPROVAL	GENERAL INFORMATION	
CHKD.					
DATE	DATE	DATE	DATE		
DATE OF ISSUE			DRAWING NO. B-30-00	SHEET 1 of 1	REV. B

## DANGER SIGNS

IT IS THE INTENTION OF THESE SIGNS TO PROVIDE ADEQUATE WARNING OF THE DANGER OF HIGH VOLTAGE TO LIFE AND LIMB IN AND AROUND ENERGIZED FACILITIES OF THE S.P.C. THE DIRECTION OF THE WARNING IS TO THE PUBLIC AT LARGE AND S.P.C. DIRECTLY EMPLOYED AND CONTRACT LABOUR.

THE METHOD EMPLOYED TO PROVIDE THE WARNING IS THROUGH THE USE OF CLEARLY LETTERED SIGNS LARGE ENOUGH TO READ FROM A SAFE DISTANCE.

1. THE FOLLOWING CONDITIONS SHOULD BE PREVALENT IN ANY SITUATION:
  - (a) – THAT ALL FENCED AND HOUSE SUBSTATION, REGULATORS AND SIMILAR ENERGIZED FACILITIES BE LOCKED SECURELY ENSURING THAT NO ACCESS CAN BE GAINED AT ALL TIMES.
  - (b) – THAT SIGNS ARE MOUNTED AT A HEIGHT OF 1.5m FROM GRADE LEVEL.
  - (c) – THAT SIGNS ARE PERMANENTLY MOUNTED ON FENCES EVERY 13m OF FENCE LENGTH.
  - (d) – AT LEAST ONE SIGN SHALL APPEAR ON EACH SIDE OF A BUILDING OR OF THE PERIMETER OF FENCE.
  - (e) – A SIGN SHALL BE MOUNTED IN THE IMMEDIATE VICINITY OF EACH LOCKING POINT OF A GATE OR DOOR.
  - (f) – A SIGN SHALL BE PERMANENTLY MOUNTED ON: POLES WHERE CONDUCTORS, CABLES, CABLE IN CONDUIT, GROUND WIRES, SWITCHES, SWITCH HANDLES ETC. ARE ACCESSIBLE FROM GROUND LEVEL.  
– POLES OF ALL NON-FENCED PLATFORM MOUNTED EQUIPMENT, THE SIGN SHALL BE ON THE INSIDE FACE OF EACH POLE.  
– ALL GUYED POLES.
  - (g) – THAT SIGNS ARE MOUNTED ADJACENT TO THE CLIMBING QUADRANT OF POLE.
2. THE FOLLOWING IS IN ADDITION TO 1 ABOVE:
  - (a) – A SIGN SHALL BE PERMANENTLY MOUNTED ON ALL URBAN UNDERGROUND CABLE TAKE-OFF POLES, DIRECTLY ABOVE GUARD END, IN THE NEUTRAL SPACE LOCATION.
  - (b) – A SIGN SHALL BE PERMANENTLY MOUNTED ON ALL FARM TRANSFORMER POLES, DIRECTLY ABOVE THE SERVICE HEAD (DRIP LOOP) LOCATION OF THE LOAD SERVICE CABLE ON THE CUSTOMER ATTACHMENT POINT.
  - (c) – ALL PADMOUNTED TRANSFORMERS, SWITCHING CUBICLES, AND REACTORS SHALL HAVE SIGNS. THIS INCLUDES KIOSKS, SERVICE PEDISTALS, AND ANY APPARATUS REQUIRING THE PUBLIC OR EMPLOYEES AWARENESS OF THE HIGH VOLTAGE DANGER.

BACK TO INDEX PAGE

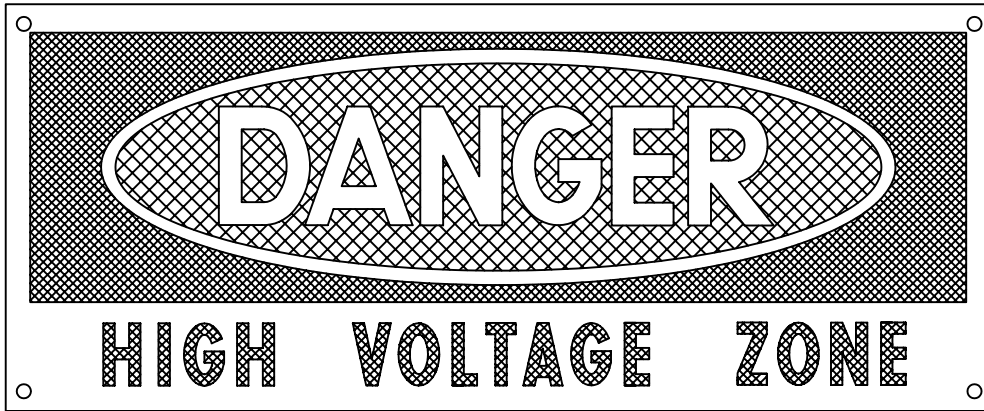
### *SaskPower* – DISTRIBUTION STANDARDS

DRN. <i>DK</i>	DESIGN CHK.	SAFETY APP.	APPROVAL	DANGER SIGNS INSTALLATION PRACTICE	
CHKD. <i>FTK</i>					
DATE 87-05-26	DATE	DATE	DATE		
DATE OF ISSUE	87-12-01	DRAWING NO.	B-30-10	SHEET 1 of 4	REV. A

THE FOLLOWING SIGN SHALL BE INSTALLED ON POLES, OR UNFENCED FACILITIES.

CODE 05-640-000

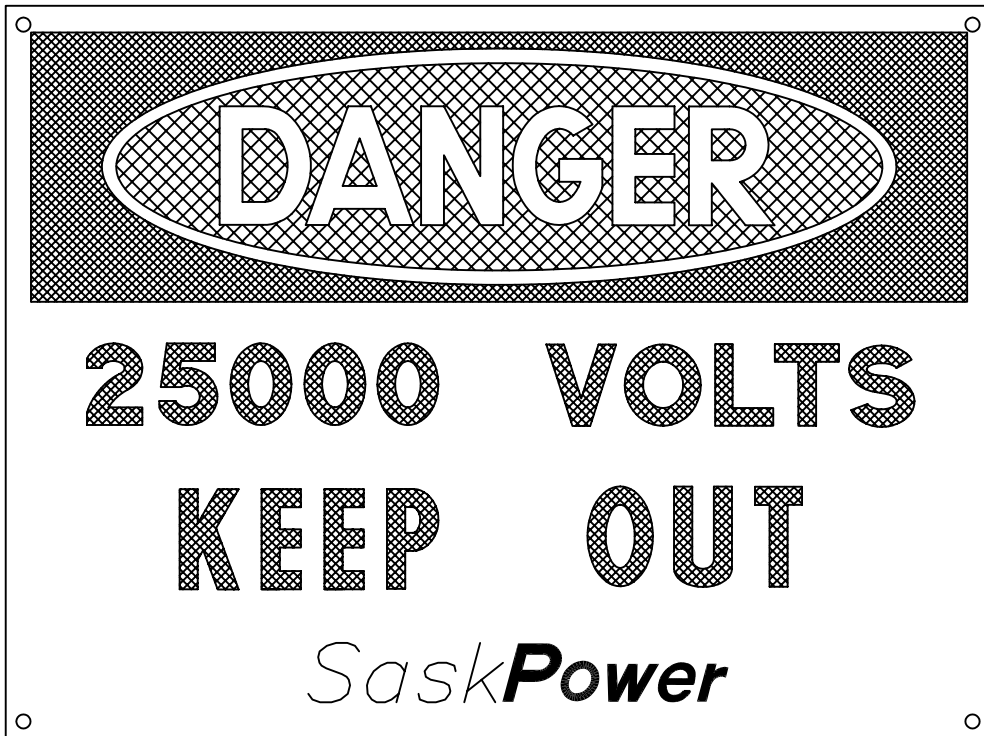
DANGER - HIGH VOLTAGE



THE FOLLOWING SIGN SHALL BE INSTALLED ON FENCED FACILITIES OR BUILDINGS.

CODE 05-640-025

25000 V



NOTE:

1. USE 2 1/2" NAILS (CODE 7-63-10) TO ATTACH SIGNS TO WOOD POLES.
2. USE WIRE STRANDS TO ATTACH SIGNS TO CHAIN LINK FENCES.

*SaskPower* - DISTRIBUTION STANDARDS

DRN. <i>DK</i>	DESIGN CHK.	SAFETY APP.	APPROVAL	DANGER SIGNS INSTALLATION PRACTICE	
CHKD. <i>FTK</i>					
DATE 87-05-25	DATE	DATE	DATE		
DATE OF ISSUE	87-12-01	DRAWING NO.	B-30-10	SHEET 2 of 4	REV. A

## GUIDELINE FOR PLACEMENT OF SIGNS CODE 05-648-360 AND 05-649-030

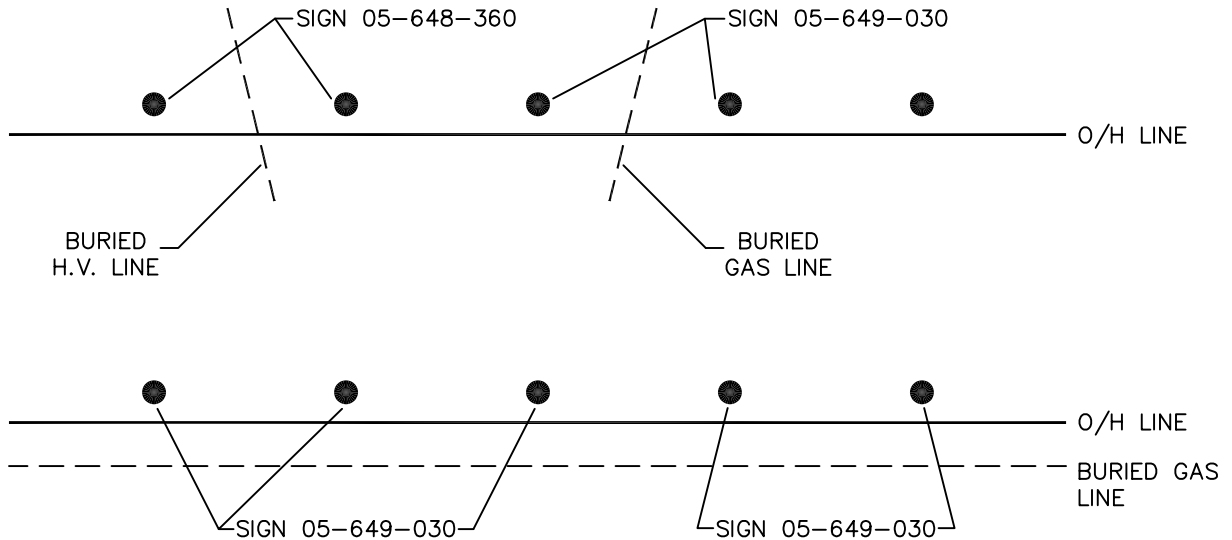
\* THE FOLLOWING APPLIES IN RURAL AREAS ONLY.

THESE TWO DANGER SIGNS ARE USED TO DESIGNATE THE LOCATION OF THE CROSSING OF BURIED HIGH VOLTAGE CABLES OR GAS PIPE LINES UNDER AN OVERHEAD LINE. THE SIGN FOR GAS PIPELINES IS ALSO USED FOR A GAS LINE RUNNING PARALLEL TO AN OVERHEAD LINE AND WITHIN 15m OF EACH OTHER. THIS IS TO ALLOW GUYS AND ANCHORS TO BE INSTALLED FOR TAPS AND SIDE GUYS WITHOUT HITTING BURIED LINES.

THE SIGNS SHOULD BE INSTALLED 1.5m ABOVE GRADE AND FACE TOWARDS THE BURIED FACILITIES. IT IS MORE IMPORTANT THAT THE SIGN NOT BE IN THE CLIMBING QUADRANT OF THE POLE AND NOT INTERFERE WITH EQUIPMENT.

A STANDARD "DANGER" SIGN (05-640-000) IS STILL REQUIRED ACCORDING TO ITS OWN RULES.

EXAMPLES:

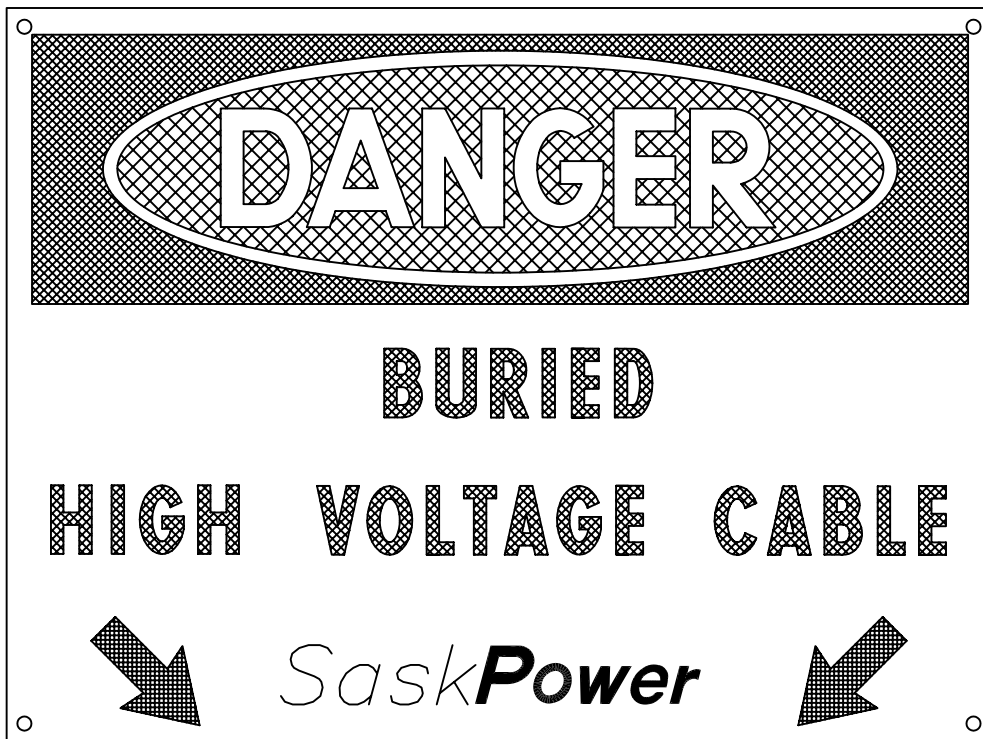


SEE DWG. B-30-10 SHT. 4 FOR DESCRIPTION OF THESE TWO SIGNS.

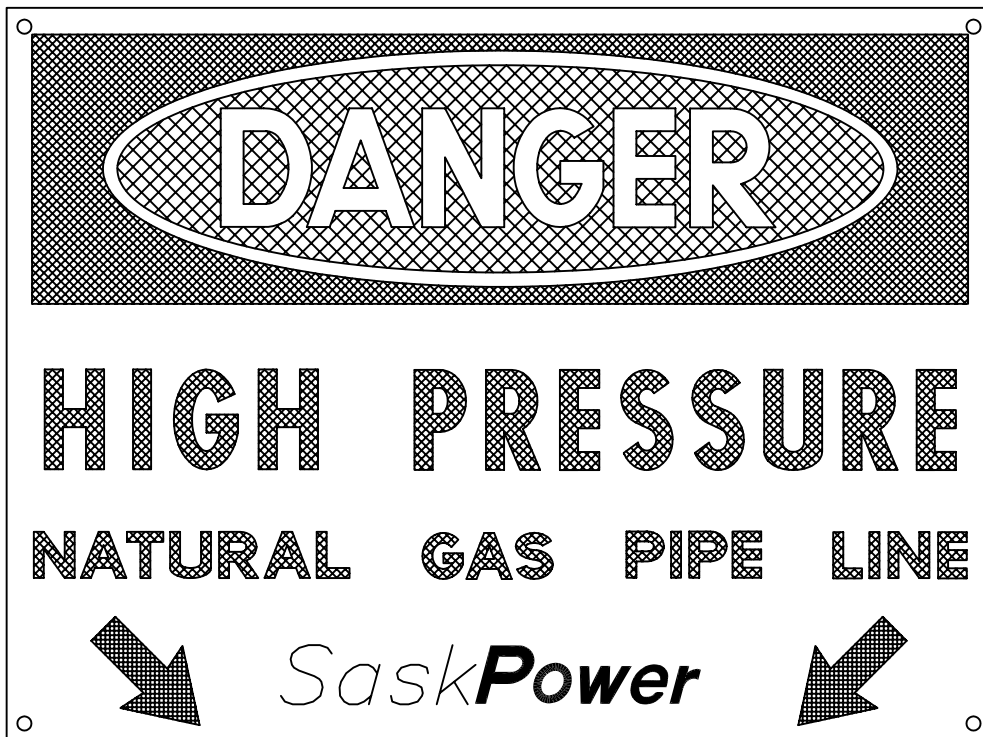
### SaskPower - DISTRIBUTION STANDARDS

DRN. <i>DK</i>	DESIGN CHK.	SAFETY APP.	APPROVAL	DANGER SIGNS INSTALLATION PRACTICE
CHKD. <i>FTK</i>				
DATE 87-05-25	DATE	DATE	DATE	
DATE OF ISSUE 87-12-01	DRAWING NO. B-30-10		SHEET 3 of 4	REV. A

CODE 05-648-360



CODE 05-649-030

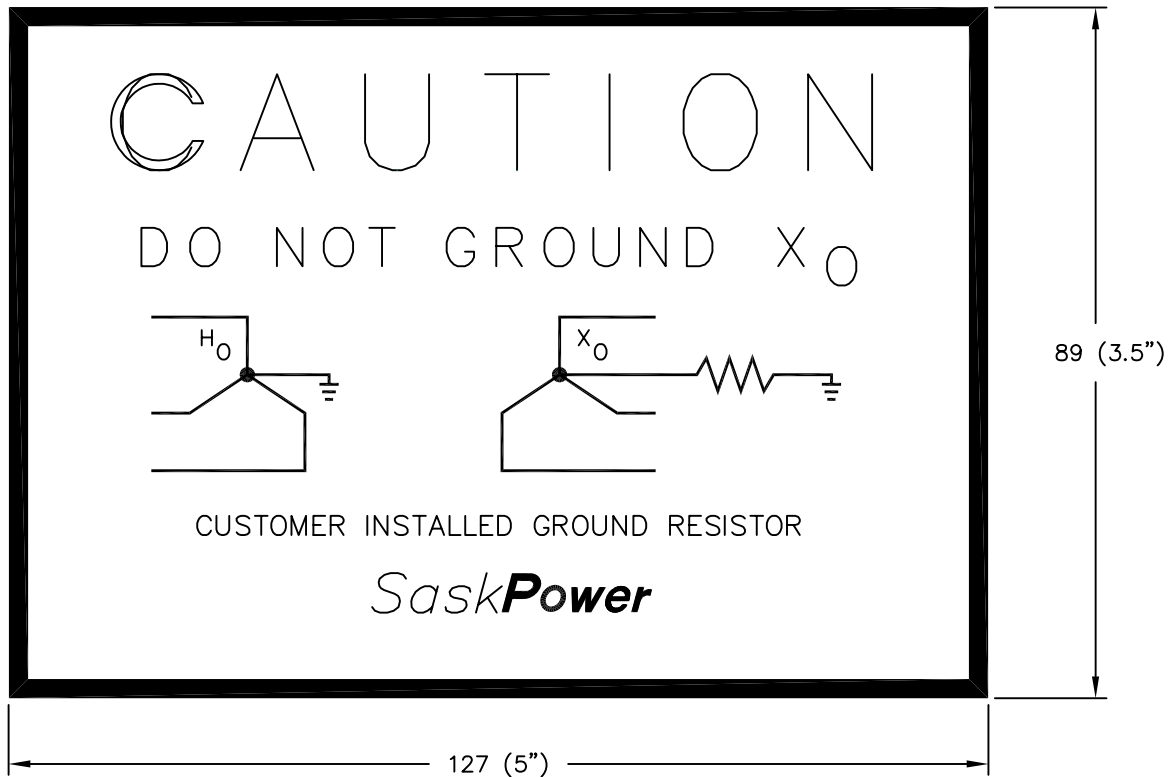


NOTE:

1. SEE DWG. B-30-10 SHT. 3 FOR GUIDELINES FOR THE PLACEMENT OF THESE TWO SIGNS.
2. USE 2 1/2" NAILS (CODE 7-63-10) TO ATTACH SIGNS TO WOOD POLES.

*SaskPower* - DISTRIBUTION STANDARDS

DRN. <i>DK</i>	DESIGN CHK.	SAFETY APP.	APPROVAL	DANGER SIGNS INSTALLATION PRACTICE	
CHKD. <i>FTK</i>					
DATE 87-05-25	DATE	DATE	DATE		
DATE OF ISSUE	87-12-01	DRAWING NO.	B-30-10	SHEET 4 of 4	REV. A



SIGN USEAGE & INSTALLATION

1. THIS SIGN IS USED TO IDENTIFY TO PERSONNEL, THAT THE SECONDARY NEUTRAL IS NOT TO BE CONNECTED TO GROUND.
2. THE SIGN IS TO BE INSTALLED NEAR THE X<sub>0</sub> BUSHINGS, OR CONNECTION POINT ON THE APPARATUS, AS APPLICABLE.
3. THE SIGN IS TO BE USED WHERE A CUSTOMER HAS INSTALLED A RESISTOR BETWEEN THE SECONDARY NEUTRAL AND GROUND.
4. THE GROUND RESISTOR ON THIS CONNECTION IS USED BY THE CUSTOMER, FOR FAULT DETECTION.
5. AN INSULATED CONDUCTOR MUST BE USED TO CONNECT X<sub>0</sub> TO THE CUSTOMER'S NEUTRAL BUS.
6. WHEN METERING ON SECONDARY SIDE, METERING TO BE 3Ø – 3W.
7. STOCK CODE No. 05-646-585.

SCALE: N.T.S. ALL DIMENSIONS ARE IN MILLIMETRES UNLESS OTHERWISE INDICATED

*SaskPower* – DISTRIBUTION STANDARDS

DRN. <i>R</i>	DESIGN CHK.	SAFETY APP.	APPROVAL	CUSTOMER INSTALLED GROUND RESISTOR	
CHKD.					
DATE 91-01-28	DATE	DATE	DATE		
DATE OF ISSUE			DRAWING NO. B-30-12	SHEET 1 of 1	REV. A

**BILL OF MATERIAL**

ITEM NO.	CODE NO.	QUANTITY		DESCRIPTION
		A	B	
1	05-537-022	1	0	<b>SIGN POST-RUD</b>
2	05-537-024	1	0	<b>SIGN CYLINDRICAL-RUD (SEE NOTE #3)</b>
3	05-537-026	0	1	<b>MARKER-RUD PASTURE INSTALLATION</b>
<p><b>NOTE:</b></p> <ol style="list-style-type: none"> <li><b>COLUMN A IS USED ON VARIOUS CROSSINGS, FENCE LINES/SECTION LINES.</b></li> <li><b>USE COLUMN B, IN PLACE OF A, FOR LIVESTOCK.</b></li> <li><b>ITEM #2 COMES WITH THREE 1/4" DIA. x 1" BOLTS, NUTS, AND SPRING WASHER, WHICH ARE <u>ALL</u> USED IN THE ATTACHMENT.</b></li> </ol>				

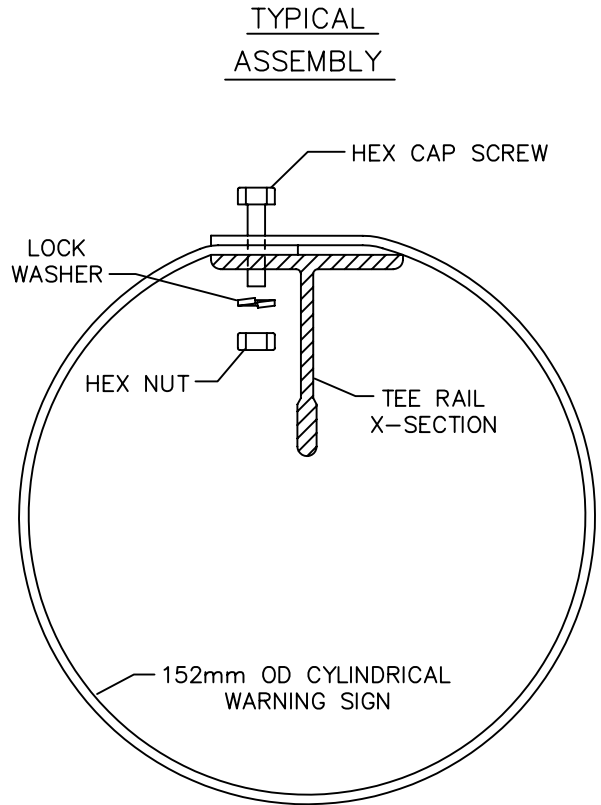
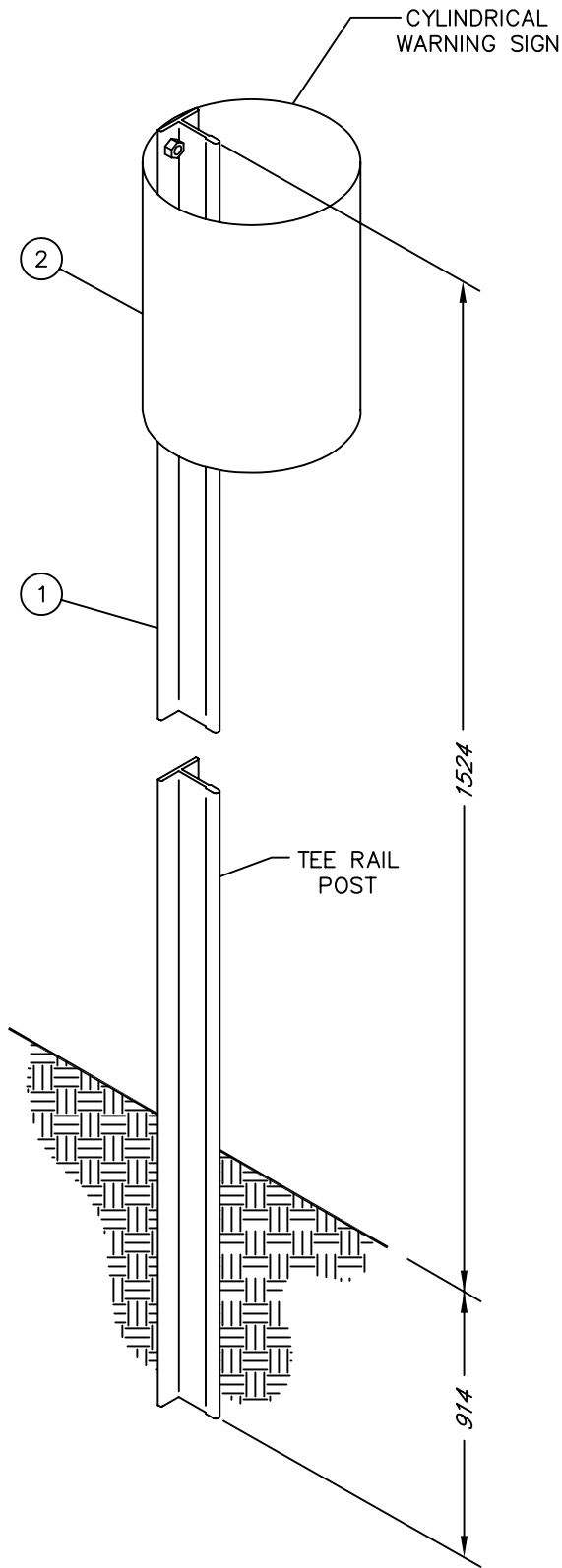
**BACK TO INDEX PAGE**

**SaskPower** - DISTRIBUTION STANDARDS

DRN.	DESIGN CHK.	APPROVAL	<b>RURAL CABLE MARKER</b>	
CHKD.				
DATE		DATE		
DATE OF ISSUE	<b>91-11-01</b>	DRAWING NO: <b>B-30-15</b>	<b>SHEET 1 of 2</b>	REV. <b>A</b>



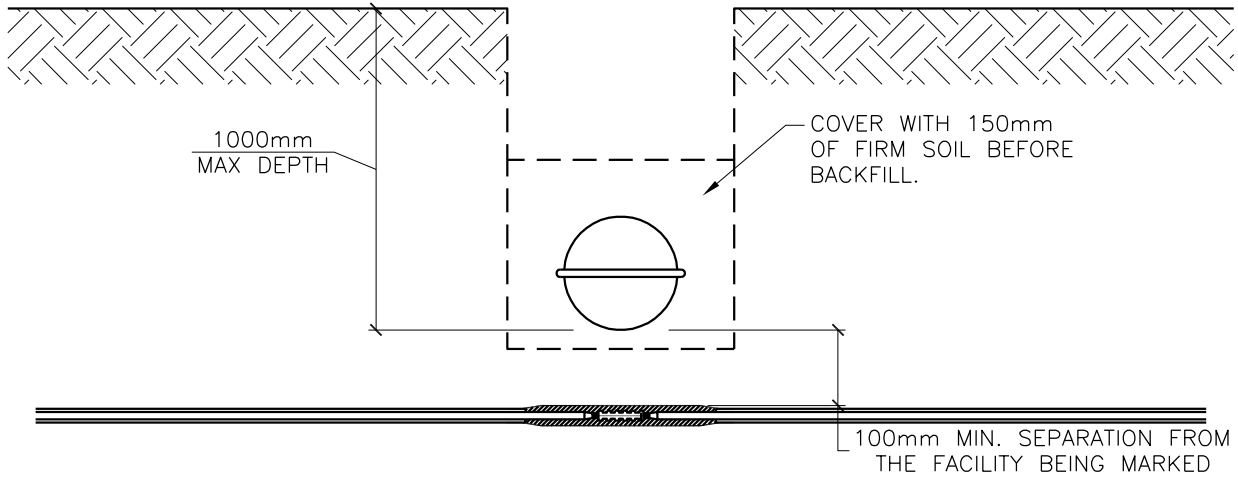
BACK TO INDEX PAGE



SCALE: N.T.S. ALL DIMENSIONS ARE IN MILLIMETRES UNLESS OTHERWISE INDICATED

SASKATCHEWAN POWER CORP. – DISTRIBUTION ENGINEERING STANDARDS

DRN. <i>DC</i>	DESIGN CHK.	SAFETY APP.	APPROVAL	RURAL CABLE MARKER
CHKD. <i>FTK</i>				
DATE 87-05-22	DATE	DATE	DATE	
DATE OF ISSUE 87-06-01	DRAWING NO. B-30-15		SHEET 2 of 2	REV. 0



BACK TO INDEX PAGE

**NOTE:**

1. FOR BETTER DETECTION AREA, PLACE MARKER BALL AT 750mm DEEP.
2. THE MINIMUM DISTANCE BETWEEN MARKERS SHOULD BE AT LEAST 1100mm FOR CLEAR IDENTIFICATION.
3. MARKER BALLS INTENDED FOR LOCATING SPLICES, SPARE DUCTS, AND OTHER VARIOUS U/G FACILITIES.
4. WHEN FACILITY BEING MARKED IS DEEPER THAN 1000mm BACKFILL TRENCH TO REQUIRED DEPTH BEFORE SETTING MARKER BALL.
5. MARKER BALL STOCK CODE: 5537020.

**SaskPower** – DISTRIBUTION STANDARDS

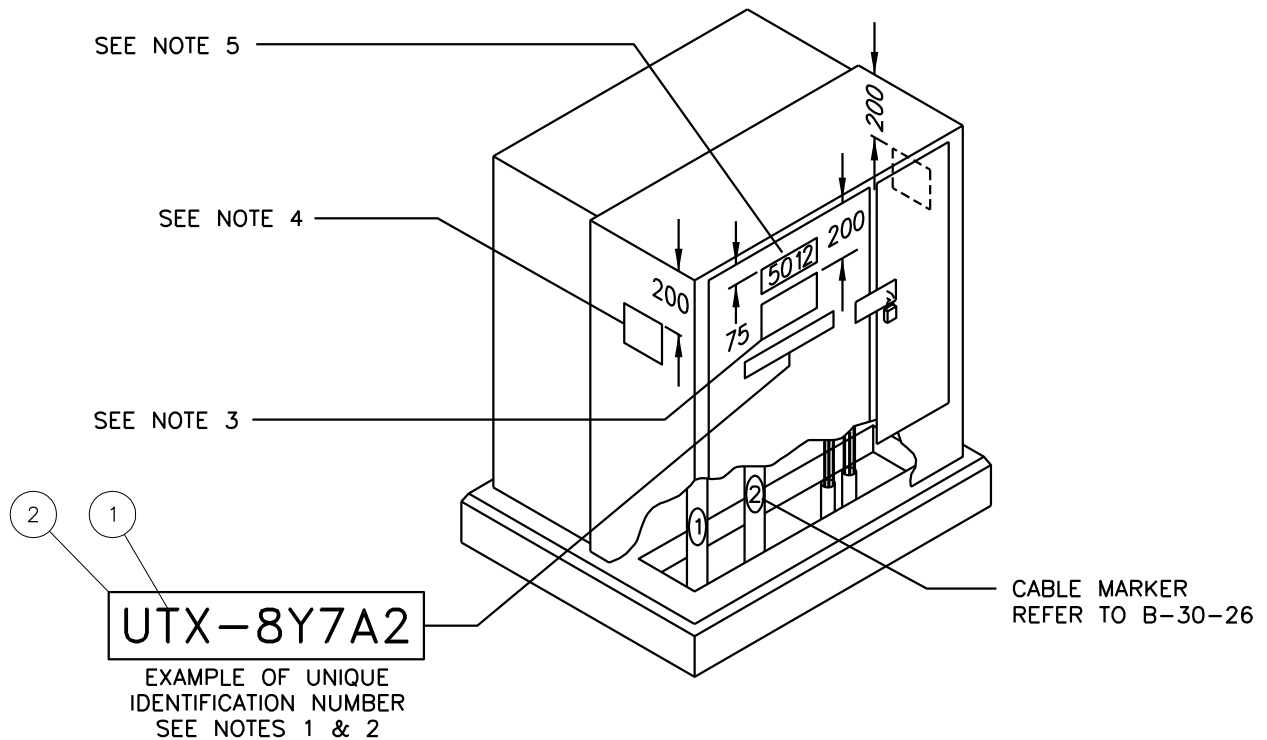
APPROVAL L.MOEN	DESIGN CHK. A.UHREN	DRN. D.REDEKOPP CHKD. 2016-07-27	<b>UNDERGROUND MARKER BALLS</b>	
DATE OF ISSUE	2016/11/08	DRAWING NO. B-30-16		
			REV. A	

**BILL OF MATERIAL**

ITEM NO.	CODE NO.	QUANTITY	DESCRIPTION
1	05 638 32X	3	NUMBER – DECAL BLACK 1 1/2"
1	05 638 329	1	SYMBOL – DECAL “DASH” BLACK 1 1/2"
1	05 638 4XX	5	LETTER – DECAL BLACK 1 1/2"
2	05 640 008	0.01	BLANK REFLECTIVE STRIP (150' ROLL)

**BACK TO INDEX PAGE**

<b>SaskPower</b> - DISTRIBUTION STANDARDS			
APPROVAL <b>L. MOEN</b>	DESIGN CHK <b>D. DONAIS</b>	DRN. <b>DCD</b> CHKD. <b>2018-12-11</b>	<b>PADMOUNT APPARATUS LABELING</b>
DATE OF ISSUE: 2019-01-02	DRAWING NO:	<b>B-30-20</b>	<b>SHEET 1 OF 3</b> <b>REV. A</b>



SPC CODE	DESCRIPTION
05 638 320	NUMBER "0"
05 638 321	NUMBER "1"
05 638 322	NUMBER "2"
05 638 323	NUMBER "3"
05 638 324	NUMBER "4"
05 638 325	NUMBER "5"
05 638 326	NUMBER "6"
05 638 327	NUMBER "7"
05 638 328	NUMBER "8"
05 638 329	SYMBOL "-"
05 638 450	LETTER "A"
05 638 451	LETTER "B"

SPC CODE	DESCRIPTION
05 638 452	LETTER "C"
05 638 453	LETTER "D"
05 638 454	LETTER "E"
05 638 455	LETTER "F"
05 638 456	LETTER "G"
05 638 457	LETTER "H"
05 638 458	LETTER "I"
05 638 459	LETTER "J"
05 638 460	LETTER "K"
05 638 461	LETTER "L"
05 638 462	LETTER "M"
05 638 463	LETTER "N"

SPC CODE	DESCRIPTION
05 638 465	LETTER "P"
05 638 466	LETTER "Q"
05 638 467	LETTER "R"
05 638 468	LETTER "S"
05 638 469	LETTER "T"
05 638 470	LETTER "U"
05 638 471	LETTER "V"
05 638 472	LETTER "W"
05 638 473	LETTER "X"
05 638 474	LETTER "Y"
05 638 475	LETTER "Z"

**NOTES:**

1. LOCATE LABEL ALONG CENTER LINE OF H.V. COMPARTMENT DOOR.
2. TRANSFORMER SHOWN. A HIGHLY VISIBLE, SIMILAR LOCATION SHALL BE USED FOR OTHER TYPES OF APPARATUS.
3. "DANGER - HIGH VOLTAGE" DECAL SHALL BE INSTALLED IF ABSENT. REFER TO SHEET 3 FOR MORE INFORMATION.
4. "DANGER - BURIED CABLE" DECAL SHALL BE INSTALLED IF ABSENT. REFER TO SHEET 3 FOR MORE INFORMATION.
5. EXISTING ASSET CODE SHALL REMAIN IF PRESENT.
6. NEW APPARATUS IS REQUIRED TO HAVE THESE DECALS INSTALLED IN THE FACTORY, HOWEVER, IF IT IS DISCOVERED THAT ANY OF THE DECALS ARE MISSING, THEY SHALL BE INSTALLED AS INDICATED. REFER TO SHEET 3 FOR DESCRIPTION, LOCATION AND STOCK CODES.

APPROVED FOR CONSTRUCTION

**SaskPower** - DISTRIBUTION STANDARDS

APPROVAL L.MOEN	DESIGN CHK. D.DONAIS	DRN.E.GOTANA CHKD. 2018-12-12	PADMOUNT APPARATUS LABELING
DATE OF ISSUE	GEFJEFEG	DRAWING NO. B-30-20	
		SHEET 2 of 3	REV. 0

BACK TO INDEX PAGE

PADMOUNT APPARATUS DECALS – SEE NOTE 6		
SPC CODE	DESCRIPTION	APPARATUS TYPE / LOCATION
05 641 027	4160V SECONDARY BUSHINGS	TRANSFORMER WITH 4160V SECONDARY BUSHINGS / FRONT & INSIDE CUBICLE ABOVE SECONDARY BUSHINGS
05 641 380	KEEP OUT ELECTRICAL CIRCUITS	STEEL SERVICE PEDESTALS / SIDE
		SINGLE COMPARTMENT PEDESTALS / ABOVE LOCKING MECHANISM
05 641 382	CAUTION KEEP CLEAR	STEEL SERVICE PEDESTALS / SIDE
05 641 384	NOTICE – WE NEED ROOM TO WORK SAFELY	TRANSFORMERS / FRONT
		SWITCHING CUBICLES / FRONT (FUSE SIDE OF CUBICLE)
05 641 385	DANGER – HIGH VOLTAGE	TRANSFORMERS / FRONT
		REACTORS / FRONT
		METER CABINETS / FRONT
05 641 535	DANGER – U/G HV CABLE	STEEL SERVICE PEDESTALS / SIDE
		SINGLE COMPARTMENT PEDESTALS / ABOVE LOCKING MECHANISM
05 646 582	WATCH FOR WIRES – SMALL	TRANSFORMERS / FRONT & BOTH SIDES
		SWITCHING CUBICLES / FRONT & BOTH SIDES
		SINGLE COMPARTMENT PEDESTALS / ABOVE LOCKING MECHANISM
05 646 583	WATCH FOR WIRES – LARGE	STEEL SERVICE PEDESTALS / SIDE

APPROVED FOR CONSTRUCTION

**SaskPower** – DISTRIBUTION STANDARDS

APPROVAL L.MOEN	DESIGN CHK. D.DONAIS	DRN.E.GOTANA CHKD. 2018-12-12	PADMOUNT APPARATUS LABELING
DATE OF ISSUE	06/11/18	DRAWING NO. B-30-20	
		SHEET 3 of 3	REV. 0

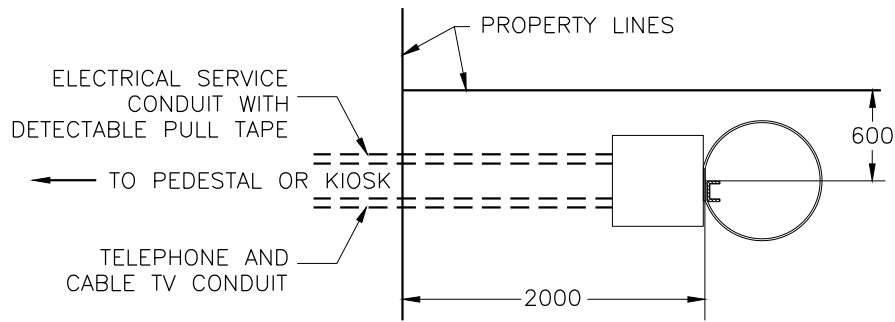
**BILL OF MATERIAL**

ITEM NO.	CODE NO.	QUANTITY	DESCRIPTION
1	5 04 09	1	<b>U/G SERVICE STUB PROTECTION BOX</b>
2	05 537 022	1	<b>SIGN, POST, GALVANIZED, RUD</b>
3	05 537 024	1	<b>SIGN-RUD CYLINDRICAL-DANGER WARNING (SEE NOTE 1)</b>
			<p><b>NOTE:</b></p> <p>1. ITEM #3 COMES WITH THREE 1/4" DIA. x 1" BOLTS, NUTS, AND SPRING WASHERS, WHICH ARE ALL USED IN THE ATTACHMENT.</p>

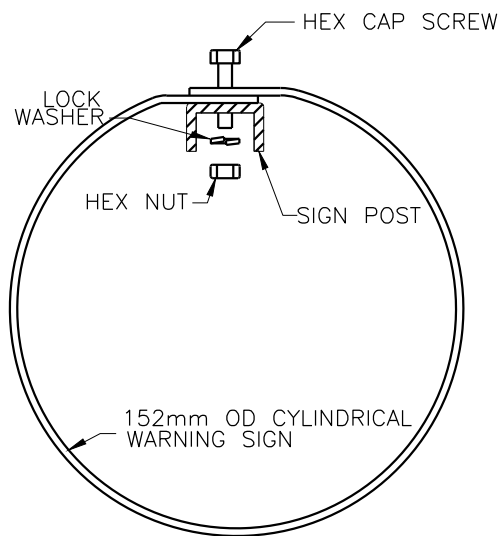
**BACK TO INDEX PAGE**

**SaskPower - DISTRIBUTION STANDARDS**

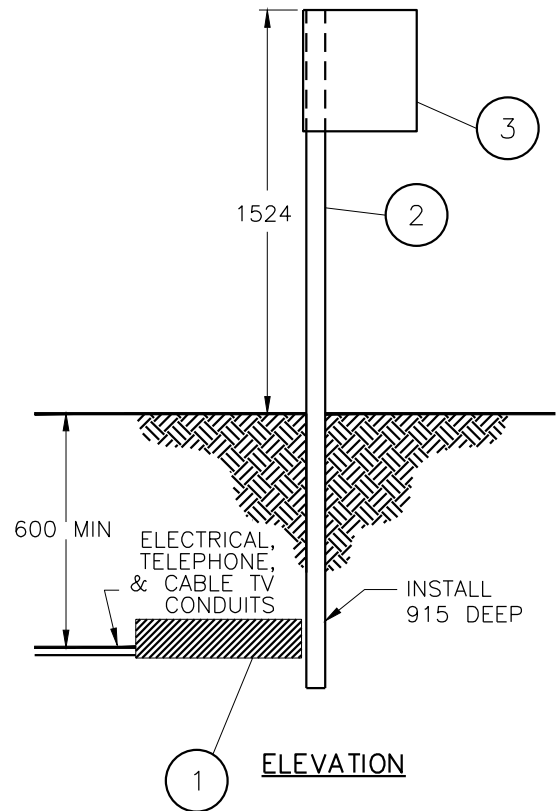
APPROVAL <b>L. MOEN</b>	DESIGN CHK <b>A. UHREN</b>	DRN. <b>ARU</b> CHKD.	<b>RESIDENTIAL CABLE MARKERS</b>
		<b>2016-09-20</b>	
DATE OF ISSUE: 2016/11/08	DRAWING NO: <b>B-30-21</b>	<b>SHEET 1 OF 2</b>	REV. <b>0</b>



PLAN VIEW



TYPICAL ASSEMBLY



ELEVATION

NOTE:

1. ENDS OF CONDUIT SHALL BE CAPPED.
2. DETECTABLE PULL TAPE SHALL BE GROUNDED TO SIGN POST AND AT PEDESTAL SIDE. UNGROUND PULL TAPE WHEN PULLING CABLES AND REMOVE PULL TAPE FROM CONDUIT ONCE CABLES ARE PULLED.

SCALE: N.T.S. ALL DIMENSIONS ARE IN MILLIMETRES UNLESS OTHERWISE INDICATED

**SaskPower** – DISTRIBUTION STANDARDS

APPROVAL L.MOEN	DESIGN CHK. A.UHREN	DRN. D.REDEKOPP CHKD. 2016-10-04	RESIDENTIAL CABLE MARKERS
DATE OF ISSUE	2016/11/08	DRAWING NO. B-30-21	
		SHEET 2 of 2	REV. B

**BILL OF MATERIAL**

ITEM NO.	CODE NO.	QUANTITY		DESCRIPTION
		A	B	
1	05 385 149	1	—	TAG HOLDER FOR POLY TAGS
2	05 385 20X	3	—	TAG NUMBER I.D. YELLOW POLYETHYLENE
2	05 385 209	1	—	TAG DASH I.D. YELLOW POLYETHYLENE
2	05 385 25X	5	—	TAG LETTER I.D. YELLOW POLYETHYLENE
3	70 29 09	2	2	TYRAP 7" BLACK WEATHERABLE
3	70 29 11	2	2	TYRAP 11" BLACK WEATHERABLE
3	7 69 64	0.02	—	SCREW WOOD – #14 x 2 1/2"
4	05 382 30X	—	3	MARKER – CABLE – SLEEVE TYPE – NUMBER
4	05 382 310	—	1	MARKER – CABLE – SLEEVE TYPE – DASH
4	05 382 3XX	—	5	MARKER – CABLE – SLEEVE TYPE – LETTER
5	05 382 380	—	1	MARKER – CABLE – SLEEVE TYPE STRIP – 10 DIGIT
6	05 385 100	1	—	CASE – STORAGE – FOR 1" TAGS (SEE NOTE 4)
6	05 382 382	—	1	MARKER-CABLE – CARRYING CASE (SEE NOTE 4)

**NOTES:**

1. COLUMN A IS FOR CABLE TAG HOLDERS FOR LARGE CONDUCTORS (SHEET 2).
2. COLUMN B IS FOR CABLE MARKER SLEEVES FOR SMALL CONDUCTORS (SHEET 3).
3. CONFIGURATOR DEFAULTS TO 11" TYRAP.
4. CARRYING CASE IS NOT INCLUDED IN CONFIGURATOR BOM.

**BACK TO INDEX PAGE**

**SaskPower - DISTRIBUTION STANDARDS**

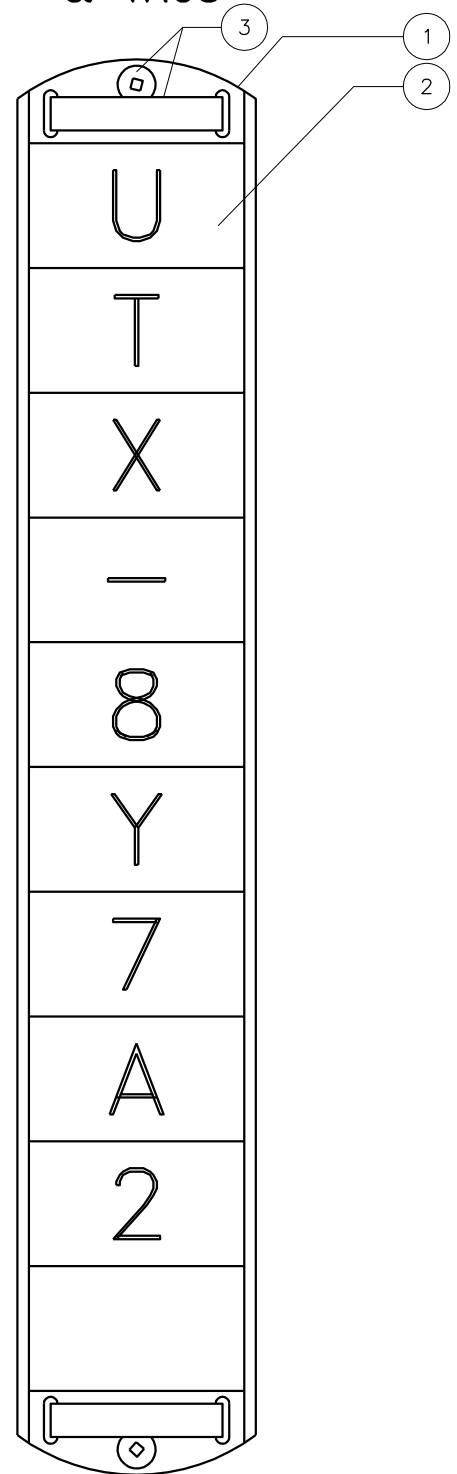
APPROVAL	DESIGN CHK	DRN. <b>DCD</b>	<b>CABLE IDENTIFICATION</b>
<b>L. MOEN</b>	<b>D. DONAIS</b>	CHKD.	
		<b>2018-12-14</b>	
DATE OF ISSUE	<b>06/14/18</b>	DRAWING NO. <b>B-30-26</b>	<b>SHEET 1 OF 3</b>   REV. <b>C</b>



## CABLE TAG HOLDER & TAGS

SPC CODE	DESCRIPTION
05 385 200	NUMBER "0"
05 385 201	NUMBER "1"
05 385 202	NUMBER "2"
05 385 203	NUMBER "3"
05 385 204	NUMBER "4"
05 385 205	NUMBER "5"
05 385 206	NUMBER "6"
05 385 207	NUMBER "7"
05 385 208	NUMBER "8"
05 385 209	SYMBOL "-"
05 385 251	LETTER "A"
05 385 252	LETTER "B"
05 385 253	LETTER "C"
05 385 254	LETTER "D"
05 385 255	LETTER "E"
05 385 256	LETTER "F"
05 385 257	LETTER "G"
05 385 258	LETTER "H"

SPC CODE	DESCRIPTION
05 385 259	LETTER "I"
05 385 260	LETTER "J"
05 385 261	LETTER "K"
05 385 262	LETTER "L"
05 385 263	LETTER "M"
05 385 264	LETTER "N"
05 385 265	LETTER "P"
05 385 266	LETTER "Q"
05 385 267	LETTER "R"
05 385 268	LETTER "S"
05 385 269	LETTER "T"
05 385 270	LETTER "U"
05 385 271	LETTER "V"
05 385 272	LETTER "W"
05 385 273	LETTER "X"
05 385 274	LETTER "Y"
05 385 275	LETTER "Z"



EXAMPLE OF POSSIBLE IDENTIFICATION NUMBER

**NOTE:**

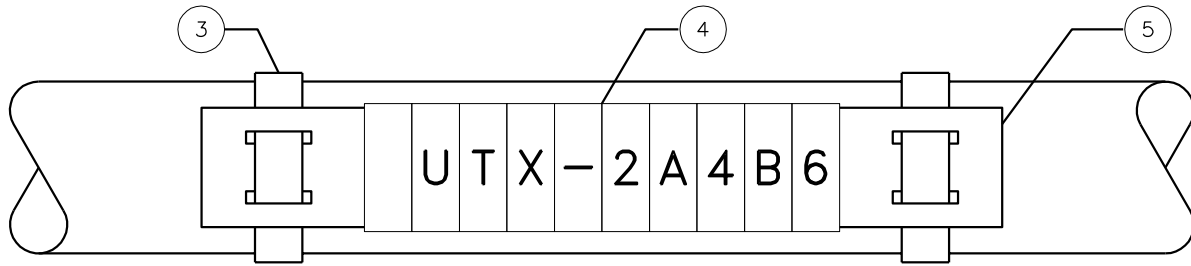
1. FOR PRIMARY CABLES, THE TAG HOLDER IS INSTALLED NEAR THE CABLE TERMINATION WITH TYRAPs.
2. FOR DIPS, THE TAG HOLDER SHALL BE INSTALLED NO LESS THAN 2.4m (8') ABOVE GRADE WITH WOOD SCREWS.
3. ALL CABLES INSIDE A CONCRETE MANHOLE VAULT SHALL BE LABELED SO THAT THE LABEL CAN BE SEEN WHEN LOOKING INTO THE MANHOLE FROM ABOVE GROUND.
4. CABLES SHALL BE LABELED USING CABLE TAG HOLDER AS SHOWN. IN SITUATIONS WHERE THE CABLE TAG HOLDER WILL NOT FIT IN CONFINED SPACES, THE CABLE MARKER SLEEVE MAY BE USED AS SHOWN ON SHEET 3.

APPROVED FOR CONSTRUCTION

**SaskPower** – DISTRIBUTION STANDARDS

	APPROVAL L.MOEN	DESIGN CHK. D.DONAIS	DRN.E.GOTANA CHKD. 2018-12-12	CABLE IDENTIFICATION
DATE OF ISSUE	06 FEB 2019	DRAWING NO.	B-30-26	SHEET 2 of 3
				REV. C

# MARKER CABLE SLEEVE



EXAMPLE OF POSSIBLE  
IDENTIFICATION NUMBER

SPC CODE	DESCRIPTION	SPC CODE	DESCRIPTION	SPC CODE	DESCRIPTION
05 382 300	NUMBER "0"	05 382 351	LETTER "B"	05 382 363	LETTER "N"
05 382 301	NUMBER "1"	05 382 352	LETTER "C"	05 382 365	LETTER "P"
05 382 302	NUMBER "2"	05 382 353	LETTER "D"	05 382 366	LETTER "Q"
05 382 303	NUMBER "3"	05 382 354	LETTER "E"	05 382 367	LETTER "R"
05 382 304	NUMBER "4"	05 382 355	LETTER "F"	05 382 368	LETTER "S"
05 382 305	NUMBER "5"	05 382 356	LETTER "G"	05 382 369	LETTER "T"
05 382 306	NUMBER "6"	05 382 357	LETTER "H"	05 382 370	LETTER "U"
05 382 307	NUMBER "7"	05 382 358	LETTER "I"	05 382 371	LETTER "V"
05 382 308	NUMBER "8"	05 382 359	LETTER "J"	05 382 372	LETTER "W"
05 382 309	NUMBER "9"	05 382 360	LETTER "K"	05 382 373	LETTER "X"
05 382 310	SYMBOL "-"	05 382 361	LETTER "L"	05 382 374	LETTER "Y"
05 382 350	LETTER "A"	05 382 362	LETTER "M"	05 382 375	LETTER "Z"

BACK TO INDEX PAGE

APPROVED FOR CONSTRUCTION

**SaskPower** – DISTRIBUTION STANDARDS

APPROVAL L.MOEN	DESIGN CHK. D.DONAIS	DRN.E.GOTANA CHKD. 2018-12-12	CABLE IDENTIFICATION
DATE OF ISSUE <b>06 FEB 2019</b>		DRAWING NO. B-30-26	SHEET 3 of 3    REV. 0