

STREET LIGHTS

DRAWING NUMBER	SHT.	DRAWING TITLE	DWG REV.	BOM REV.
B-20-00	1 – 1	GENERAL INFORMATION	0	-
B-20-05	1 – 1	LAMP CHARACTERISTICS	0	-
B-20-06	1 – 1	LIGHT DISTRIBUTION PATTERN	0	-
B-20-09	1 – 2	COLONIAL POST TOP LUMINAIRE	B	B
B-20-11	1 – 2	HIGH PRESSURE SODIUM VAPOUR LUMINAIRE	A	B
B-20-12	1 – 2	LOW PRESSURE SODIUM VAPOUR LUMINAIRE	0	0
B-20-13	1 – 2	LIGHT-EMITTING DIODE (LED) LUMINAIRE	A	A
B-20-15	1 – 2	STEEL STANDARD BASE INSTALLATION	C	D
B-20-16	1 – 2	STEEL STANDARD HANDHOLE CONNECTION	E	B
B-20-20	1 – 2	WEATHER PROOF OUTLET FOR STEEL STANDARD	A	0
B-20-21	1 – 2	UNDERGROUND 120V TAKE-OFF FOR LIGHTING	C	B
B-20-25	1 – 2	LIGHTING STANDARDS	A	B
B-20-26	1 – 1	DELINEATION LIGHTING AT RURAL INTERSECTIONS	0	-
B-20-27	1 – 1	DECORATIONS ON STREET LIGHT POLES	0	-
B-20-35	1 – 1	FUSING OF STREET LIGHT SUPPLY AT PEDESTAL	A	-
B-20-40	1 – 3	DECORATIVE LUMINAIRES	A / 0	B
B-20-41	1 – 3	DECORATIVE LIGHT STANDARDS	D / 0	C
B-20-42	1 – 2	DECORATIVE CONCRETE LIGHT STANDARD	A	A
B-20-43	1 – 2	STREETLIGHT STANDARD SECONDARY IN-CONCRETE PULL BOX	0	0

SaskPower - DISTRIBUTION STANDARDS

APPROVAL	DESIGN CHK	DRN. BG	INDEX
L MOEN	B GEBHART	CHKD.	
		2020-10-15	
DATE OF ISSUE: 2021-01-20		DRAWING NO: B-20-INDEX	SHEET 1 of 1 REV. V

STREET LIGHTS

1. FOR BALLAST CONNECTIONS REFER TO BALLAST NAMEPLATE OR INSTRUCTION SHEET.
2. FOR OVERHEAD STREET LIGHTING, REFER TO SECTION A-20.
3. AFTER INSTALLATION, THE LUMINAIRE IS TO BE ADJUSTED SO THAT IT IS LEVEL, UNLESS OTHERWISE SPECIFIED.
4. "MOUNTING HEIGHT" IS THE HEIGHT OF THE CENTER OF THE LUMINAIRE ABOVE THE SURFACE TO BE LIGHTED. THE MOUNTING HEIGHTS SHOWN ARE FOR INSTALLATIONS OTHER THAN DESIGNED LIGHTING SYSTEMS. SEE 5 BELOW.
5. CUSTOMER REQUESTS FOR DETAILED LIGHTING DESIGNS SHOULD BE REFERRED TO THE REGION ENGINEERING OFFICE.
6. FUSING OF OVERHEAD STREET LIGHT FEEDS, IF REQUIRED, SHOULD BE AT THE SOURCE POINT. USE A 15 AMP FUSE (7-52-25) AND WEATHERPROOF FUSE HOLDER (71-95-05) WITH CONNECTORS (5-09-XX) AS REQUIRED.

BACK TO INDEX PAGE

SASKATCHEWAN POWER CORP. – DISTRIBUTION ENGINEERING STANDARDS

DRN. N.J.C.	DESIGN CHK.	SAFETY APP.	APPROVAL	GENERAL INFORMATION	
CHKD. <i>FTK</i>					
DATE 87-04-24	DATE	DATE	DATE		
DATE OF ISSUE 87-06-01			DRAWING NO. B-20-00	SHEET 1 OF 1	REV. 0

STREET LIGHT DESIGN CRITERIA

MAXIMUM (OPERATING OR STARTING) CURRENT

LUMINAIRE TYPE	MERCURY VAPOUR				LOW PRESSURE SODIUM VAPOUR			HIGH PRESSURE SODIUM VAPOUR				
	125 W	175 W	250 W	400 W	90 W	135 W	180 W	70 W	100 W	150 W	250 W	400 W
120 VOLT	1.60	1.80	2.40	4.00	1.40	2.00	2.90	0.85	1.16	1.70	2.80	4.20
240 VOLT	0.80	0.90	1.20	2.00	0.70	1.00	1.45	0.43	0.58	0.85	1.40	2.10

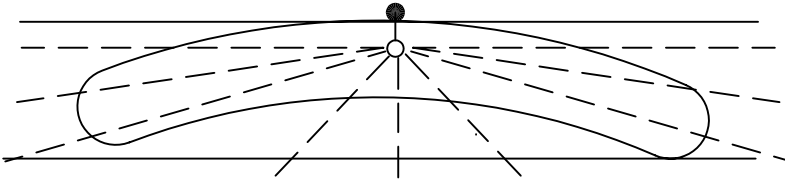
LIGHT SOURCE & RATED LAMP LIFE COMPARISONS

TYPE OF LAMP	TRUE WATTS *	RATED INITIAL LUMENS	RATED LAMP LIFE
100 WATT INCANDESCENT	100	1,640	1,000 HOURS
200 WATT INCANDESCENT	200	3,800	1,000 HOURS
300 WATT INCANDESCENT	300	5,750	1,000 HOURS
125 WATT MERCURY VAPOUR	160	6,350	24,000 HOURS
175 WATT MERCURY VAPOUR	205	7,900	24,000 HOURS
250 WATT MERCURY VAPOUR	285	12,100	24,000 HOURS
400 WATT MERCURY VAPOUR	460	21,000	24,000 HOURS
90 WATT LOW PRESSURE SODIUM VAPOUR	125	13,500	18,000 HOURS
135 WATT LOW PRESSURE SODIUM VAPOUR	160	22,500	18,000 HOURS
180 WATT LOW PRESSURE SODIUM VAPOUR	210	33,000	18,000 HOURS
70 WATT HIGH PRESSURE SODIUM VAPOUR	100	5,800	24,000 HOURS
100 WATT HIGH PRESSURE SODIUM VAPOUR	130	9,500	24,000 HOURS
150 WATT HIGH PRESSURE SODIUM VAPOUR	190	16,000	24,000 HOURS
250 WATT HIGH PRESSURE SODIUM VAPOUR	318	27,500	24,000 HOURS
400 WATT HIGH PRESSURE SODIUM VAPOUR	480	50,000	24,000 HOURS

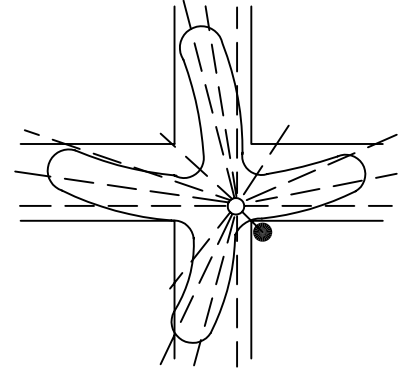
* INCLUDES BALLAST

SASKATCHEWAN POWER CORP. – DISTRIBUTION ENGINEERING STANDARDS

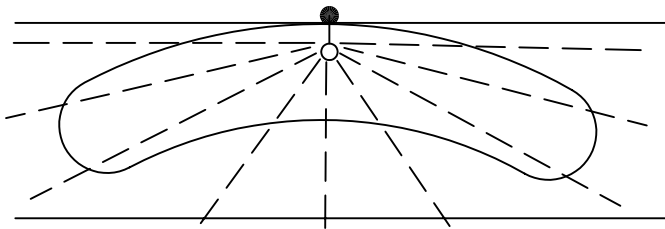
DRN. N.J.C.	DESIGN CHK.	SAFETY APP.	APPROVAL	LAMP CHARACTERISTICS	
CHKD. <i>FTK</i>					
DATE 87-04-24	DATE	DATE	DATE		
DATE OF ISSUE	87-06-01	DRAWING NO.	B-20-05	SHEET 1 OF 1	REV. 0



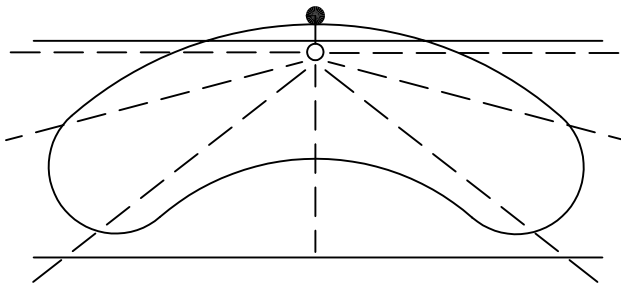
TYPE II



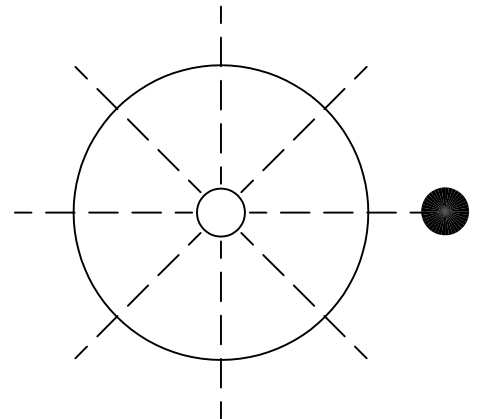
TYPE II 4-WAY



TYPE III



TYPE IV



IES TYPE V
DISTRIBUTION

SASKATCHEWAN POWER CORP. — DISTRIBUTION ENGINEERING STANDARDS

DRN. <i>B</i>	DESIGN CHK.	SAFETY APP.	APPROVAL	LIGHT DISTRIBUTION PATTERN
CHKD. <i>FTK</i>				
DATE 87-05-20	DATE	DATE	DATE	
DATE OF ISSUE 87-06-01	DRAWING NO. B-20-06		SHEET 1 of 1	REV. 0

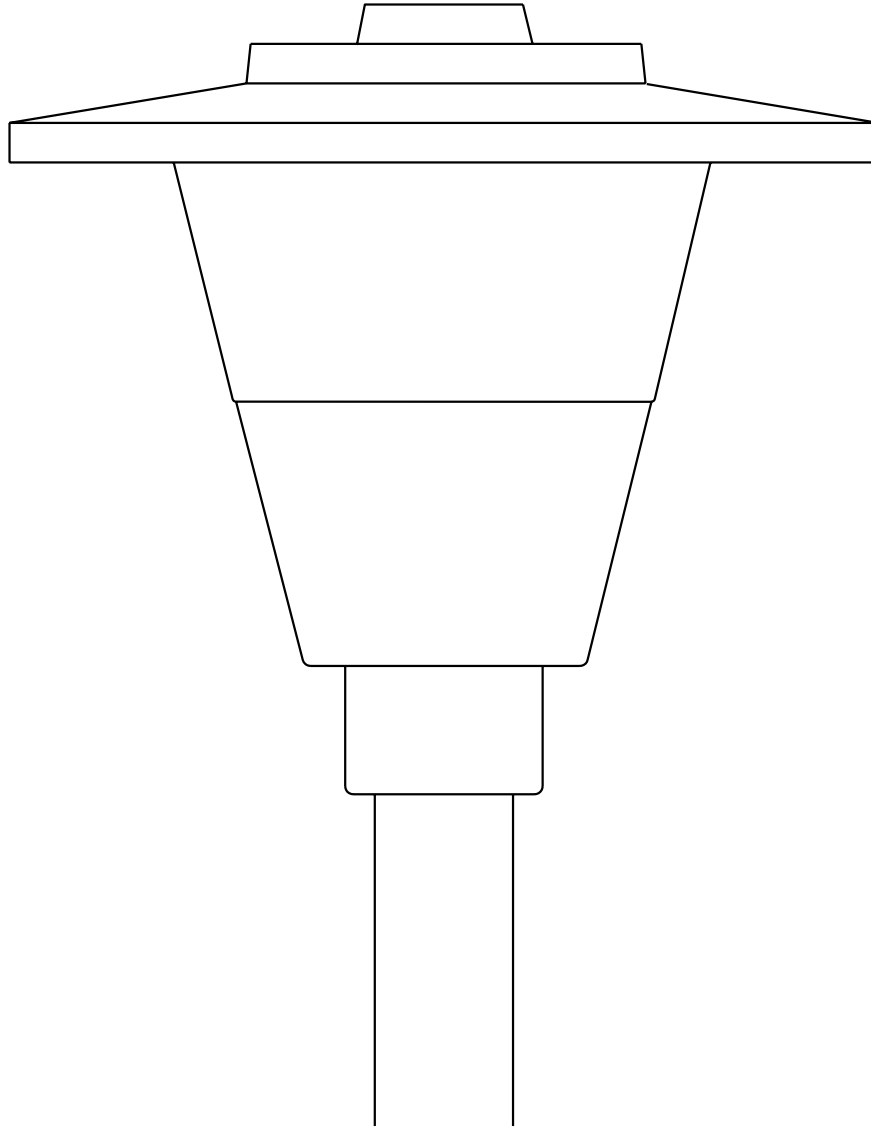
BILL OF MATERIAL

ITEM NO.	CODE NO.	QUANTITY	DESCRIPTION
1	3 16 40	1	PHOTO CONTROL - 120 VOLT
1	3 45 30	1	SHORTING CAP
2	3 43 10	1	LUMINAIRE - COLONIAL POST TOP - 100 WATT HPSV TYPE V
3	7 62 50	1	LAMP - 100 WATT HPSV

BACK TO INDEX PAGE

SaskPower - DISTRIBUTION STANDARDS

DRN.	DESIGN CHK.	APPROVAL	COLONIAL POST TOP LUMINAIRE
CHKD.			
DATE	DATE	DATE	
DATE OF ISSUE: 2003/05/30		DRAWING NO: B-20-09	SHEET 1 OF 2
			REV. B



NOTE:
SUGGESTED MOUNTING HEIGHT: 4.28 (14')

SCALE: N.T.S. ALL DIMENSIONS ARE IN MILLIMETRES UNLESS OTHERWISE INDICATED

SaskPower – DISTRIBUTION STANDARDS

DRNA. JUTTLA	DESIGN CHK.	APPROVAL	COLONIAL POST TOP LUMINAIRE	
CHKD.				
DATE	DATE	DATE		
DATE OF ISSUE: 2003/05/30		DRAWING NO. B-20-09	SHEET 2 OF 2	REV. B

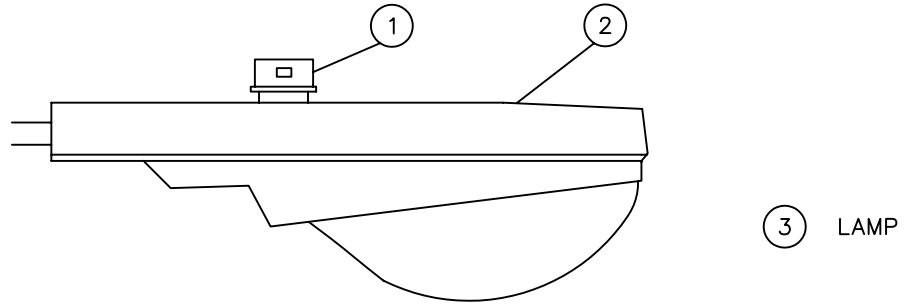
BILL OF MATERIAL

ITEM NO.	CODE NO.	QUANTITY	DESCRIPTION
1	3 16 40	1	PHOTO CONTROL - 120 VOLT
1	3 45 30	1	SHORTING CAP
2	3 42 06	1	LUMINAIRE - HPSV - 70 WATT - TYPE V
2	3 42 07	1	LUMINAIRE - HPSV - 70 WATT - TYPE II
2	3 42 08	1	LUMINAIRE - HPSV - 70 WATT - TYPE II FOUR-WAY
2	3 42 10	1	LUMINAIRE - HPSV - 100 WATT - TYPE II
2	3 42 11	1	LUMINAIRE - HPSV - 100 WATT - TYPE II - FULL CUTOFF
2	3 42 16	1	LUMINAIRE - HPSV - 150 WATT - TYPE III - FULL CUTOFF
2	3 42 25	1	LUMINAIRE - HPSV - 250 WATT - TYPE III
2	3 42 26	1	LUMINAIRE - HPSV - 250 WATT - TYPE III - FULL CUTOFF
2	3 42 40	0	LUMINAIRE - HPSV - 400 WATT - TYPE III - OBSOLETE USE 34242
3	7 62 47	1	LAMP - HPSV - 70 WATT
3	7 62 50	1	LAMP - HPSV - 100 WATT
3	7 62 52	1	LAMP - HPSV - 150 WATT
3	7 62 55	1	LAMP - HPSV - 250 WATT
3	7 62 60	1	LAMP - HPSV - 400 WATT

BACK TO INDEX PAGE

SaskPower - DISTRIBUTION STANDARDS

APPROVAL	DESIGN CHK	DRN. BG	HIGH PRESSURE SODIUM VAPOUR LUMINAIRE
L MOEN	B. GEBHART	CHKD. LM	
		07/29/2020	
DATE OF ISSUE: 2021-01-20	DRAWING NO: B-20-11	SHEET 1 OF 2	REV. B



MOUNTING HEIGHT

LUMINAIRE	RECOMMENDED
70 WATT	7.6m
100 WATT	9.1m
150 WATT	10.7m
250 WATT	10.7m
400 WATT	12.2m

SASKATCHEWAN POWER CORP. – DISTRIBUTION ENGINEERING STANDARDS

DRN. A.B.W.	DESIGN CHK.	SAFETY APP.	APPROVAL	HIGH PRESSURE SODIUM VAPOUR LUMINAIRE	
CHKD. <i>FTK</i>					
DATE 87-05-29	DATE	DATE	DATE		
DATE OF ISSUE			DRAWING NO. B-20-11	SHEET 2 OF 2	REV. A

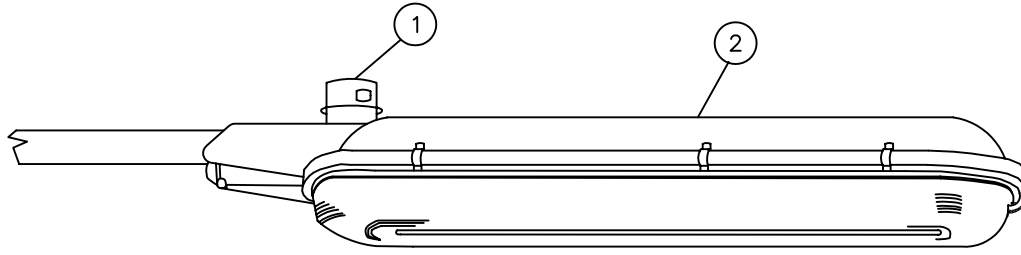
BILL OF MATERIAL

ITEM NO.	CODE NO.	QUANTITY	DESCRIPTION
1	3-16-40	1	PHOTO CONTROL -120 VOLT
1	3-16-40	1	PHOTO CONTROL -240 VOLT
1	3-45-30	1	SHORTING CAP
2	3-41-09	1	LUMINAIRE -90 WATT LPSV
2	3-41-13	1	LUMINAIRE -135 WATT LPSV
2	3-41-15	1	LUMINAIRE -180 WATT LPSV
2	3-41-18	1	LUMINAIRE -180 WATT LPSV 240 VOLT
3	7-62-14	1	LAMP -90 WATT
3	7-62-16	1	LAMP -135 WATT
3	7-62-18	1	LAMP -180 WATT

BACK TO INDEX PAGE

SaskPower - DISTRIBUTION STANDARDS

DRN.	DESIGN CHK.	APPROVAL	LOW PRESSURE SODIUM VAPOUR LUMINAIRE
CHKD.			
DATE		DATE	
DATE OF ISSUE 87-06-01		DRAWING NO: B-20-12	SHEET 1 of 2 REV. 0



③ LAMP

MOUNTING HEIGHT

LUMINAIRE	RECOMMENDED
90 WATT	10.7m
135 WATT	10.7m
180 WATT	12.2m

SASKATCHEWAN POWER CORP. – DISTRIBUTION ENGINEERING STANDARDS

DRN. A.B.W	DESIGN CHK.	SAFETY APP.	APPROVAL	LOW PRESSURE SODIUM VAPOUR LUMINAIRE	
CHKD. <i>FTK</i>					
DATE 87-06-02	DATE	DATE	DATE		
DATE OF ISSUE 87-06-01			DRAWING NO. B-20-12	SHEET 2 OF 2	REV. 0

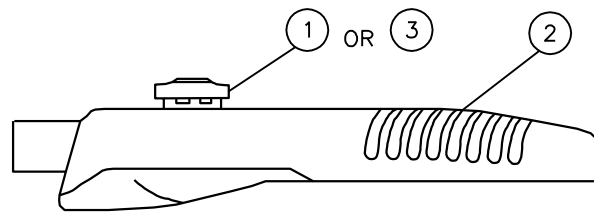
BILL OF MATERIAL

ITEM NO.	CODE NO.	QUANTITY	DESCRIPTION
1	3 16 43	1	PHOTO CONTROL-120/240V LONG LIFE
2	3 42 12	1	LUMINAIRE - LED 5500LM TYPE II
2	3 42 17	1	LUMINAIRE - LED 8000LM TYPE III
2	3 42 28	1	LUMINAIRE - LED 15000LM TYPE III
2	3 42 42	1	LUMINAIRE - LED 30000LM TYPE III
3	3 45 30	1	PHOTO CONTROL SHORTING CAP

BACK TO INDEX PAGE

SaskPower - DISTRIBUTION STANDARDS

APPROVAL L. MOEN	DESIGN CHK A. UHREN	DRN. ARU CHKD.	LIGHT-EMITTING DIODE (LED) LUMINAIRE
		2017-05-16	
DATE OF ISSUE:	2017/08/31	DRAWING NO: B-20-13	SHEET 1 OF 2 REV. A



LUMINAIRE COMPARISON

CODE	LUMINAIRE	REPLACES
34212	5500 LM	70/100W HPSV (CODE 34207/34210/34211)
34217	8000 LM	150W HPSV (CODE 34215/34216)
34228	15000 LM	250W HPSV (CODE 34225/34226)
34242	30000 LM	400W HPSV (CODE 34240/34241)

NOTE:

1. REFER TO SEP 4 FOR DETAILS REGARDING SPACING AND MOUNTING HEIGHTS

SaskPower – DISTRIBUTION STANDARDS					
APPROVAL L.MOEN	DESIGN CHK. A.UHREN	DRN. E.GOTANA CHKD.	LIGHT-EMITTING DIODE (LED) LUMINAIRE		
		2017-05-30			
DATE OF ISSUE	2017/08/31	DRAWING NO.	B-20-13	SHEET 2 of 2	REV. A

BILL OF MATERIAL

ITEM NO.	CODE NO.	QUANTITY		DESCRIPTION
		A	B	
1	3 90 00	1	1	PRECAST CONC. BASE (4.28 m (14') - 10.7 m (35') STD)
1	3 90 02	1	1	PRECAST CONC. BASE (12.2 m (40') AND ABOVE STD)
2	3 90 10	--	1	BASE BREAKAWAY (4.28 m (14') - 10.7 m (35') STD)
2	3 90 12	--	1	BASE BREAKAWAY (12.2 m (40') AND ABOVE STD)
<p>NOTE:</p> <ol style="list-style-type: none"> COLUMN A IS FOR A PRECAST BASE. COLUMN B IS FOR A PRECASE BASE WITH BREAKAWAY BASE. COLUMN B SHALL BE USED IN HIGH VEHICLE TRAFFIC AREAS WITH LOW PEDESTRIAN ACCESS. BREAKAWAY BASE SHALL HAVE B-20-16 C WIRING. 				

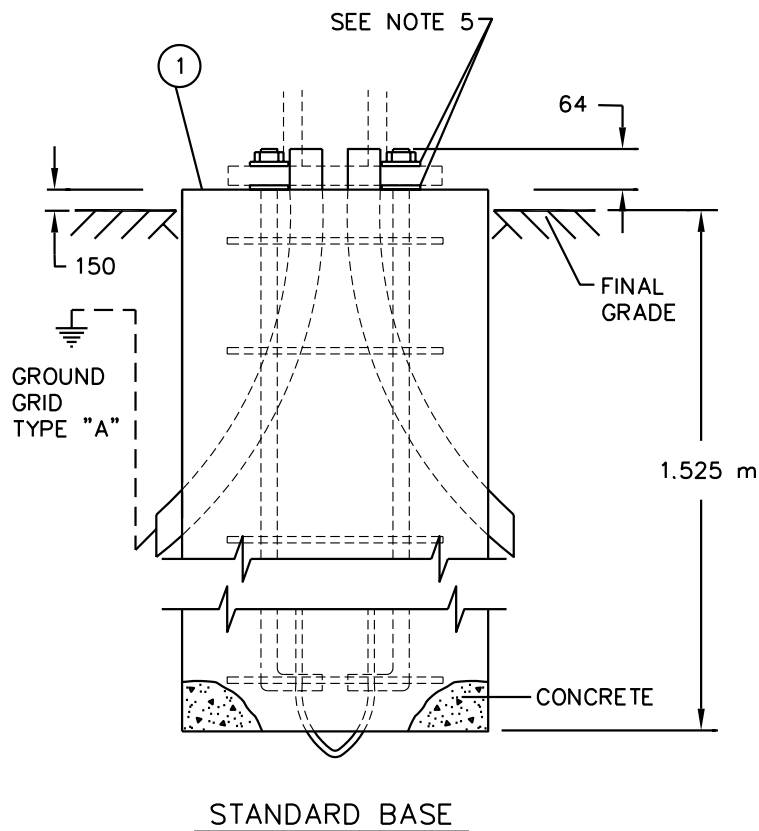
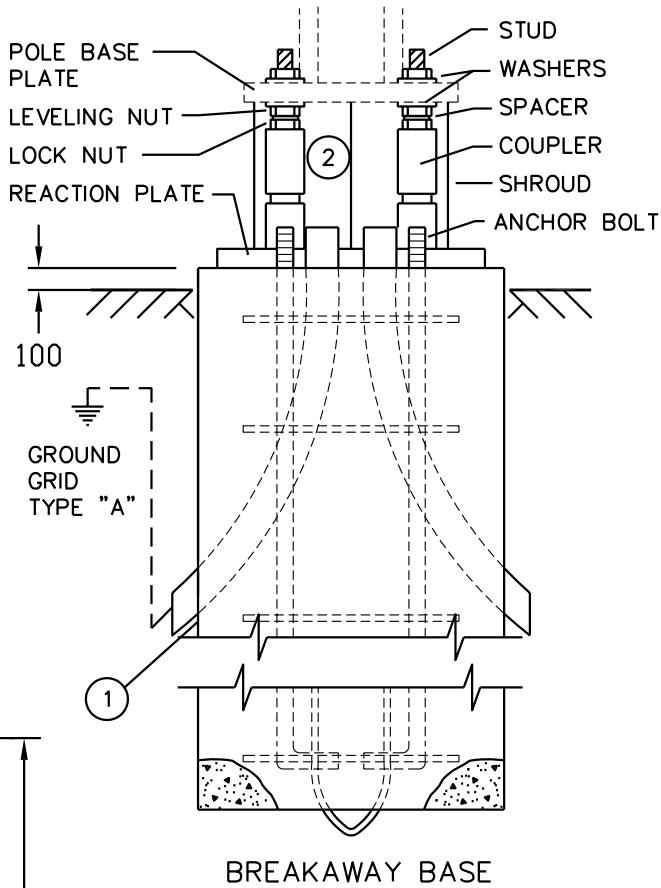
BACK TO INDEX PAGE

SaskPower - DISTRIBUTION STANDARDS

DRN.	DESIGN CHK.	APPROVAL	STEEL STANDARD BASE INSTALLATION
CHKD.			
DATE	DATE	DATE	
DATE OF ISSUE: 2003/05/30		DRAWING NO: B-20-15	SHEET 1 OF 2 REV. D

CAUTION

REACTION PLATE MUST BE
INSTALLED AS SHOWN FOR
PROPER BREAK AWAY OPERATION



NOTE:

1. FOR GROUNDING DETAIL SEE SECTION B-33-XX.
2. GROUND GRID TYPE A NOT REQUIRED WHEN SEPARATE SAFETY GROUND IS PROVIDED.
3. HOLE BOTTOM FOR PRECAST BASE TO BE LEVELLED USING GRAVEL, AND TAMPED TO CORRECT DEPTH.
4. FOR OVERSIZED HOLES FILL IN SPACE USING GRAVEL AND TAMP.
5. INSTALL WASHERS ABOVE AND BELOW STREETLIGHT BASEPLATE.

SCALE: N.T.S. ALL DIMENSIONS ARE IN MILLIMETRES UNLESS OTHERWISE INDICATED

Sask Power - DISTRIBUTION STANDARDS

DRN. J.C.K.	DESIGN CHK.	APPROVAL	STEEL STANDARD BASE INSTALLATION
CHKD.			
DATE 03/02/10	DATE	DATE	
DATE OF ISSUE: 2003/05/30	DRAWING NO. B-20-15	SHEET 2 of 2	REV. C

BACK TO INDEX PAGE

BILL OF MATERIAL

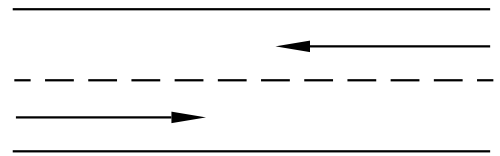
ITEM NO.	CODE NO.	QUANTITY			DESCRIPTION
		A	B	C	
1	2 83 04	2m	2m	2m	WIRE – CU #4/7 STR
2	3 12 14	11m	11m	11m	CABLE – #12 PVC MID-RIP (SEE NOTE 1)
3	3 45 50	1	1	1	FUSE CARTRIDGE 6 AMP TIME DELAY CL
4	3 45 51	1	1	1	IN LINE FUSE HOLDER FOR CL FUSE
5	5 09 00	2	0	0	CONNECTOR AL – CRIMPIT (WR9)
6	5 09 27	1	3	3	CONNECTOR AL – CRIMPIT (508)
7	7 72 33	1/10	1/10	1/10	TAPE (ROLL)
8	70 40 11	1	1	2	SPLICE – BUCHANAN
9	70 40 17	1	1	2	INSULATOR – BUCHANAN
10	71 96 51	0	0	1	CONNECTOR 3 – WIRE CORD – FEMALE
11	71 96 62	0	0	1	CONNECTOR 3 - WIRE CORD – MALE
<p>NOTE:</p> <p>1. 11 m IS FOR 9.1 m (30') POLE. 12 m IS FOR 10.7 m (35') POLE. 13 m IS FOR 12.2 m (40') POLE. 15 m IS FOR 13.7 m (45') POLE.</p> <p>2. ITEMS 3 AND 4 ARE BASED ON USE OF #4 AL STREET LIGHT CABLE. SEE SECTION B-36 FOR OTHER CONNECTORS.</p> <p>3. COLUMNS A, B, AND C REFER TO WIRING CONFIGURATIONS ON SHEET 2.</p>					

BACK TO INDEX PAGE

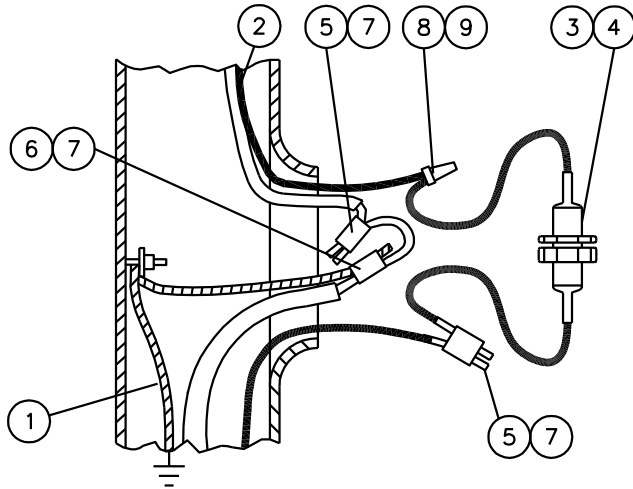
SaskPower - DISTRIBUTION STANDARDS

DRN.	DESIGN CHK.	APPROVAL	STEEL STANDARD HANDHOLE CONNECTION				
CHKD.		DATE					
DATE	DATE						
DATE OF ISSUE	2009/06/29	DRAWING NO.	B-20-16	SHEET	1 of 2	REV.	B

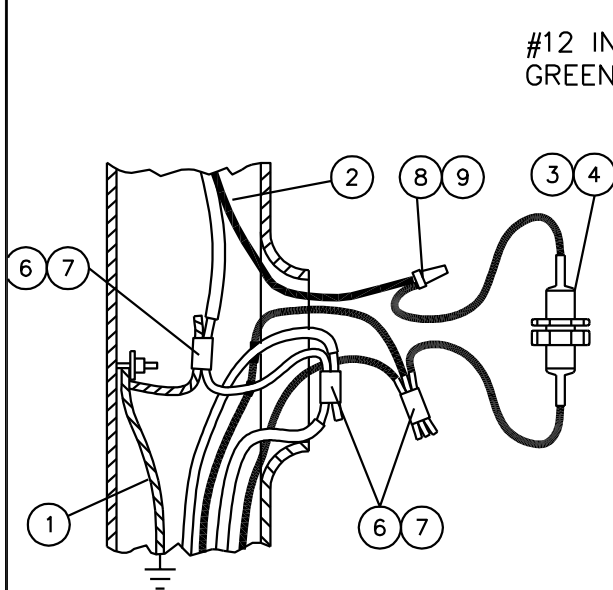
APPARATUS USED HERE



HAND HOLE TO BE LOCATED AWAY FROM ONCOMING TRAFFIC

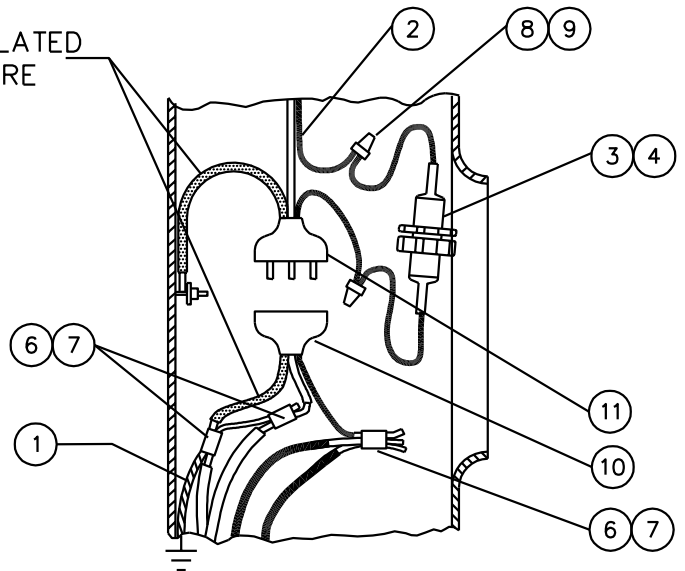


(A) SINGLE ENDED CONTROL



(B) LOOPED CONTROL

#12 INSULATED GREEN WIRE



(C) WIRING FOR BREAKAWAY POLE

NOTES

1. ALL LUMINAIRES WILL BE FUSED AS SHOWN, UNLESS OTHERWISE SPECIFIED.
2. ALSO FUSE AT SUPPLY AS SHOWN IN B-20-35.
3. UNDERGROUND DIPS FOR LIGHTING FROM OVERHEAD CONTROL, FUSE AT TAKE-OFF POINT WITH WEATHERPROOF FUSE AND FUSE HOLDER.
4. CONTROL MAY BE SWITCHED AND METERED AT SUPPLY POINT 120 VOLT OR 120/240 VOLTS.
5. FOR GROUNDING DETAILS SEE SECTION B-33 AND DWG. B-20-15 SHT. 2.
6. DECORATIVE WIRING - PROVIDE WIRE WHERE NECESSARY AS REQUESTED BY CUSTOMER.

BACK TO INDEX PAGE

SaskPower - DISTRIBUTION STANDARDS

APPROVAL	DESIGN CHK.	DRN. C.D.F.	STEEL STANDARD HANDHOLE CONNECTION
		CHKD.	
		DATE	
DATE OF ISSUE: 2011-04-01		DRAWING NO. B-20-16	SHEET 2 of 2
			REV. E

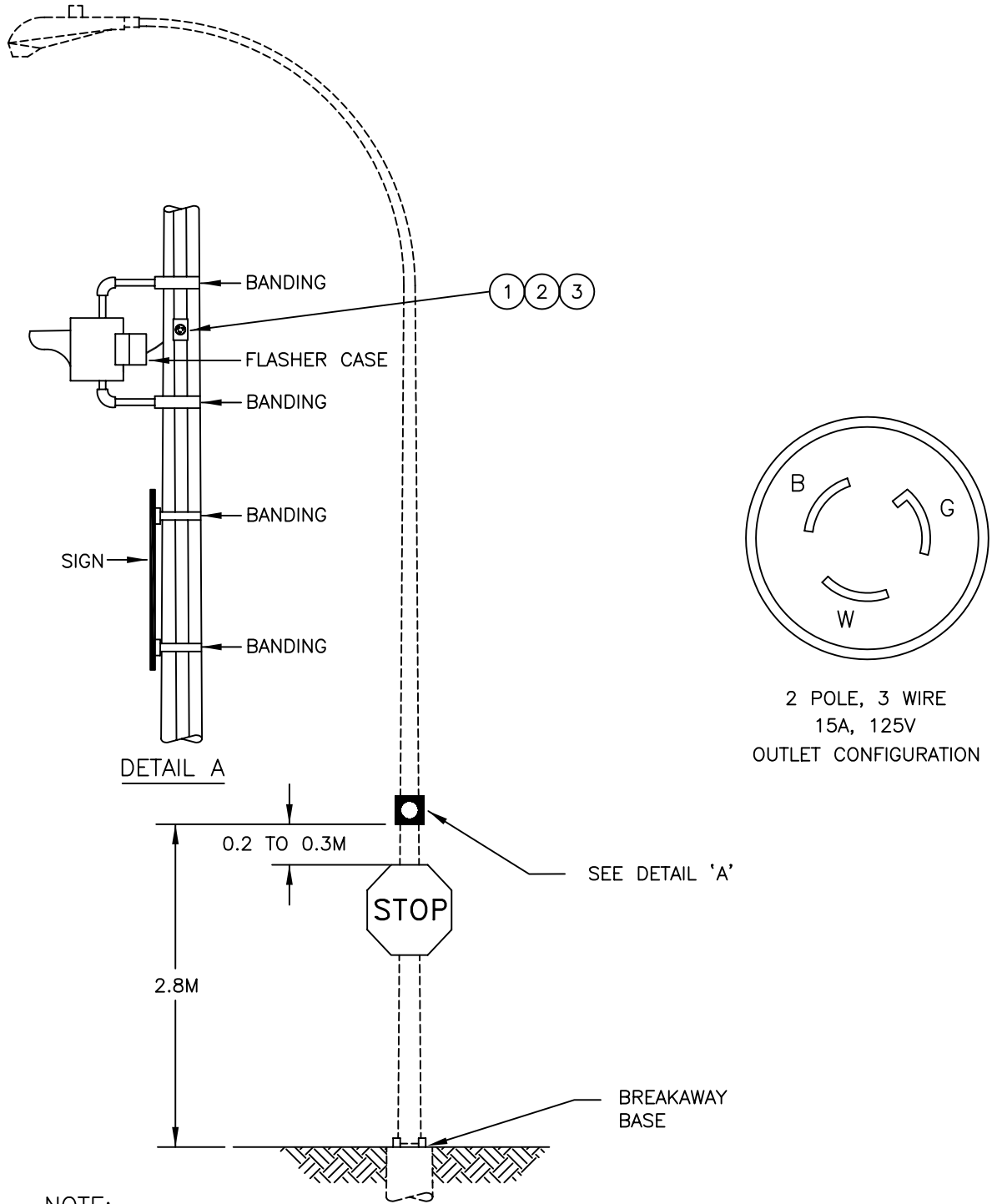
BILL OF MATERIAL

ITEM NO.	CODE NO.	QUANTITY	DESCRIPTION
1	Purchase Locally	1	BOX F.S. - CAST ALUMINUM (HUBBELL 270-LGR)
2	Purchase Locally	1	RECEPTACLE - SINGLE TWISTLOCK (HUBBELL 4710)
3	Purchase Locally	1	COVER PLATE-WEATHERPROOF WHEN OPEN (HUBBELL 7423-WO)
			<p>NOTE: 1. EQUIVALENT MANUFACTURER SUBSTITUTION IS PERMITTED.</p>

BACK TO INDEX PAGE

SaskPower - DISTRIBUTION STANDARDS

DRN.	DESIGN CHK.	APPROVAL	WEATHERPROOF OUTLET FOR STEEL STANDARD	
CHKD.				
DATE	DATE	DATE		
DATE OF ISSUE 96-07-26		DRAWING NO: B-20-20	SHEET 1 OF 2	REV. 0



SCALE: N.T.S. ALL DIMENSIONS ARE IN MILLIMETRES UNLESS OTHERWISE INDICATED

SaskPower - DISTRIBUTION STANDARDS

DRN. M.T.S.	DESIGN CHK.	APPROVAL	WEATHER PROOF OUTLET FOR STEEL STANDARD
CHKD.			
DATE	DATE	DATE	
DATE OF ISSUE	DRAWING NO. B-20-20		SHEET 2 OF 2
			REV. A

BILL OF MATERIAL

ITEM NO.	CODE NO.	QUANTITY	DESCRIPTION
1	1 34 09	3	GUARD CABLE PLASTIC - 2 1/2" x 8'
2	1 34 11	1	GUARD CABLE STEEL - 2 1/2" x 8'
3	1 78 38	10	SCREWS LAG - 3/8" x 4"
4	1 85 02	4	STAPLE MOULDING - 1" x 3"
5	2 09 XX	2	COMPRESSION CONNECTOR (SEE NOTE 1)
5	2 65 94	2	HYLUGS - #4
6	2 94 51	2 m	CABLE - #4 - DUPLEX
7	7 53 30	1	FUSE CARTRIDGE - 30A 600 V HRC TYPE C
8	7 69 64	0.34	SCREW WOOD - #14 x 2 1/2" (BOX)
9	71 01 10	1	FUSE HOLDER
10	05 640 000	1	SIGN DANGER - HIGH VOLTAGE ZONE

NOTES:

1. REQUIRED WHEN TAKE-OFF IS FROM OVERHEAD SECONDARY.

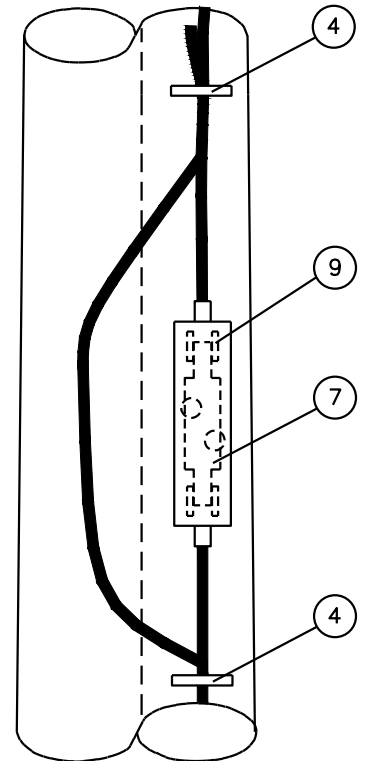
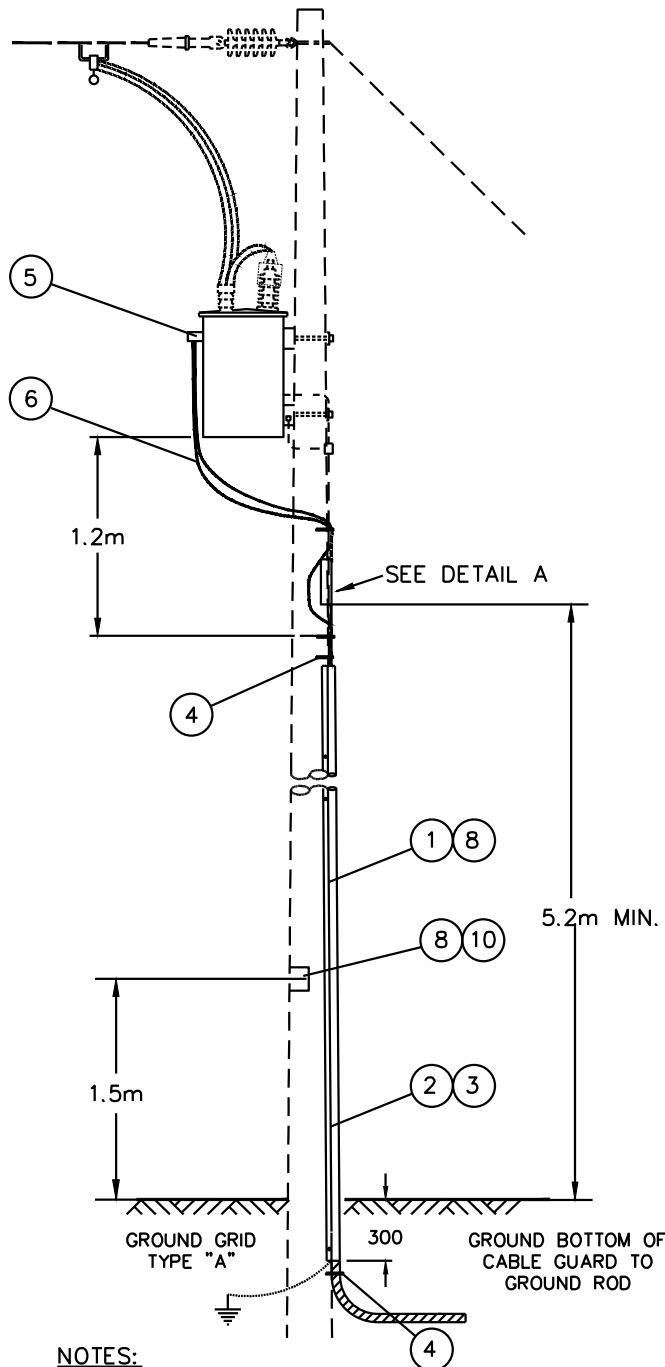
BACK TO INDEX PAGE

SaskPower - DISTRIBUTION STANDARDS

APPROVAL	DESIGN CHK	DRN. DCD	UNDERGROUND 120V TAKE-OFF FOR LIGHTING
L. MOEN	D. DONAIS	CHKD.	
		2018-02-15	
DATE OF ISSUE:	2018-02-20	DRAWING NO: B-20-21	SHEET 1 OF 2 REV. B

BACK TO INDEX PAGE

FOR TRANSFORMERS WITH SPADE TYPE CONNECTORS SEE DRAWING B-08-31, BOX A



DETAIL A

NOTES:

1. THE FUSE HOLDER IS THE POINT OF SERVICE FOR ANY DEPARTMENT OF HIGHWAYS:
 - (i) FLASHING LIGHTS (EXCEPT THOSE ON SASKPOWER INSTALLED DELINEATION LIGHTS)
 - (ii) HIGHWAY DIRECTIONAL SIGNS.
2. DEPT OF HIGHWAY'S CONTRACTOR TO LEAVE SUFFICIENT LENGTH OF CABLE AT THE BASE OF THE POLE. SASKPOWER WILL INSTALL THE WIRE ON THE POLE. J FORM IS REQUIRED.
3. THE CONDUCTOR IS NOT TO BE LARGER THAN #4.
4. GROUND THE CABLE GUARD TO GROUND GRID.
5. TRENCH FOR CABLE TAKE-OFF TO BE INLINE WITH OVERHEAD CIRCUIT FOR AT LEAST 1.2m TO HELP AVOID LEAN DUE TO TRENCH BACKFILL.

SCALE: N.T.S. ALL DIMENSIONS ARE IN MILLIMETRES UNLESS OTHERWISE INDICATED

B20_21_02

SaskPower – DISTRIBUTION STANDARDS

APPROVAL L.MOEN	DESIGN CHK. L.MOEN	DRN.E.GOTANA CHKD. 2020-02-11	UNDERGROUND 120V TAKE-OFF FOR LIGHTING
DATE OF ISSUE 2021-01-20	DRAWING NO. B-20-21	SHEET 2 of 2	
			REV. D

BILL OF MATERIAL

ITEM NO.	CODE NO.	QUANTITY			DESCRIPTION
		A	B	C	
1	2 32 02	0	0	1	BRACKET – SECONDARY/NEUTRAL
2	3 60 14	0	1	0	POST TOP STANDARD – BLACK – 4.28 m (14')
2	3 60 15	0	1	0	POST TOP STANDARD – SELF WEATHERING – 4.28 m (14')
3	3 60 26	1	0	1	STEEL STANDARD – GALVANIZED – 7.6 m (25')
3	3 60 31	1	0	1	STEEL STANDARD – GALVANIZED – 9.1 m (30')
3	3 60 37	1	0	1	STEEL STANDARD – GALVANIZED – 10.7 m (35')
3	3 60 36	1	0	1	STEEL STANDARD – SELF WEATHERING – 10.7 m (35')
3	3 61 41	1	0	1	STEEL STANDARD – GALVANIZED – 12.2 m (40')
3	3 61 46	1	0	1	STEEL STANDARD – GALVANIZED – 13.7 m (45')
4	PURCHASE LOCALLY	0	0	1	STRAP – BANDING CLIP

NOTE:

COLUMN A: STEEL STD UNDERGROUND CONTROL

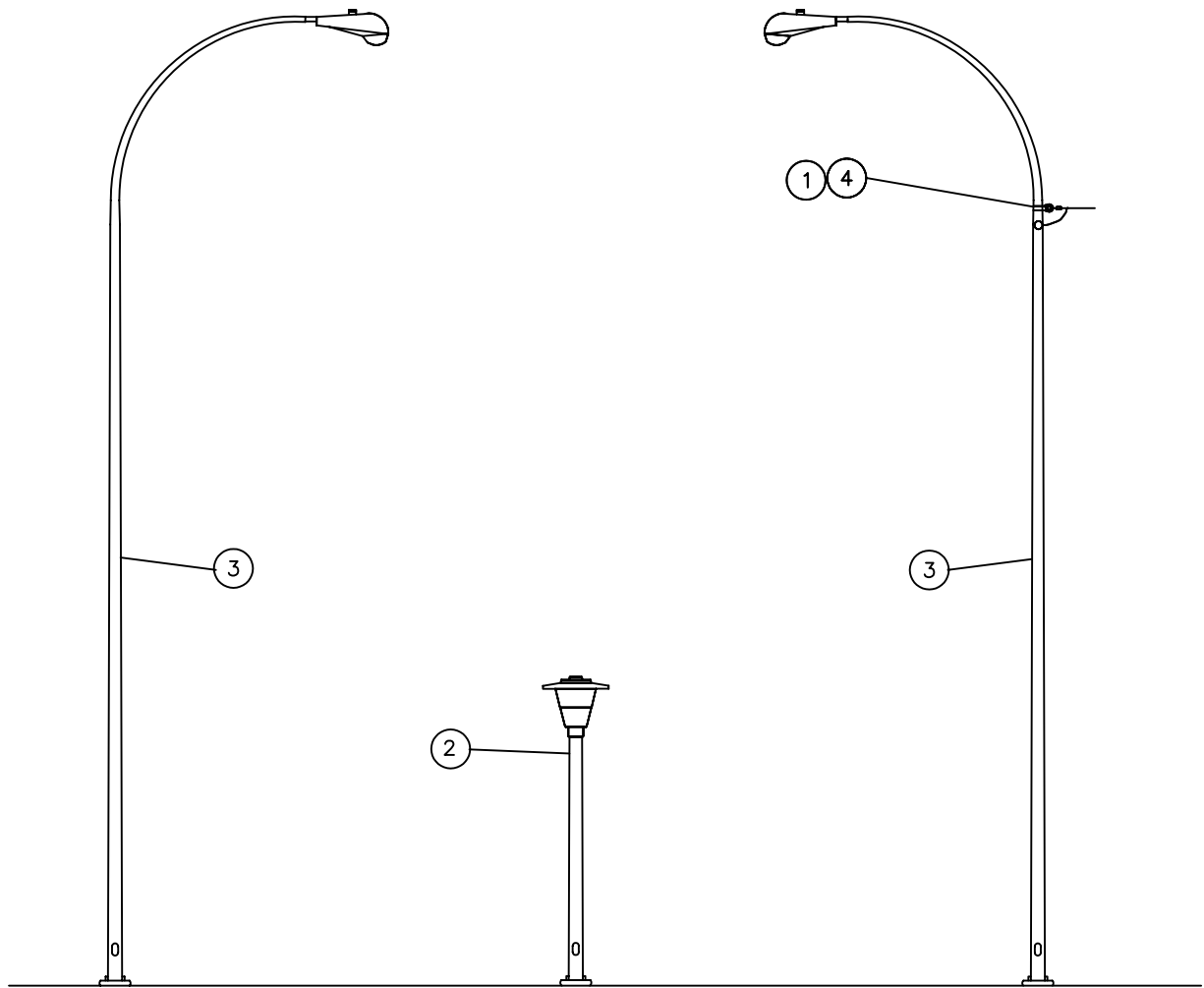
COLUMN B: POST TOP LUMINAIRE

COLUMN C: STEEL STD OVERHEAD CONTROL

BACK TO INDEX PAGE

SaskPower - DISTRIBUTION STANDARDS

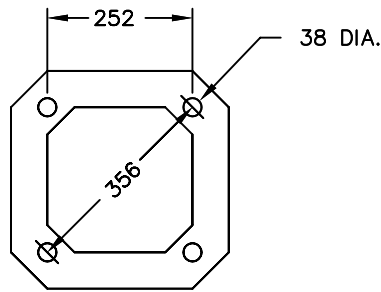
APPROVAL	DESIGN CHK	DRN. BG	LIGHTING STANDARDS
L MOEN	B. GEBHART	CHKD. LM	
		07/30/2020	
DATE OF ISSUE: 2021-01-20	DRAWING NO. B-20-25	SHEET 1 OF 2	REV. B



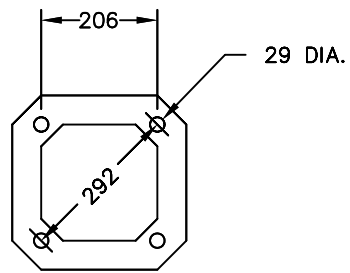
A- STEEL STANDARD UNDERGROUND CONTROL

B- POST TOP LUMINAIRE UNDERGROUND CONTROL

C- STEEL STANDARD OVERHEAD CONTROL SEE NOTE 1



FOR POLES FROM 12.2m TO 13.7m



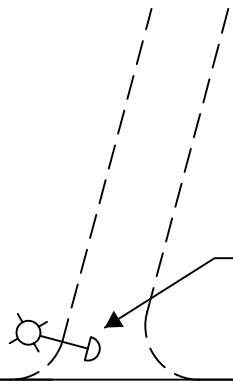
FOR POLES FROM 4.28m TO 10.7m

NOTE: 1. STREET LIGHT STANDARD -C- NOT RECOMMENDED FOR FUTURE USE UNLESS CUSTOMER SPECIFICALLY REQUESTS IT.

SCALE: N.T.S. ALL DIMENSIONS ARE IN MILLIMETRES UNLESS OTHERWISE INDICATED

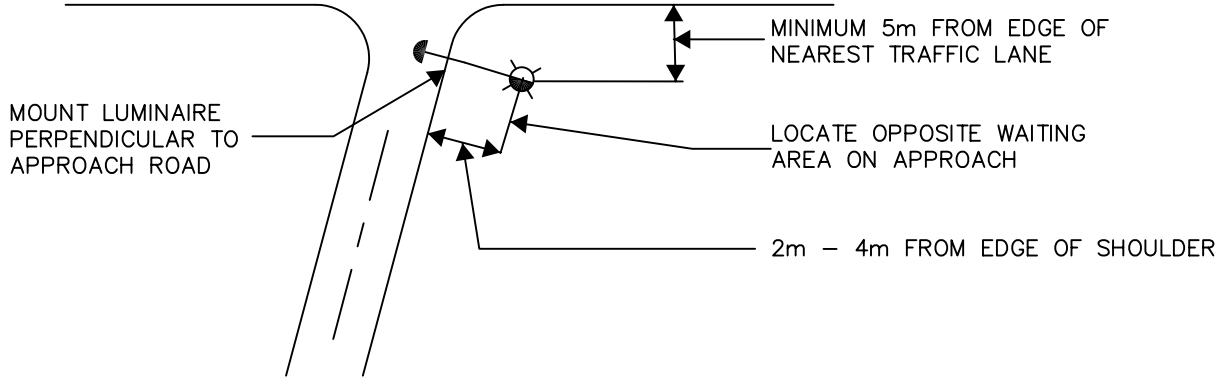
SaskPower – DISTRIBUTION STANDARDS

DRN. A. JUTTLA	DESIGN CHK.	APPROVAL	LIGHTING STANDARDS
CHKD.			
DATE	DATE	DATE	
DATE OF ISSUE	DRAWING NO.	B-20-25	SHEET 2 OF 2
			REV. A



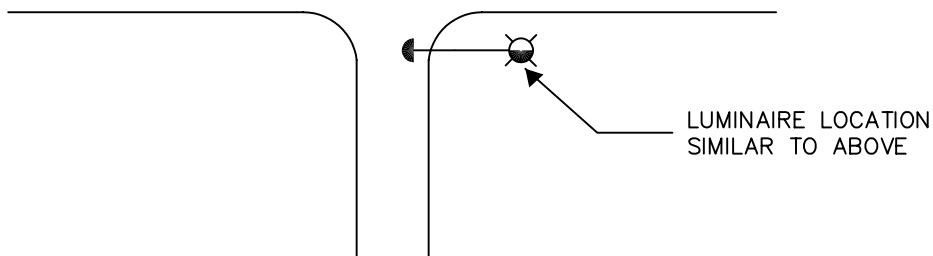
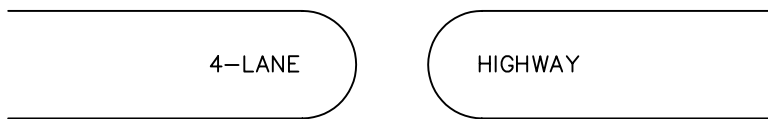
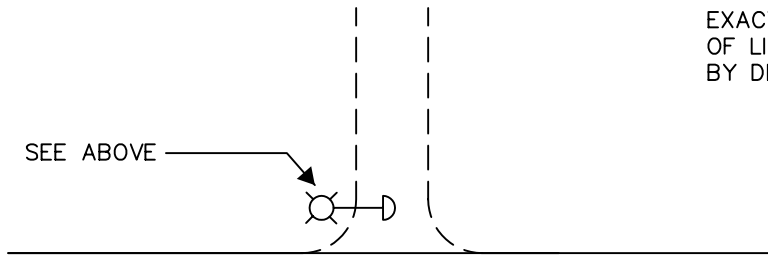
AT 4 LEG INTERSECTIONS, THIS SECOND LIGHT IS OPTIONAL, BUT ONLY IF THE FOURTH LEG IS AT A GRID ROAD

2-LANE HIGHWAY



NOTE:

EXACT LOCATION AND NUMBER OF LIGHTS TO BE AS REQUESTED BY DEPARTMENT OF HIGHWAYS.



SCALE: N.T.S. ALL DIMENSIONS ARE IN MILLIMETRES UNLESS OTHERWISE INDICATED

SASKATCHEWAN POWER CORP. – DISTRIBUTION ENGINEERING STANDARDS

DRN. N.J.C.	DESIGN CHK.	SAFETY APP.	APPROVAL	DELINEATION LIGHTING AT RURAL INTERSECTIONS
CHKD. <i>FTK</i>				
DATE 87-04-24	DATE	DATE	DATE	
DATE OF ISSUE 87-06-01		DRAWING NO. B-20-26	SHEET 1 OF 1	REV. 0

DECORATIONS ATTACHED TO STREETLIGHT POLES

STEEL STREETLIGHT STANDARDS

STREETLIGHT HEIGHT		MAXIMUM AREA		MINIMUM HEIGHT TO BOTTOM		MAXIMUM HEIGHT TO TOP		MAXIMUM BANNER HEIGHT		MAXIMUM WEIGHT	
m	ft	m ²	ft ²	m	ft	m	ft	m	ft	kg	lbs
7.6	25	1.4	15	3.7	12	5.2	17	1.5	5	45	100
9.1	30	1.3	14	3.7	12	6.7	22	3.0	10	45	100
10.7	35	0.8	8	3.7	12	7.6	25	3.9	13	45	100
12.2	40	1.0	11	3.7	12	7.6	25	3.9	13	45	100
13.7	45	N/A	N/A	N/A	N/A	N/A	N/A	N/A	N/A	N/A	N/A

N/A - NOT ALLOWED

WOOD POLES WITH STREETLIGHT BRACKETS

WOOD POLE (HEIGHT/CLASS)		MAXIMUM AREA		MINIMUM HEIGHT TO BOTTOM		MAXIMUM HEIGHT TO TOP		MAXIMUM BANNER HEIGHT		MAXIMUM WEIGHT	
m	ft	m ²	ft ²	m	ft	m	ft	m	ft	kg	lbs
9.1/6	30/6	1.6	16	3.7	12	5.7	19	2.0	7	45	100
9.1/5	30/5	2.4	25	3.7	12	5.7	19	2.0	7	45	100
10.7/6	35/6	1.7	18	3.7	12	7.1	23	3.4	11	45	100
10.7/5	35/5	2.4	25	3.7	12	7.1	23	3.4	11	45	100

EXAMPLE:

A 12.2m (40ft) SINGLE DAVIT STEEL STREETLIGHT CAN HAVE A DECORATION NO GREATER THAN 1.0m² (11ft²). THIS DECORATION CAN NOT BE LOCATED LOWER THAN 3.7m (12ft) TO THE GROUND AND NO HIGHER THAN 7.6m (25ft) FROM THE GROUND.

APPLICATION NOTES:

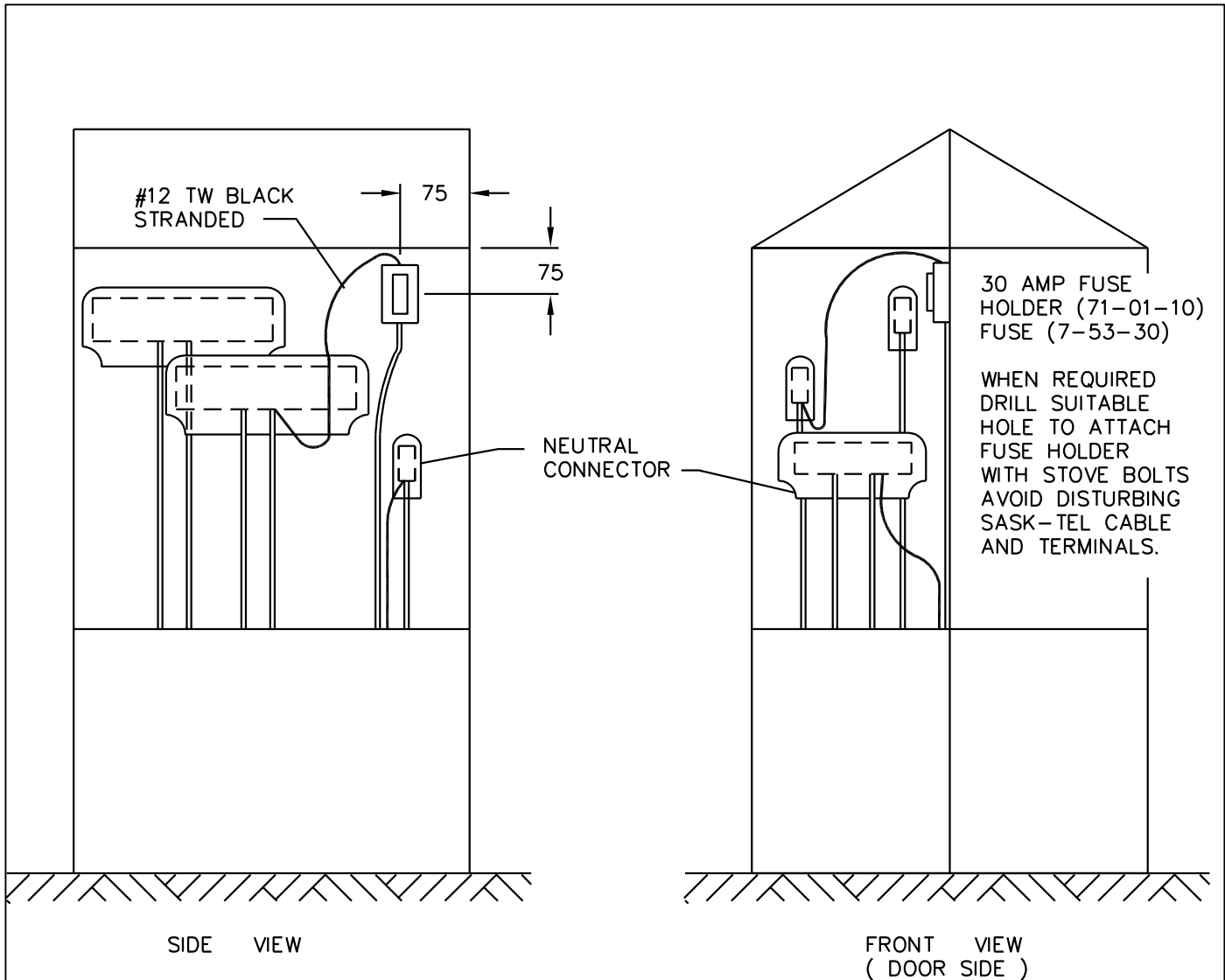
1. ANY **ONE** OF THE ABOVE CONSTRAINTS MAY BE THE LIMITING FACTOR.
2. NO DECORATIONS, REGARDLESS OF AREA, SHALL EXTEND MORE THAN 0.9m (3ft) FROM POLE. DECORATIONS ARE ALLOWED TO EXTEND MORE THAN 0.9m (3ft) PROVIDED THEY ARE A SUBSTANTIALLY OPEN STRUCTURE.
3. DECORATIONS CAN BE LOCATED EITHER INLINE WITH ROAD OR AT A RIGHT ANGLE TO THE ROAD.
4. DECORATIONS MAY BE LOCATED ON BOTH SIDES OF THE POLE BUT THE ABOVE CONSTRAINTS MUST BE APPLIED. MAXIMUM AREA IS TOTAL PER POLE, NOT PER DECORATION.
5. DECORATIONS SHALL NOT INTERFERE WITH TRAFFIC OR SNOW REMOVAL.
6. CHARTS VALID ONLY FOR SINGLE DAVIT APPLICATIONS.
7. POLES SHALL BE CHECKED FOR RUST OR ROT. POLES MUST BE FREE OF DAMAGE.
8. NO DECORATIONS ARE TO BE ALLOWED ON WOOD POLE THAT HAVE, OR MAY HAVE, APPARATUS, PRIMARY, OR DISTRIBUTION SECONDARY (OTHER THAN STREETLIGHT SERVICE). DECORATIONS ARE ALLOWED ON POLES WITH JOINT USE PROVIDED THEY ARE LOCATED BELOW THE JOINT USE SPACE.
9. BASED ON CSA (CANADIAN STANDARDS ASSOCIATION) AND NBC (NATIONAL BUILDING CODE OF CANADA).
10. AREAS MAY BE DOUBLED (PROVIDED OTHER CONSTRAINTS ARE NOT EXCEEDED) IF THE DECORATION IS A RECTANGULAR BANNER THAT IS ATTACHED AT ONLY THREE CORNERS, OR TRIPLED IF ATTACHED ONLY AT THE TOP.
11. ATTACHMENTS ARE TO BE MADE BY APPROPRIATELY SIZED GALVANIZED OR STAINLESS STEEL BANDING. NO DRILLING OR OTHER MODIFICATIONS ARE ALLOWED.

SaskPower - DISTRIBUTION STANDARDS

DRN.	DESIGN CHK.	APPROVAL	DECORATIONS ON STREETLIGHT POLES
CHKD.			
DATE	DATE	DATE	
DATE OF ISSUE 2007/04/16		DRAWING NO: B-20-27	SHEET 1 of 1 REV. 0

BACK TO INDEX PAGE

BACK TO INDEX PAGE



SCALE: N.T.S. ALL DIMENSIONS ARE IN MILLIMETRES UNLESS OTHERWISE INDICATED

SaskPower – DISTRIBUTION STANDARDS			
APPROVAL L. MOEN	DESIGN CHK. D. DONAIS	DRN. A.B.W. CHKD. 2018-02-20	FUSING OF STREET LIGHT SUPPLY AT PEDESTAL
DATE OF ISSUE	2018-02-20	DRAWING NO. B-20-35	
		SHEET 1 of 1	REV. A

BILL OF MATERIAL

ITEM NO.	CODE NO.	QUANTITY				DESCRIPTION
		A	B	C	D	
1	3 16 40	1	1	1	1	PHOTO CONTROL – 120 VOLT
2	3 43 16	1	-	-	-	LUMINAIRE – POST TOP – HPSV – ACORN – 150 WATT
3	3 43 17	-	-	-	1	LUMINAIRE – POST TOP – LED – WASHINGTON – 4000 LM
4	3 43 20	-	-	1	-	LUMINAIRE – POST TOP – HPSV – ARLINGTON – 150 WATT
4	3 43 27	-	1	-	-	LUMINAIRE – POST TOP – LED – WASHINGTON – 10000 LM
6	3 45 30	1	1	1	1	SHORTING CAP
7	7 62 52	1	-	1	-	LAMP – HPSV – 150 WATT
8	7 62 75	-	1	-	-	LAMP – MH – 175 WATT

NOTES:

COLUMN A: ACORN POST TOP 150W HPSV

COLUMN B: WASHINGTON POST TOP 10000LM LED

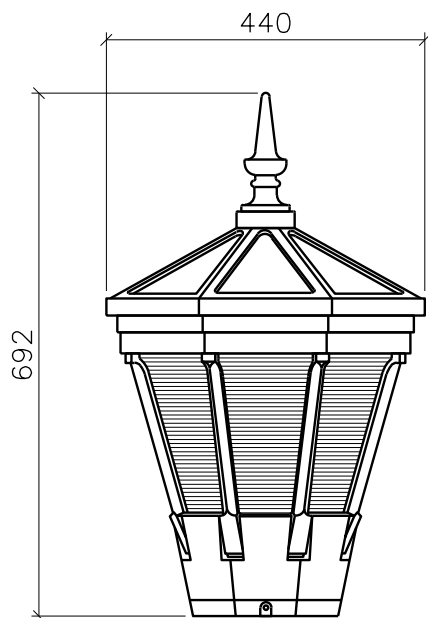
COLUMN C: ARLINGTON POST TOP 150W HPSV

COLUMN D: WASHINGTON POST TOP 6500LM LED

BACK TO INDEX PAGE

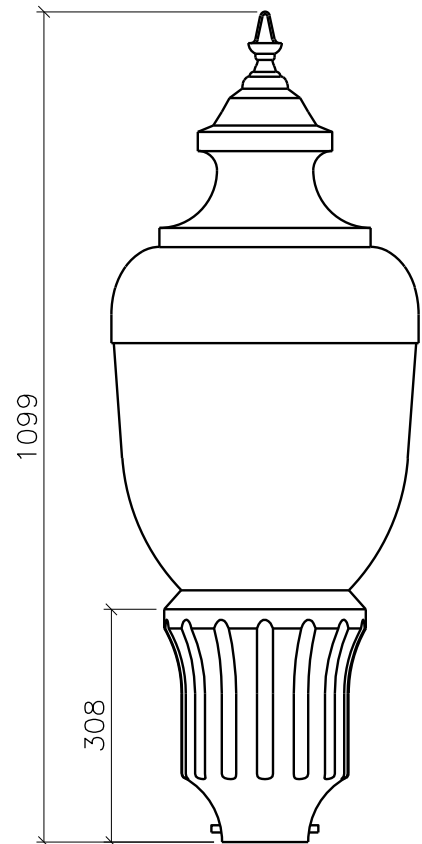
SaskPower - DISTRIBUTION STANDARDS

APPROVAL	DESIGN CHK	DRN. BG	DECORATIVE LUMINAIRES
L MOEN	B. GEBHART	CHKD. LM	
		2020-12-08	
DATE OF ISSUE: 2021-01-20		DRAWING NO: B-20-40	SHEET 1 OF 3 REV. B



ARLINGTON POST TOP

- C) 150W HPSV (3 43 20)
- D) 175W MH(3 43 35)

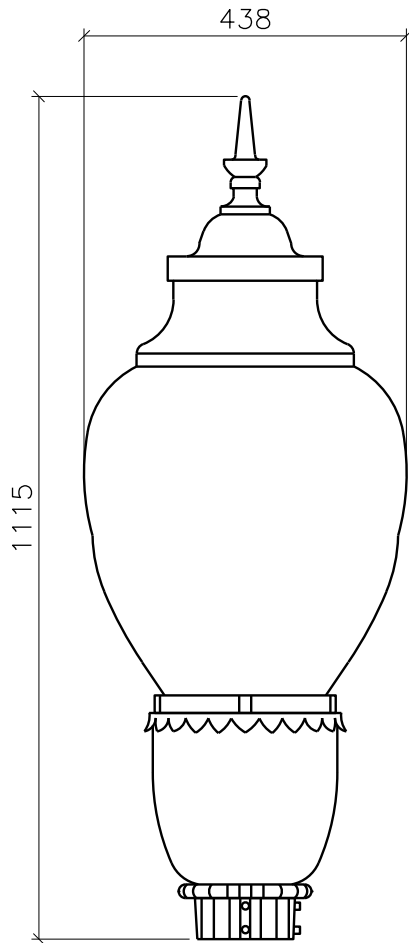


ACORN POST TOP

- A) 150W HPSV (3 43 16)
- B) 175W MH (3 43 31)

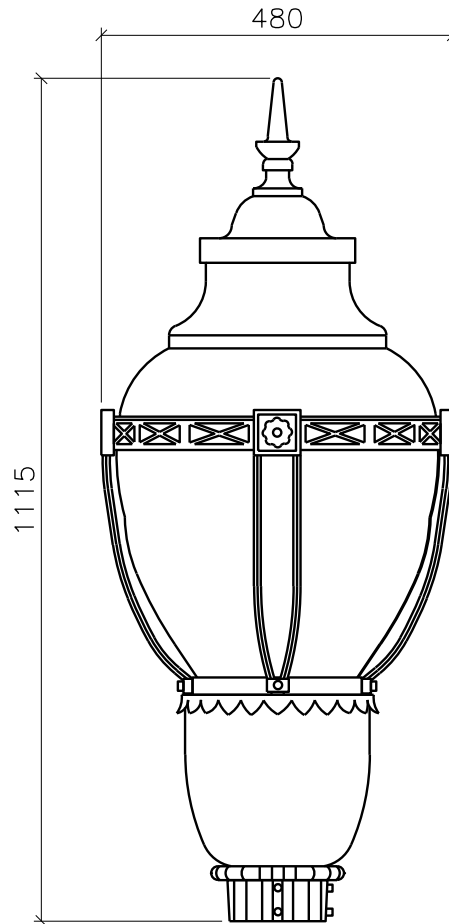
SCALE: N.T.S. ALL DIMENSIONS ARE IN MILLIMETRES UNLESS OTHERWISE INDICATED

SaskPower – DISTRIBUTION STANDARDS				
APPROVAL	DESIGN CHK.	DRN. J.C.K.	DECORATIVE LUMINAIRES	
M. ERETH	A. UHREN	CHKD.		
		2013-08-19		
DATE OF ISSUE	2014/03/21	DRAWING NO. B-20-40	SHEET 2 of 3	REV. A



WASHINGTON POSTLITE
WITH FINIAL

150W HPSV (3 43 15)
175W MH (3 43 30)



WASHINGTON POSTLITE
WITH FINIAL, RIBS, BANDS AND
MEDALLIONS

150W HPSV (3 43 15 & 3 43 40)
175W MH (3 43 30 & 3 43 40)

NOTES:

- 1) THESE LUMINAIRES ARE NOT TO BE USED FOR NEW CONSTRUCTION.
FOR MAINTENANCE ONLY.

SCALE: N.T.S. ALL DIMENSIONS ARE IN MILLIMETRES UNLESS OTHERWISE INDICATED

SaskPower – DISTRIBUTION STANDARDS

APPROVAL M. ERETH	DESIGN CHK. A. UHREN	DRN. DC CHKD. 2013-08-19	DECORATIVE LUMINAIRES
DATE OF ISSUE	2014/03/21	DRAWING NO. B-20-40	
		SHEET 3 of 3	REV.

BILL OF MATERIAL

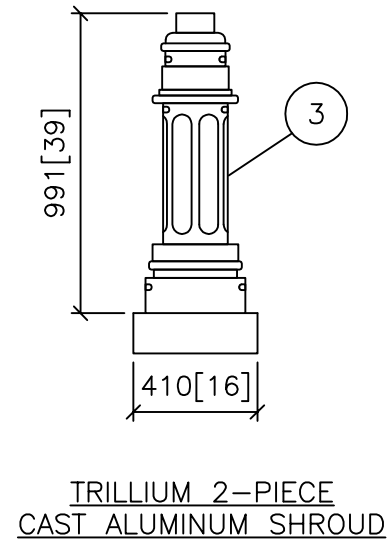
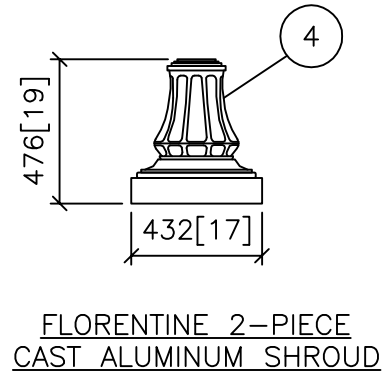
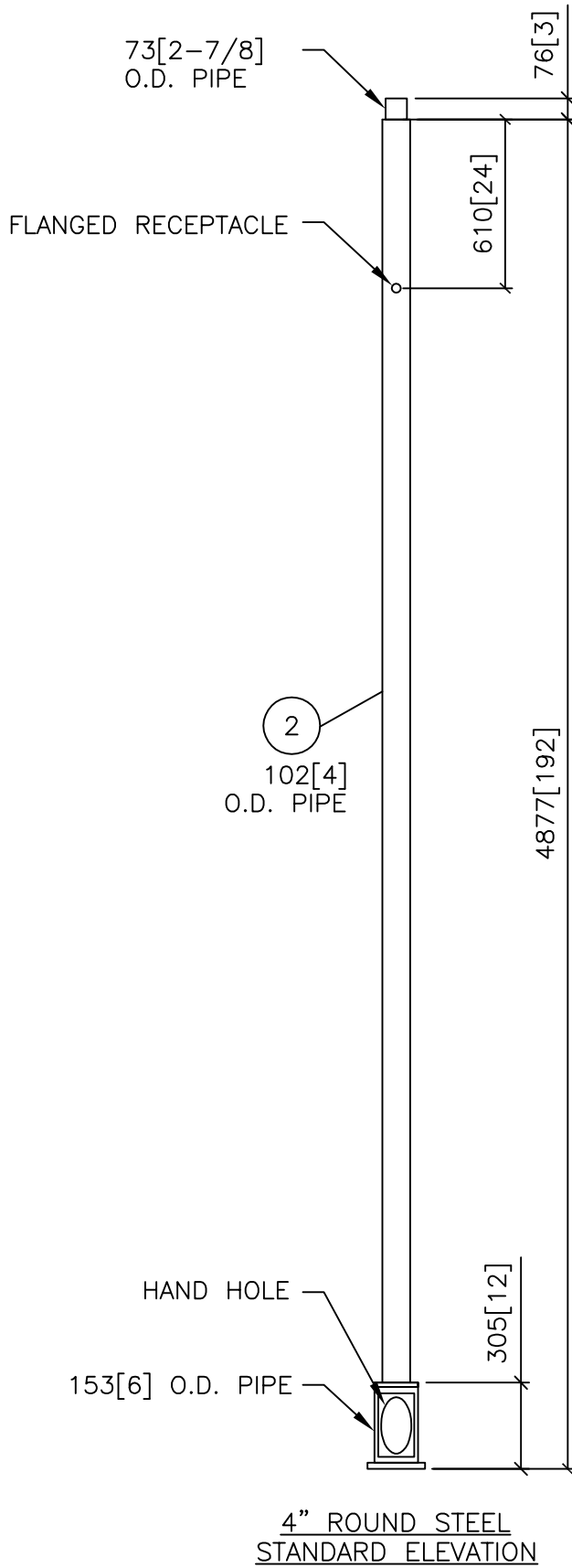
ITEM NO.	CODE NO.	QUANTITY		DESCRIPTION
		A	B	
1	3 60 14	1	-	STANDARD – OCTAGONAL– BLACK – (4.28m, 14')
2	3 60 16	-	1	STEEL STANDARD – 4” ROUND – BLACK – (4.88m, 16')
3	3 60 20	-	X	SHROUD – 2 PIECE CAST ALUMINUM – TRILLIUM
4	3 60 21	-	X	SHROUD – 2 PIECE CAST ALUMINUM – FLORENTINE
<p>NOTE:</p> <ol style="list-style-type: none"> 1. 3 60 16 CAN BE USED WITH EITHER TYPE OF SHROUD. 3 60 14 IS NOT COMPATIBLE WITH SHROUDS. 2. COLUMN “A” IS FOR OCTAGONAL STANDARDS AND COLUMN “B” IS FOR ROUND STANDARDS. 				

BACK TO INDEX PAGE

SaskPower - DISTRIBUTION STANDARDS

APPROVAL	DESIGN CHK	DRN. DCD	DECORATIVE LIGHT STANDARDS
L. MOEN	D. DONAIS	CHKD.	
		2018-05-17	
DATE OF ISSUE	2018-06-07	DRAWING NO. B-20-41	SHEET 1 OF 3 REV. C

BACK TO INDEX PAGE

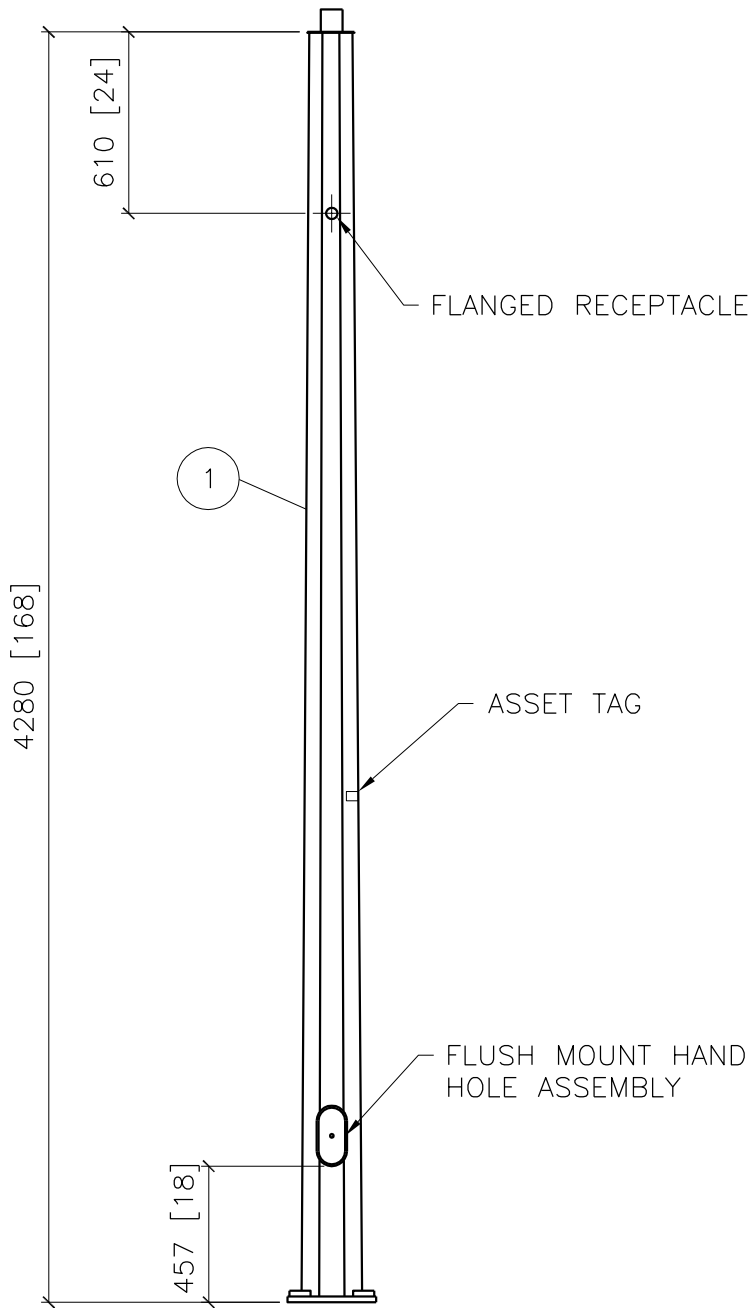


NOTE:

ALL DIMENSIONS ARE IN MILLIMETERS.
ALTERNATE DIMENSIONS IN BRACKETS
ARE IN INCHES.

SCALE: N.T.S.

SaskPower – DISTRIBUTION STANDARDS			
APPROVAL L.MOEN	DESIGN CHK. D.DONAIS	DRN. C.BAUTISTA CHKD. 2018-05-22	DECORATIVE LIGHT STANDARDS
DATE OF ISSUE	2018-06-07	DRAWING NO. B-20-41	
		SHEET 2 of 3	REV. D



OCTAGONAL STEEL
STANDARD ELEVATION

NOTE:

ALL DIMENSIONS ARE IN MILLIMETERS.
ALTERNATE DIMENSIONS IN BRACKETS
ARE IN INCHES.

SCALE: N.T.S.

BACK TO INDEX PAGE

SaskPower – DISTRIBUTION STANDARDS

APPROVAL L.MOEN	DESIGN CHK. D.DONAIS	DRN. C.BAUTISTA CHKD. 2018-05-22
--------------------	-------------------------	--

DECORATIVE LIGHT STANDARDS

DATE OF ISSUE	2018-06-07	DRAWING NO. B-20-41	SHEET 3 of 3	REV. -
---------------	------------	---------------------	--------------	--------

BILL OF MATERIAL

ITEM NO.	CODE NO.	QUANTITY	DESCRIPTION
1	3 61 56	1	STANDARD-ST LIGHT 22' CONCRETE MEMPHIS BLACK
NOTE:			1. REFER TO B-20-16 FOR HANDHOLE CONNECTION.

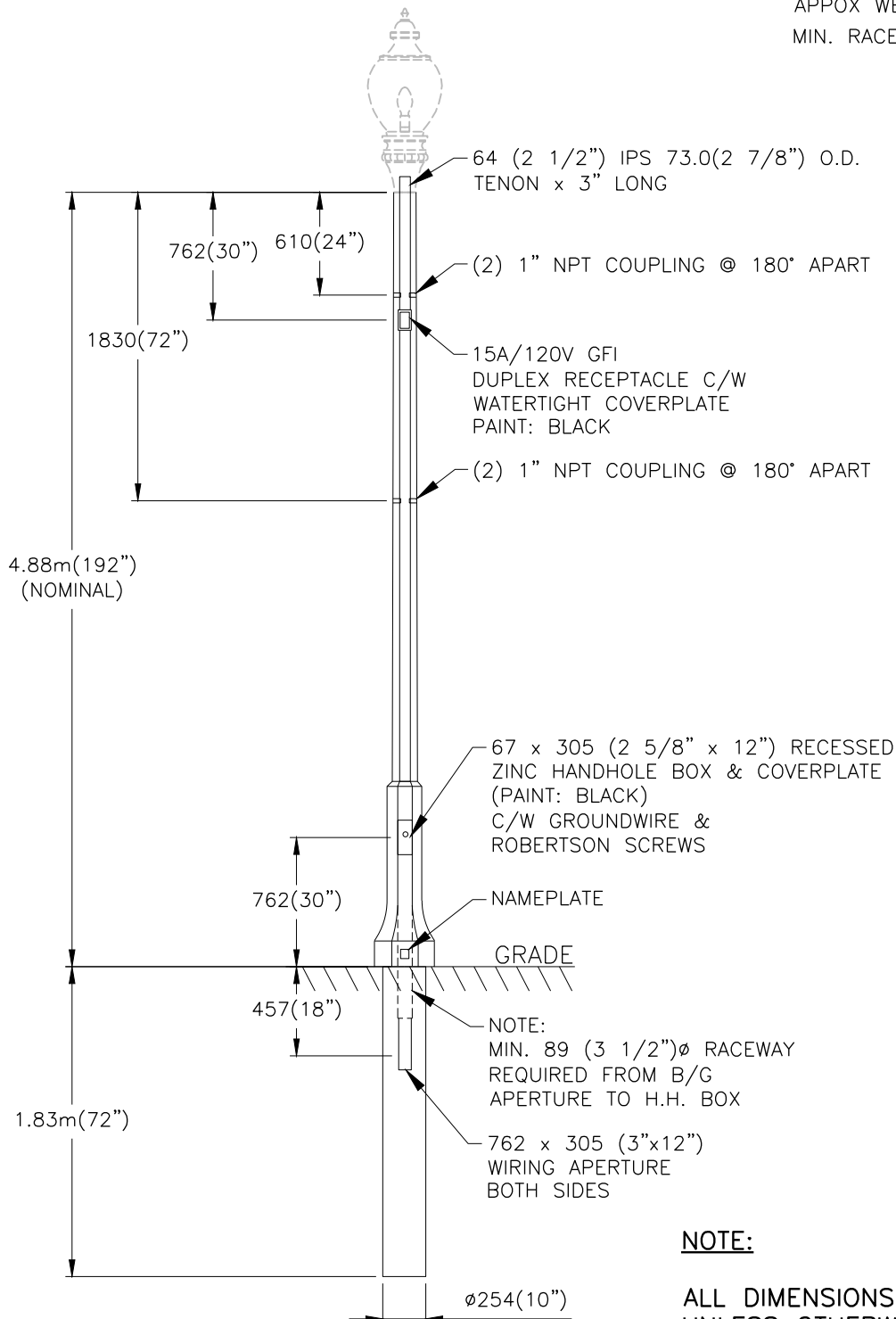
BACK TO INDEX PAGE

SaskPower - DISTRIBUTION STANDARDS

APPROVAL M. ERETH	DESIGN CHK A. UHREN	DRN. ARU CHKD. 2014-04-28	DECORATIVE CONCRETE LIGHT STANDARD
DATE OF ISSUE: 2014/11/17		DRAWING NO: B-20-42	

POLE SPECIFICATIONS

FINISH: POLISHED
 POLE TOP: 127(5") FL/FL
 POLE BUTT: 254(10") ϕ
 POLE LENGTH: 6710(264")
 APPROX WEIGHT: 1,110 lbs.
 MIN. RACEWAY: 32(1-1/4") ϕ



NOTE:

ALL DIMENSIONS ARE IN MILLIMETERS
UNLESS OTHERWISE INDICATED.
ALTERNATE DIMENSIONS IN BRACKETS
ARE IN INCHES.

BACK TO INDEX PAGE

SaskPower – DISTRIBUTION STANDARDS

APPROVAL M.ERETH	DESIGN CHK. A.UHREN	DRN. A.GATZKE CHKD.	DECORATIVE CONCRETE LIGHT STANDARD
		2014-07-23	
DATE OF ISSUE	2014/11/17	DRAWING NO. B-20-42	SHEET 2 of 2
			REV. A

BILL OF MATERIAL

ITEM NO.	CODE NO.	QUANTITY	DESCRIPTION
1	5 04 80	1	STREETLIGHT SECONDARY CABLE PULL BOX
2	70 85 00	5m	CONDUIT, HDPE - 1.5" FLEXIBLE - RED
3	70 85 02	XX	CONDUIT, HDPE - RED - 2", SMOOTH WALL (SEE NOTE 1)
4	70 85 42	2	COUPLER MECHANICAL, 2"
5	70 85 52	2	DUCT 90 DEGREE SWEEP, FOR 2", 12" RADIUS

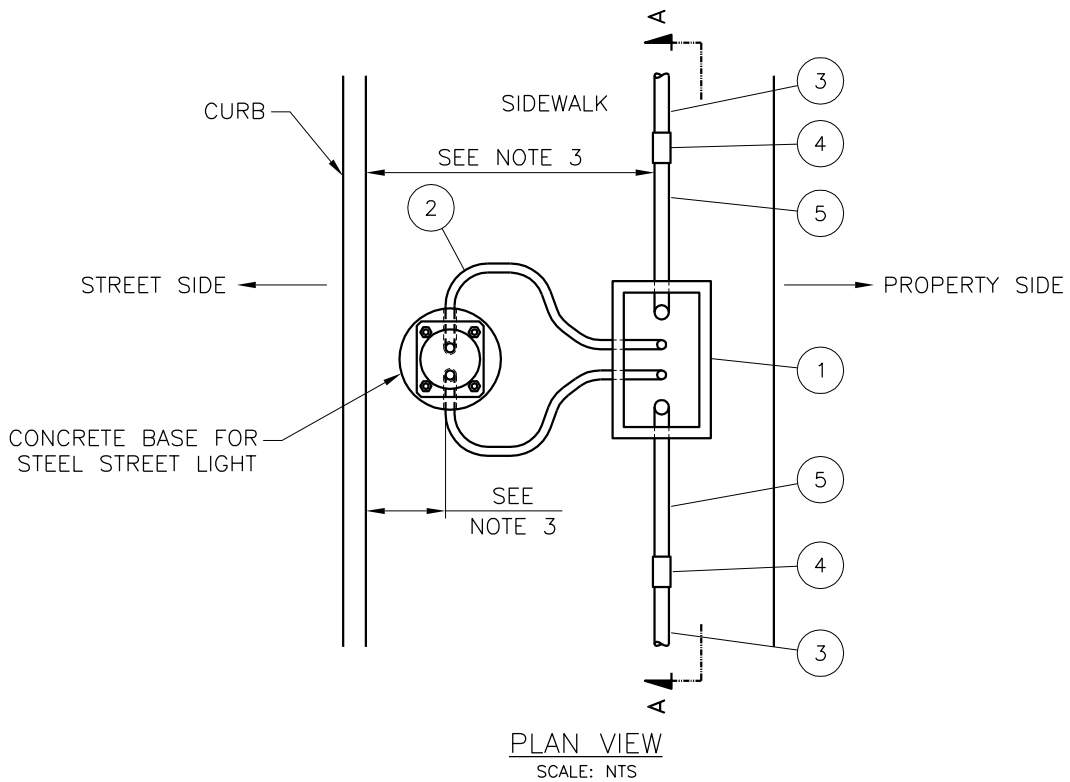
NOTE

1. LENGTH OF CONDUIT REQUIRED WILL VARY DEPENDING ON LIGHT STANDARD SPACING.

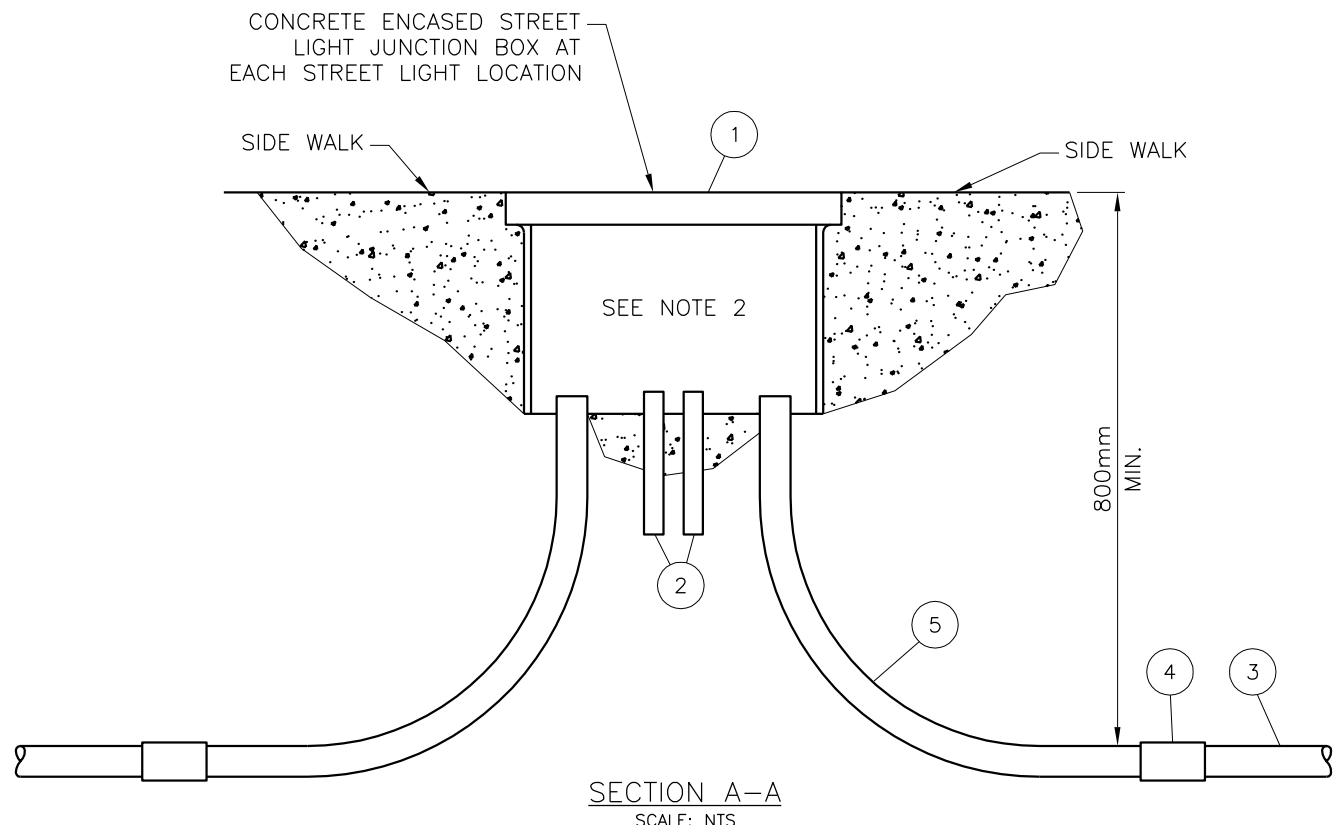
BACK TO INDEX PAGE

SaskPower - DISTRIBUTION STANDARDS

APPROVAL L. MOEN	DESIGN CHK D. DONAIS	DRN. DCD CHKD. 2018-02-09	STREETLIGHT STANDARD SECONDARY IN-CONCRETE PULL BOX
DATE OF ISSUE: 2018-02-20	DRAWING NO: B-20-43	SHEET 1 OF 2 REV. 0	



PLAN VIEW
SCALE: NTS



SECTION A-A
SCALE: NTS

NOTES:

1. BACKFILL SPECIFIED BY MUNICIPALITY.
2. CONDUCTOR SHALL BE LOOPED ONCE ON INCOMING AND OUTGOING FEEDS.
3. REFER TO SECTION 7 OF SEP 4 FOR REQUIRED CLEARANCES.
4. TO BE USED IN BROWN FIELD SITUATIONS WHERE NO GREEN SPACE AVAILABLE.

SaskPower – DISTRIBUTION STANDARDS					
APPROVAL L.MOEN	DESIGN CHK. D.DONAIS	DRN. E.GOTANA CHKD.	STREETLIGHT STANDARD SECONDARY IN-CONCRETE PULL BOX		
		2018-01-16			
DATE OF ISSUE	2018-02-20	DRAWING NO.	B-20-43	SHEET 2 of 2	REV. 0