

## RURAL DISTRIBUTION

DRAWING NUMBER	SHT.	DRAWING TITLE	DWG REV.	BOM REV.
B-12-00	1 – 2	GENERAL INFORMATION	A / A	-
B-12-10	1 – 3	SINGLE-PHASE, TAKE-OFF STRUCTURE	G	I / B
B-12-11	1 – 3	SINGLE-PHASE, DOUBLE TAKE-OFF STRUCTURE	G	I / B
B-12-12	1 – 2	REVERSE FROM U/G TO O/H TAKE-OFF ON RADIAL	E	F
B-12-13	1 – 2	SINGLE-PHASE, OVERHEAD STRUCTURE TO FEED COMMUNITIES FROM A RUD LOOP	B	D
B-12-15	1 – 3	THREE-PHASE, TAKE-OFF STRUCTURE	G	I / B
B-12-16	1 – 3	SINGLE-PHASE, TRIPSAVER II TAKE-OFF STRUCTURE	B	A / A
B-12-20	1 – 2	SINGLE-PHASE, RADIAL FEED CABLE STRUCTURE WITH EXISTING POLE-MOUNTED TRANSFORMER	G	I
B-12-21	1 – 2	SINGLE-PHASE, LOOP FEED CABLE STRUCTURE WITH EXISTING POLE-MOUNTED TRANSFORMER	E	F
B-12-22	1 – 2	RUD SECONDARY TAKE-OFF STRUCTURE	E	F
B-12-23	1 – 2	RUD LOOP FEED OVERHEAD TRANSFORMER WITH CUTOUT	D	E
B-12-25	1 – 3	SINGLE-PHASE, TAKE-OFF STRUCTURE WITH EXISTING OVERHEAD TAP-OFF	F	I / B
B-12-36	1 – 3	RURAL 3 $\phi$ , SOLID BLADE DISCONNECT SINGLE-CIRCUIT REVERSE TAKE-OFF STRUCTURE WITH SPARE CONDUCTOR	B	B / A
B-12-37	1 – 3	RURAL 3 $\phi$ GOPT TAKE-OFF STRUCTURE WITH SPARE CONDUCTOR	C	B / B
B-12-38	1 – 1	CABLE TERMINATION DETAILS	-	

### *SaskPower* - DISTRIBUTION STANDARDS

APPROVAL

**L MOEN**

DESIGN CHK

**P PATEL**

DRN. **PP**

CHKD. **LM**

**2022/06/08**

**INDEX**

DATE OF ISSUE: **2022-08-15**

DRAWING NO: **B-12-INDEX**

**SHEET 1 of 1**

**REV. Q**

## RURAL UNDERGROUND DISTRIBUTION GENERAL DESIGN CRITERIA

### 1. NEW RURAL SERVICES

#### 1.1. RADIAL FEED

THE MAJORITY OF NEW RURAL SERVICES WILL CONSIST OF A RADIAL UNDERGROUND TAP OFF AN EXISTING SINGLE-PHASE OR THREE-PHASE OVERHEAD LINE.

THE COMPONENTS REQUIRED FOR A RADIALLY FED NEW RURAL SERVICE ARE:

- TAKE-OFF STRUCTURE
- PRIMARY CABLE
- PADMOUNTED TRANSFORMER AND ASSOCIATED ACCESSORIES
- METERING PEDESTAL (FARMS ONLY)

THE STANDARD ENGINEERING PRACTICE IS TO INSTALL A MAXIMUM OF 3 RURAL CUSTOMERS ON A RADIAL. AFTER 3 CUSTOMERS, CONSIDERATION SHOULD BE GIVEN TO INSTALL A LOOP SYSTEM.

#### 1.2. LOOP (ALTERNATE) FEED

NEW RURAL SERVICES WHICH OCCUR WITHIN THE BOUNDARIES OF AN EXISTING RUD PROJECT OR WHICH ARE IN CLOSE PROXIMITY TO AN EXISTING UNDERGROUND CABLE SHALL BE INSTALLED AS A LOOP (ALTERNATE) FEED SERVICE. BOTH THE INCOMING (LINE SIDE) AND OUTGOING (LOAD SIDE) CABLES SHALL BE SPLICED INTO THE EXISTING UNDERGROUND CABLE.

THE COMPONENTS REQUIRED FOR A LOOP (ALTERNATE) FEED NEW FARM SERVICES ARE:

- SPLICES AT TAKE-OFF LOCATION
- PRIMARY CABLE (TWO RUNS)
- PADMOUNTED TRANSFORMER AND ASSOCIATED ACCESSORIES
- METERING PEDESTAL (FARMS ONLY)

### 2. RURAL UNDERGROUND DISTRIBUTION (RUD) PROJECTS

ALL RUD PROJECTS WILL BE DESIGNED AS LOOP (ALTERNATE) FEED SYSTEMS. THEY WILL GENERALLY TAP OFF A THREE-PHASE OVERHEAD LINE AND WILL 'LOOP BACK' ONTO THE SAME THREE-PHASE OVERHEAD LINE.

EACH PROJECT WILL BE BASED ON THE FOLLOWING GENERAL GUIDELINES (FOR THE WHOLE LOOP):

- A MAXIMUM OF 40 CUSTOMERS
- A MAXIMUM TOTAL PEAK LOAD OF 400 KVA (27.8A @ 14.4KV)
- A MAXIMUM TOTAL CABLE LENGTH OF 40 MILES (64 KM) INCLUDING THE LENGTH OF ALL RADIAL TAPS WITHIN THE LOOP
- THE STANDARD ENGINEERING PRACTICE IS TO INSTALL A MAXIMUM OF 3 RURAL CUSTOMERS ON A RADIAL TAP WITHIN THE RUD LOOP. AFTER 3 CUSTOMERS, THE RADIAL TAP SHALL BE INTEGRATED INTO THE RUD LOOP.

THE COMPONENTS REQUIRED FOR A RURAL UNDERGROUND PROJECT ARE:

- TAKE-OFF STRUCTURES
- PRIMARY CABLE
- PADMOUNTED TRANSFORMERS AND ASSOCIATED ACCESSORIES
- SWITCHING CUBICLES (IF REQUIRED IN DESIGN)
- INDUCTIVE REACTORS
- METERING (EXISTING OR METERING PEDESTAL)

REFER TO THE RUD DESIGNERS HANDBOOK FOR FURTHER DESIGN DETAILS.

BACK TO INDEX PAGE

<b>SaskPower</b> - DISTRIBUTION STANDARDS				
APPROVAL	DESIGN CHK	DRN. <b>ARU</b>	<b>GENERAL INFORMATION</b>	
<b>L. MOEN</b>	<b>A. UHREN</b>	CHKD.		
		<b>2017-01-12</b>		
DATE OF ISSUE:	2017/05/03	DRAWING NO: <b>B-12-00</b>	<b>SHEET 1 of 2</b>	<b>REV. A</b>

**3. DESIGN COMPONENTS**

THE DESIGN COMPONENTS FOR THE RUD SYSTEM ARE AS FOLLOWS:

- O/H TO U/G TAKE-OFF STRUCTURES – SECTION B-12-XX
- UNDERGROUND PRIMARY CABLE – SECTION B-26-XX
- PADMOUNTED TRANSFORMERS – SECTION B-08-XX
- SWITCHING CUBICLES – SECTION B-26-XX
- INDUCTIVE REACTORS – SECTION B-26-XX
- METERING – SECTION B-24-XX

**4. CABLE LOCATION**

CABLE ROUTES SHALL BE SELECTED TO OPTIMIZE CABLE REQUIREMENTS AND TO REDUCE THE NUMBER OF CABLE CROSSINGS REQUIRED.

DEVIATIONS FROM THE GUIDELINES RECOMMENDED BELOW MAY BE CONSIDERED TO ACCOMMODATE PHYSICAL AND TOPOGRAPHICAL FEATURES IN THE AREA.

UNDERGROUND POWER CABLE SHALL GENERALLY BE LOCATED PARALLEL TO ROAD ALLOWANCE CENTER LINES, SECTION LINES, AND QUARTER MILE LINES (IE. ON THE SQUARE) WHEREVER POSSIBLE.

WHERE PARALLELING A ROAD ALLOWANCE AND WHEREVER PRACTICAL (IE. NO PHYSICAL OBSTRUCTIONS), MAINTAIN A MINIMUM DISTANCE FROM THE ROAD ALLOWANCE CENTER LINE OF 50m (164'). IF DEVIATIONS FROM THE 50m DISTANCE ARE REQUIRED, MAKE SUCH DEVIATION IN INCREMENTS OF 5m (16.4') TO ALLOW FOR GOOD AS-BUILT DRAWINGS AND FUTURE CABLE/FAULT LOCATING.

WHERE PARALLELING A BOUNDARY LINE OTHER THAN A ROAD ALLOWANCE (IE. SECTION LINES, QUARTER MILE LINES), MAINTAIN A MINIMUM DISTANCE FROM BOUNDARY LINE OF 5m (16.4').

IF DEVIATIONS FROM THE 5m DISTANCE ARE REQUIRED, MAKE SUCH DEVIATION IN 5m INCREMENTS.

**5. DEPTH OF COVER**

MINIMUM REQUIRED DEPTH OF COVER OVER THE CABLE SHALL BE ONE METRE.

BACK TO INDEX PAGE

<b>SaskPower</b> - DISTRIBUTION STANDARDS			
APPROVAL	DESIGN CHK	DRN. <b>ARU</b>	<b>GENERAL INFORMATION</b>
<b>L. MOEN</b>	<b>A. UHREN</b>	CHKD.	
		<b>2017-01-12</b>	
DATE OF ISSUE:	2017/05/03	DRAWING NO: <b>B-12-00</b>	SHEET 2 of 2   REV. A

**BILL OF MATERIAL**

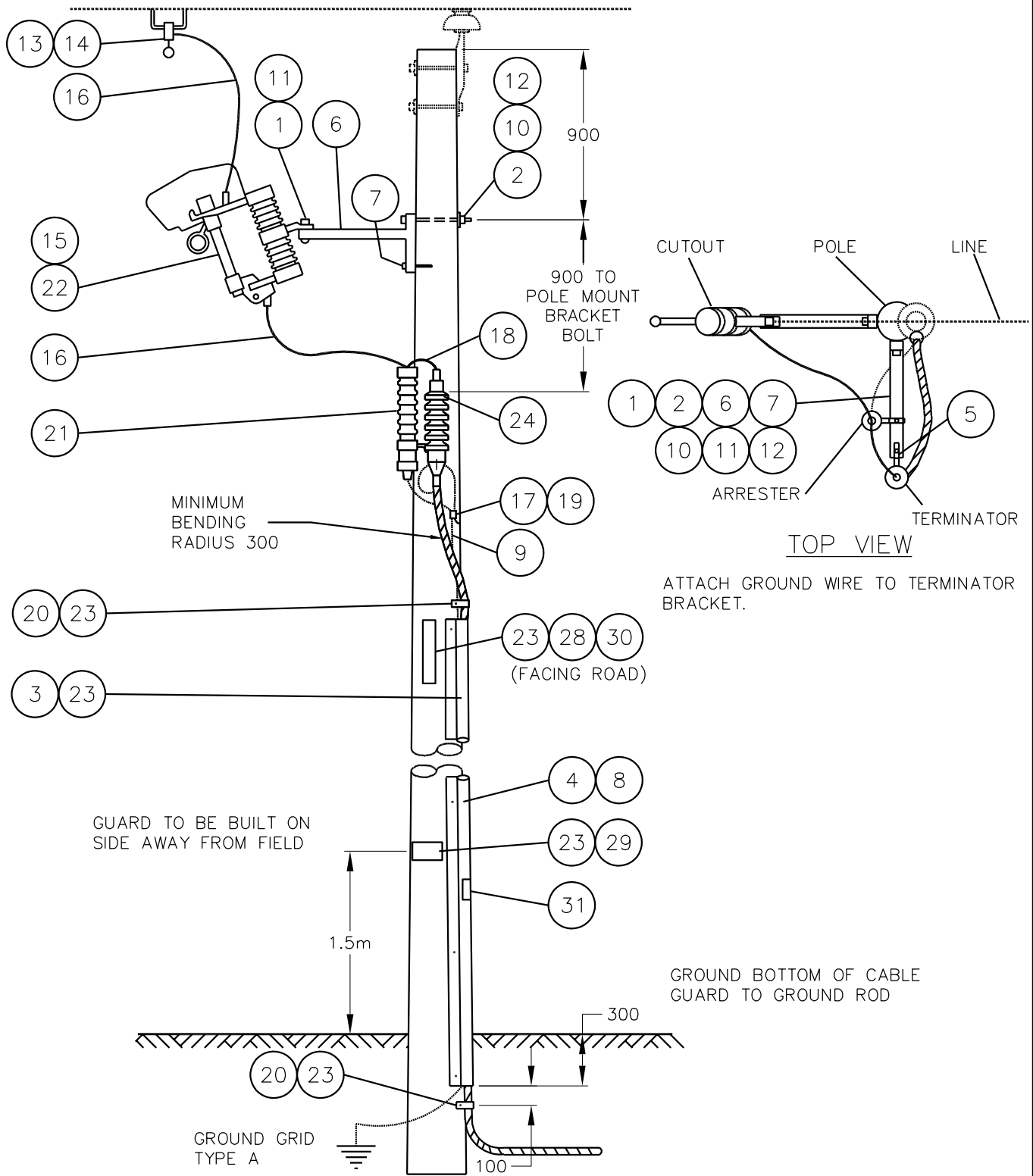
ITEM NO.	CODE NO.	QUANTITY	DESCRIPTION
1	1 12 02	2	BOLT – MACHINE – 1/2" X 2"
2	1 13 12	2	BOLT – MACHINE – 5/8" X 12"
3	1 34 09	3	GUARD – CABLE – PLASTIC – 2-1/2" X 8'
4	1 34 11	1	GUARD – CABLE – STEEL – 2-1/2" X 8'
5	1 35 XX	1	BRACKET – CABLE POSITIONER
6	1 35 31	2	BRACKET – "T" FOR ARRESTORS & CUTOUTS
7	1 78 12	2	SCREW – LAG – 1/2" X 4-1/2"
8	1 78 38	6	SCREW – LAG – 3/8" X 4"
9	1 85 01	1/4 lb	STAPLE – FENCE – 1-3/4"
10	1 93 27	2	WASHER – DOUBLE COIL – 5/8"
11	1 93 30	4	WASHER – ROUND – 9/16"
12	1 93 42	2	WASHER – SQUARE – 2-1/4" X 13/16" HOLE
13	2 02 70	1	CLAMP – LIVELINE
14	2 02 82	1	CLAMP – BAIL – #6 TO 1/0 ACSR
15	2 12 62	1	CUTOUT – LOADBREAK – 27 kV – 100 AMP (SEE NOTE 1)
16	2 83 02	3 m	WIRE – CU – #2 – 7 STR
17	2 83 04	8 m	WIRE – CU – #4 – 7 STR
18	5 09 27	1	CONNECTOR – COMPRESSION – AL
19	5 12 06	1	CONNECTOR – CU – 4C4
20	5 46 18	2	LEAD STRAP
21	6 02 21	1	SURGE ARRESTER – 21 kV (RURAL)
22	7 38 XX	1	FUSE LINK – BUTTON HEAD – TYPE "T"
23	7 69 64	0.28	SCREWS – WOOD – #14 X 2-1/2" (100/BOX)
24	8 35 36	1	TERMINATOR – #2 AL
25	71 35 00	1	CABLE PREP KIT

MATERIAL LIST CONTINUED ON SHEET 3

BACK TO INDEX PAGE

**SaskPower** - DISTRIBUTION STANDARDS

APPROVAL	DESIGN CHK	DRN. PP	<b>SINGLE-PHASE TAKE-OFF STRUCTURE</b>
L MOEN	P PATEL	CHKD. LM	
		2022-01-07	
DATE OF ISSUE:	2022-08-15	DRAWING NO: B-12-10	SHEET 1 OF 3
			REV. I



NOTES:

1. STRUCTURE NOT TO BE PLACED ON POLE WITH TRANSFORMER.
2. TRENCH FOR CABLE TAKE-OFF TO BE IN LINE WITH OH CIRCUIT FOR AT LEAST FOUR (4) METERS TO HELP AVOID POLE LEAN DUE TO TRENCH BACKFILL.
3. REFER TO B-12-38 FOR TERMINATION DETAILS.
4. ALL DIMENSIONS ARE IN MILLIMETERS UNLESS OTHERWISE INDICATED.

SCALE: N.T.S.

B12\_10\_02

**SaskPower** – DISTRIBUTION STANDARDS

APPROVAL L.MOEN	DESIGN CHK. O.FRANCIS	DRN.D.REDEKOPP CHKD. 2020-08-19
--------------------	--------------------------	---------------------------------------

SINGLE-PHASE  
TAKE-OFF STRUCTURE

DATE OF ISSUE	2021-01-20	DRAWING NO.	B-12-10	SHEET 2 of 3	REV. G
---------------	------------	-------------	---------	--------------	--------

**BILL OF MATERIAL**

ITEM NO.	CODE NO.	QUANTITY	DESCRIPTION
26	05 385 151	-	TAG HOLDER – ALUMINUM – FOR 10 – 1" TAGS (SEE NOTE 3)
27	05 385 20X	-	TAG – NUMBER – YELLOW (SEE NOTE 3)
27	05 385 209	-	TAG – DASH – YELLOW (SEE NOTE 3)
27	05 385 25X	-	TAG – LETTER – YELLOW (SEE NOTE 3)
28	05 638 32X	5	DECAL – NUMBER – BLACK – 1-1/2" (SEE NOTE 2)
28	05 638 329	1	DECAL – DASH – BLACK – 1-1/2" (SEE NOTE 2)
28	05 638 4XX	3	DECAL – LETTER – BLACK – 1-1/2" (SEE NOTE 2)
29	05 640 000	1	SIGN – DANGER – HIGH VOLTAGE
30	05 640 006	1	SIGN – BLANK – REFLECTIVE – 3" X 18" (SEE NOTE 2)
31	05 646 582	1	DECAL – WATCH FOR WIRES

**NOTES:**

1. LOADBREAK CUTOUT IS CAPABLE OF ACCOMMODATING UP TO 2/0 CU (STOCK CODE 28320). HOWEVER, THE CONNECTORS, TERMINATOR SIZE & RISER AMPACITY MUST MATCH THE UNDERGROUND CABLE. THE RISER TO THE SURGE ARRESTOR MUST REMAIN #2 CU DUE TO SIZE RESTRICTIONS.
2. REFER TO A-30-05 FOR APPLICABLE STOCK CODES & MOUNTING DETAILS. CONFIGURATOR DEFAULTS TO THIS OPTION.
3. WHEN SPACE IS AN ISSUE THIS TAG HOLDER MAY BE USED INSTEAD OF THE REFLECTIVE SIGN. REFER TO A-30-05 FOR MOUNTING DETAILS & B-30-26 FOR APPLICABLE STOCK CODES.

**BACK TO INDEX PAGE**

**SaskPower** - DISTRIBUTION STANDARDS

APPROVAL	DESIGN CHK	DRN. <b>PP</b>	<b>SINGLE-PHASE TAKE-OFF STRUCTURE</b>
<b>L MOEN</b>	<b>P PATEL</b>	CHKD. <b>LM</b>	
		<b>2022-01-07</b>	
DATE OF ISSUE: <b>2022-08-15</b>	DRAWING NO: <b>B-12-10</b>	<b>SHEET 3 OF 3</b>	REV. <b>B</b>

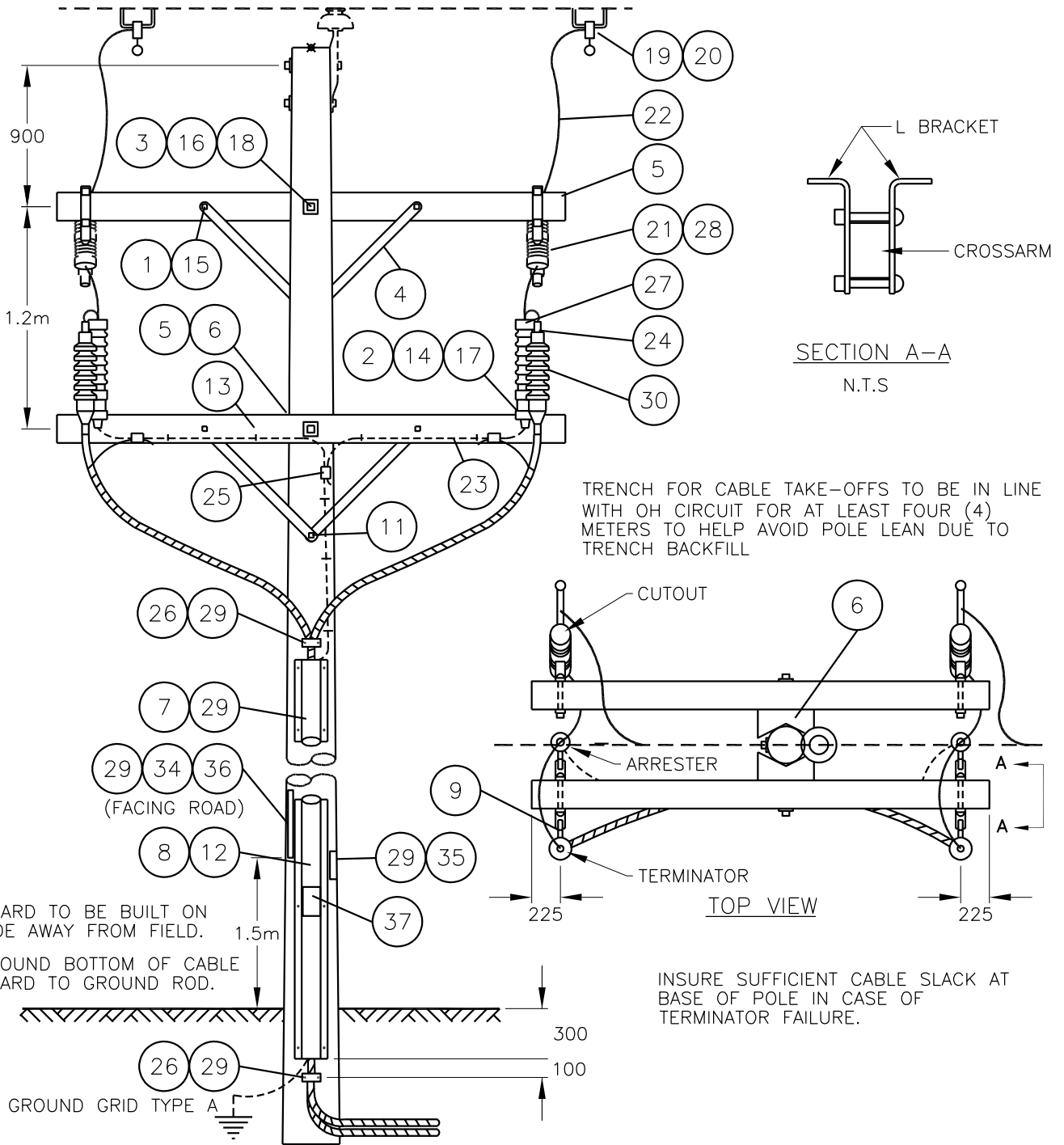
**BILL OF MATERIAL**

ITEM NO.	CODE NO.	QUANTITY	DESCRIPTION
1	1 08 38	4	BOLT – CARRIAGE – 3/8" X 4-1/2"
2	1 12 02	4	BOLT – MACHINE – 1/2" X 2"
3	1 13 18	2	BOLT – MACHINE – 5/8" X 18"
4	1 19 32	4	BRACE – CROSSARM – FLAT – 32"
5	1 29 10	2	CROSSARM – 4" X 5" X 10'
6	1 32 86	2	POLE GAIN – WOOD
7	1 34 09	3	GUARD – CABLE – PLASTIC – 2-1/2" X 8'
8	1 34 11	1	GUARD – CABLE – STEEL – 2-1/2" X 8'
9	1 35 XX	2	BRACKET – CABLE POSITIONER
10	1 35 32	4	BRACKET – CROSSARM
11	1 78 12	2	SCREW – LAG – 1/2" X 4-1/2"
12	1 78 38	6	SCREW – LAG – 3/8" X 4"
13	1 85 01	1/4 lb	STAPLE – FENCE – 1-3/4"
14	1 93 22	4	WASHER – LOCK – 1/2"
15	1 93 25	4	WASHER – LOCK – DOUBLE COIL – 3/8"
16	1 93 27	2	WASHER – LOCK – DOUBLE COIL – 5/8"
17	1 93 30	4	WASHER – ROUND – 9/16"
18	1 93 42	4	WASHER – SQUARE – 2-1/4" X 13/16" HOLE
19	2 02 82	2	CLAMP – BAIL – #6 TO 1/0 ACSR
20	2 02 70	2	CLAMP – LIVELINE
21	2 12 62	2	CUTOUT – LOADBREAK – 27 kV – 100 A (SEE NOTE 1)
22	2 83 02	6 m	WIRE – CU – #2 – 7 STR
23	2 83 04	9 m	WIRE – CU – #4 – 7 STR
24	5 09 27	2	CONNECTOR – AL – CRIMPIT – #3-1/0 TO #6-#2
25	5 12 06	3	CONNECTOR – CU – 4C4
26	5 46 18	2	LEAD STRAP
27	6 02 21	2	ARRESTER SURGE – 21 kV (RURAL)
28	7 38 XX	2	FUSE LINK – BUTTON HEAD – TYPE "T"
29	7 69 64	0.32	SCREWS – WOOD – #14 X 2-1/2" (100/BOX)
MATERIAL LIST CONTINUED ON SHEET 3			

**BACK TO INDEX PAGE**

**SaskPower - DISTRIBUTION STANDARDS**

APPROVAL	DESIGN CHK	DRN. PP	<b>SINGLE-PHASE DOUBLE TAKE-OFF STRUCTURE</b>
L MOEN	P PATEL	CHKD. LM	
		2022-01-07	
DATE OF ISSUE:	2022-08-15	DRAWING NO: B-12-11	SHEET 1 OF 3
			REV. I



**NOTE:**

1. FOR DEADEND STRUCTURE, TURN CUTOUT AND TERMINATOR ARMS 90°, SO THAT THE TERMINATOR CROSSARM IS UNDER THE GUY WIRE.
2. ARRESTERS ARE SHOWN OFFSET FOR CLARITY, REFER TO TOP VIEW FOR CORRECT ARRESTER LOCATION.
3. REFER TO B-12-38 FOR TERMINATION DETAILS.
4. ALL DIMENSIONS ARE IN MILLIMETERS UNLESS OTHERWISE INDICATED.

SCALE: N.T.S.

B12\_11\_02

**SaskPower** – DISTRIBUTION STANDARDS

APPROVAL L.MOEN	DESIGN CHK. O.FRANCIS	DRN.D.REDEKOPP CHKD. 2020-08-25
DATE OF ISSUE	2021-01-20	DRAWING NO. B-12-11

SINGLE-PHASE  
DOUBLE  
TAKE-OFF STRUCTURE



## BILL OF MATERIAL

ITEM NO.	CODE NO.	QUANTITY	DESCRIPTION
30	8 35 36	2	TERMINATOR – #2 AL
31	71 35 00	2	CABLE PREP KIT
32	05 385 151	-	TAG HOLDER – ALUMINUM – FOR 10 – 1" TAGS (SEE NOTE 3)
33	05 385 20X	-	TAG – NUMBER – YELLOW (SEE NOTE 3)
33	05 385 209	-	TAG – DASH – YELLOW (SEE NOTE 3)
33	05 385 25X	-	TAG – LETTER – YELLOW (SEE NOTE 3)
34	05 638 32X	3	DECAL – NUMBER – BLACK – 1-1/2" (SEE NOTE 2)
34	05 638 329	1	DECAL – DASH – BLACK – 1-1/2" (SEE NOTE 2)
34	05 638 4XX	5	DECAL – LETTER – BLACK – 1-1/2" (SEE NOTE 2)
35	05 640 000	2	SIGN – DANGER – HIGH VOLTAGE
36	05 640 006	1	SIGN – BLANK – REFLECTIVE – 3" X 18" (SEE NOTE 2)
37	05 646 582	1	DECAL – WATCH FOR WIRES
<p><b>NOTES:</b></p> <ol style="list-style-type: none"> <li>1. LOADBREAK CUTOUT IS CAPABLE OF ACCOMMODATING UP TO 2/0 CU (STOCK CODE 28320). HOWEVER, THE CONNECTORS, TERMINATOR SIZE &amp; RISER AMPACITY MUST MATCH THE UNDERGROUND CABLE. THE RISER TO THE SURGE ARRESTOR MUST REMAIN #2 CU DUE TO SIZE RESTRICTIONS.</li> <li>2. REFER TO A-30-05 FOR APPLICABLE STOCK CODES &amp; MOUNTING DETAILS. CONFIGURATOR DEFAULTS TO THIS OPTION.</li> <li>3. WHEN SPACE IS AN ISSUE THIS TAG HOLDER MAY BE USED INSTEAD OF THE REFLECTIVE SIGN. REFER TO A-30-05 FOR MOUNTING DETAILS &amp; B-30-26 FOR APPLICABLE STOCK CODES.</li> </ol>			

BACK TO INDEX PAGE

### SaskPower - DISTRIBUTION STANDARDS

APPROVAL	DESIGN CHK	DRN. PP	SINGLE-PHASE DOUBLE TAKE-OFF STRUCTURE
L MOEN	P PATEL	CHKD. LM	
		2022-01-07	
DATE OF ISSUE: 2022-08-15		DRAWING NO: B-12-11	SHEET 3 OF 3    REV. B

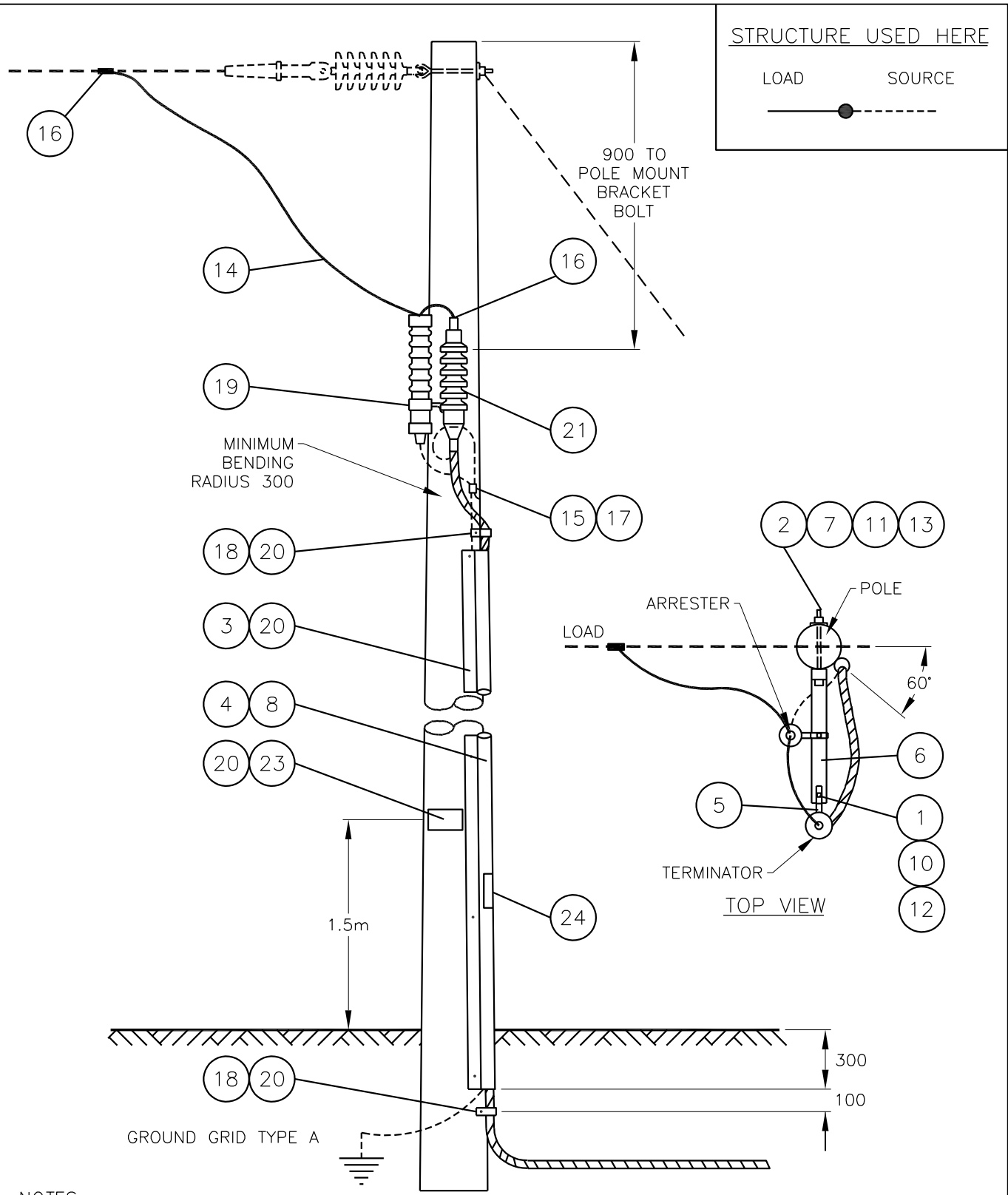
**BILL OF MATERIAL**

ITEM NO.	CODE NO.	QUANTITY	DESCRIPTION
1	1 12 02	2	BOLT – MACHINE – 1/2" X 2"
2	1 13 12	1	BOLT – MACHINE – 5/8" X 12"
3	1 34 09	3	GUARD – CABLE – PLASTIC – 2-1/2" X 8'
4	1 34 11	1	GUARD – CABLE – STEEL – 2-1/2" X 8'
5	1 35 XX	1	BRACKET – CABLE POSITIONER
6	1 35 31	1	BRACKET – "T" FOR ARRESTORS & CUTOUTS
7	1 78 12	1	SCREW – LAG – 1/2" X 4-1/2"
8	1 78 38	6	SCREW – LAG – 3/8" X 4"
9	1 85 01	1/4 lb	STAPLE – FENCE – 1-3/4"
10	1 93 22	2	WASHER – LOCK – 1/2"
11	1 93 27	1	WASHER – LOCK – 5/8"
12	1 93 30	2	WASHER – ROUND – 9/16"
13	1 93 42	1	WASHER – SQUARE – 2-1/4" X 2-1/4" X 13/16" HOLE
14	2 83 02	3 m	WIRE – CU – #2/7 STR
15	2 83 04	8 m	WIRE – CU – #4/7 STR
16	5 09 27	2	CONNECTOR – AL – CRIMPIT – #3-1/0 TO #6-#2
17	5 12 06	1	CONNECTOR – CU – 4C4
18	5 46 18	2	LEAD STRAP
19	6 02 21	1	SURGE ARRESTER – 21 (RURAL)
20	7 69 64	0.26	SCREW – WOOD – #14 X 2-1/2" (100/BOX)
21	8 35 36	1	TERMINATOR – #2 AL
22	71 35 00	1	CABLE PREP KIT
23	05 640 000	1	SIGN – DANGER “HIGH VOLTAGE”
24	05 646 582	1	DECAL – WATCH FOR WIRES

**BACK TO INDEX PAGE**

**SaskPower - DISTRIBUTION STANDARDS**

APPROVAL	DESIGN CHK	DRN. OFF	<b>REVERSE FROM U/G TO O/H TAKE-OFF ON RADIAL</b>
<b>L MOEN</b>	<b>O FRANCIS</b>	CHKD. LM	
		<b>2020-11-30</b>	
DATE OF ISSUE:	<b>2021-01-20</b>	DRAWING NO:	<b>B-12-12</b>
		<b>SHEET 1 OF 2</b>	REV. F



- NOTES:
1. REFER TO A-12-05 FOR DEAD END.
  2. BRACKET AND CABLE GUARD ARE GROUNDED.
  3. STRUCTURE NOT TO BE PLACED ON POLE WITH TRANSFORMER.
  4. REFER TO B-12-38 FOR TERMINATION DETAILS.
  5. ALL DIMENSIONS ARE IN MILLIMETERS UNLESS OTHERWISE INDICATED.

SCALE: N.T.S.

B12\_12\_02

<b>SaskPower</b> – DISTRIBUTION STANDARDS			
APPROVAL L.MOEN	DESIGN CHK. O.FRANCIS	DRN.D.REDEKOPP CHKD. 2020-08-26	REVERSE FROM U/G TO O/H TAKE-OFF ON RADIAL
DATE OF ISSUE	2021-01-20	DRAWING NO. B-12-12	SHEET 2 of 2
			REV. E

**BILL OF MATERIAL**

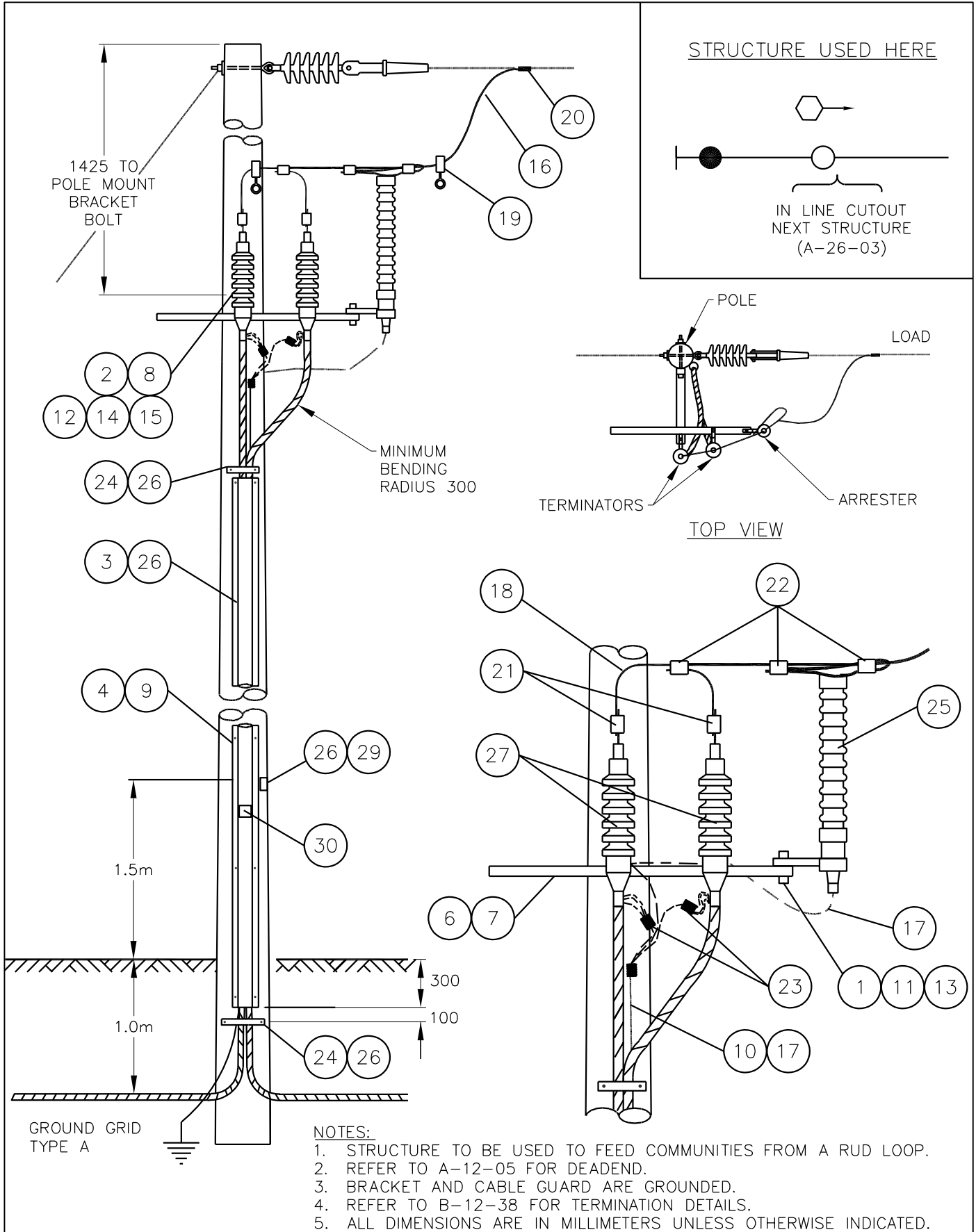
ITEM NO.	CODE NO.	QUANTITY	DESCRIPTION
1	1 12 02	3	BOLT – MACHINE – 1/2" X 2"
2	1 13 12	1	BOLT – MACHINE – 5/8" X 12"
3	1 34 09	3	GUARD – CABLE – PLASTIC – 2-1/2" X 8'
4	1 34 11	1	CABLE – GUARD – STEEL – 2-1/2" X 8'
5	1 35 XX	2	BRACKET – CABLE POSITIONER
6	1 35 33	1	BRACKET – RUD FOR ARRESTOR, CUTOUT & TERMINATOR
7	1 35 35	1	BRACKET – INSULATING GUARD
8	1 78 12	1	SCREW – LAG – 1/2" X 4-1/2"
9	1 78 38	6	SCREW – LAG – 3/8" X 4"
10	1 85 01	1/4 lb	STAPLE – FENCE – 1-3/4"
11	1 93 22	3	WASHER – LOCK – 1/2"
12	1 93 27	1	WASHER – LOCK – DOUBLE COIL – 5/8"
13	1 93 30	2	WASHER – ROUND – 1-3/8" X 9/16" HOLE
14	1 93 33	2	WASHER – ROUND – 1-3/4" X 11/16" HOLE
15	1 93 42	1	WASHER – SQUARE – 2-1/4" X 2-1/4" X 13/16" HOLE
16	2 83 02	2 m	WIRE – CU – #2/7 STR
17	2 83 04	4 m	WIRE – CU – #4/7 STR
18	2 84 02	1 m	WIRE – CU – #2 SOLID
19	5 06 97	2	FAULT INDICATOR – LOGIC CONTROLLED 4 STEP
20	5 09 27	1	CONNECTOR – AL – CRIMPIT – #3-1/0 TO #6-#2
21	5 11 15	2	INSULINK – ORANGE/ORANGE
22	5 12 01	3	CONNECTOR – CU – 2C2
23	5 12 08	2	CONNECTOR – CU – 2C4
24	5 46 18	2	LEAD STRAP
25	6 02 21	1	ARRESTER SURGE – 21 kV (RURAL)
26	7 69 64	0.26	SCREW – WOOD – #14" X 2-1/2" (100/BOX)
27	8 35 36	2	TERMINATOR – #2 AL
28	71 35 00	2	CABLE PREP KIT
29	05 640 000	1	SIGN – DANGER HIGH VOLTAGE
30	05 641 535	1	DECAL – DANGER UNDERGROUND CABLE

**BACK TO INDEX PAGE**

**SaskPower - DISTRIBUTION STANDARDS**

APPROVAL	DESIGN CHK	DRN. OFF	<b>SINGLE-PHASE, OVERHEAD STRUCTURE TO FEED COMMUNITIES FROM A RUD LOOP</b>
<b>L MOEN</b>	<b>O FRANCIS</b>	CHKD. LM	
		<b>2020-12-02</b>	
DATE OF ISSUE:	<b>2021-01-20</b>	DRAWING NO: <b>B-12-13</b>	<b>SHEET 1 OF 2</b>   REV. D

BACK TO INDEX PAGE



SCALE: N.T.S.

B12\_13\_02

**SaskPower** – DISTRIBUTION STANDARDS

APPROVAL L.MOEN	DESIGN CHK. O.FRANCIS	DRN.D.REDEKOPP CHKD. 2020-08-27
DATE OF ISSUE	2021-01-20	DRAWING NO. B-12-13

SINGLE PHASE, OVERHEAD STRUCTURE  
TO FEED COMMUNITIES FROM  
A RUD LOOP

SHEET 2 of 2 REV. B

**BILL OF MATERIAL**

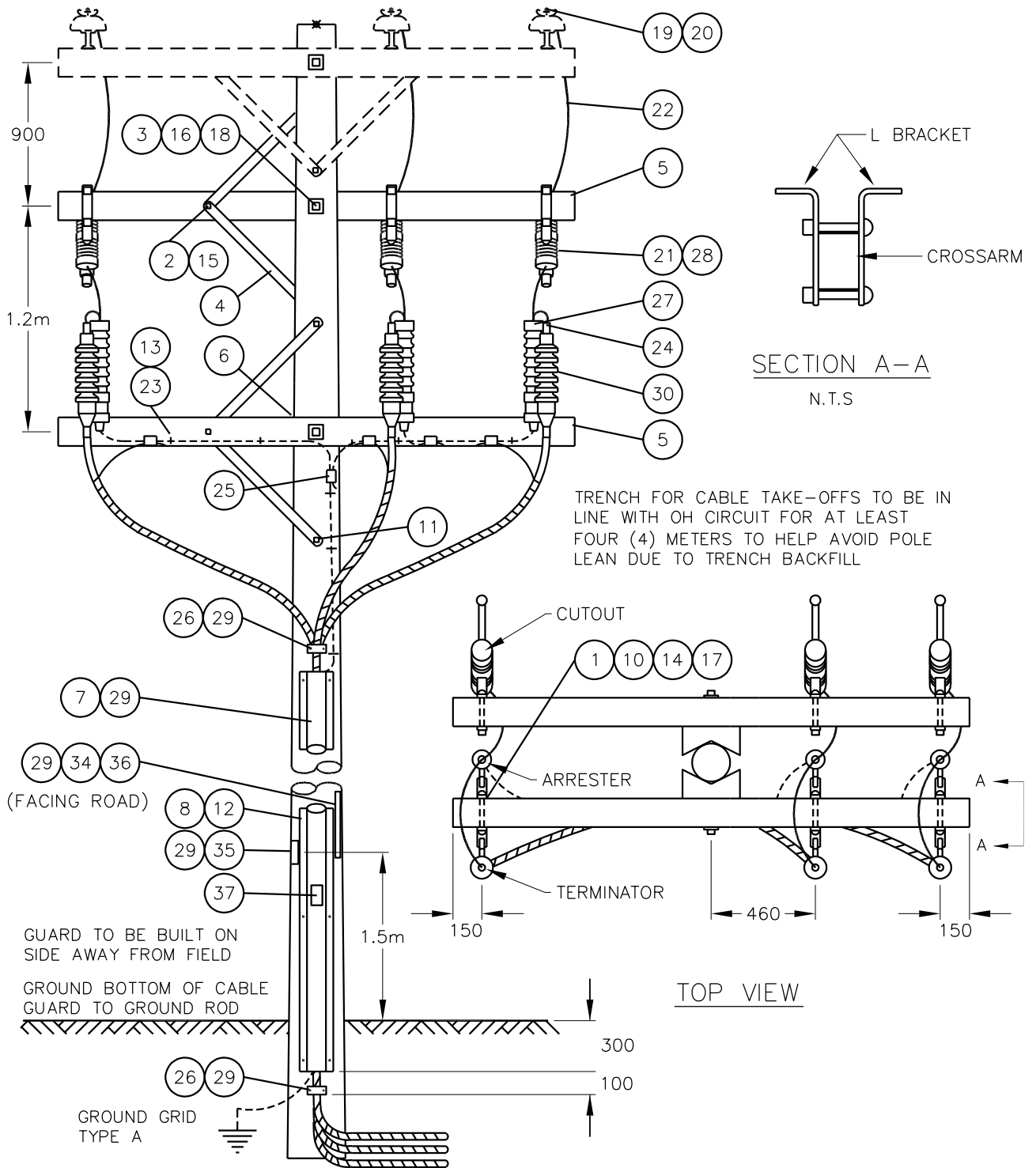
ITEM NO.	CODE NO.	QUANTITY	DESCRIPTION
1	1 12 02	6	BOLT – MACHINE – 1/2" X 2"
2	1 08 38	2	BOLT – CARRIAGE – 3/8" X 4-1/2"
3	1 13 18	2	BOLT – MACHINE – 5/8" X 18"
4	1 19 32	4	BRACE – CROSSARM – FLAT – 32"
5	1 29 10	2	CROSSARM – 4" X 5" X 10'
6	1 32 86	2	POLE GAIN – WOOD
7	1 34 08	3	GUARD – CABLE – PLASTIC – 4" X 8'
8	1 34 10	1	GUARD – CABLE – STEEL – 4" X 8'
9	135 XX	3	BRACKET – CABLE POSITIONER
10	1 35 32	6	BRACKET – CROSSARM
11	1 78 12	4	SCREW – LAG – 1/2" X 4-1/2"
12	1 78 38	6	SCREW – LAG – 3/8" X 4"
13	1 85 01	1/4 lb	STAPLE – FENCE – 1-3/4"
14	1 93 22	6	WASHER – LOCK – 1/2"
15	1 93 25	2	WASHER – LOCK – DOUBLE COIL – 3/8"
16	1 93 27	2	WASHER – LOCK – DOUBLE COIL – 5/8"
17	1 93 30	6	WASHER – ROUND – 9/16" HOLE
18	1 93 42	2	WASHER – SQUARE – 2-1/4" X 13/16" HOLE
19	2 02 82	3	CLAMP – BAIL – #6 TO 1/0 ACSR
20	2 02 70	3	CLAMP – LIVELINE
21	2 12 62	3	CUTOUT – LOADBREAK – 27 kV – 100 A (SEE NOTE 1)
22	2 83 02	9 m	WIRE – CU – #2 – 7 STR
23	2 83 04	11 m	WIRE – CU – #4 – 7 STR
24	5 09 27	3	CONNECTOR – AL – CRIMPIT – #3-1/0 TO #6-#2
25	5 12 06	6	CONNECTOR – CU – 4C4
26	5 46 18	2	LEAD STRAP
27	6 02 21	3	SURGE ARRESTER – 21 kV (RURAL)
28	7 38 XX	3	FUSE LINK – BUTTON HEAD – TYPE "T"
29	7 69 64	0.30	SCREWS – WOOD – #14 X 2" HEX HEAD (100/BOX)
30	8 35 XX	3	TERMINATOR – CABLE
31	71 35 00	2	CABLE PREP KIT

MATERIAL LIST CONTINUED ON SHEET 3

BACK TO INDEX PAGE

**SaskPower** - DISTRIBUTION STANDARDS

APPROVAL	DESIGN CHK	DRN. PP	<b>THREE-PHASE TAKE-OFF STRUCTURE</b>		
L MOEN	P PATEL	CHKD. LM			
		2022-01-07			
DATE OF ISSUE:	2022-08-15	DRAWING NO:	B-12-15	SHEET 1 OF 3	REV. I



NOTES:

1. FOR FEEDER DIPS USE DRAWING B-14-16.
2. FOR DEADEND STRUCTURE, THE TERMINATOR CROSSARM IS UNDER THE GUY WIRE.
3. ARRESTERS ARE SHOWN OFFSET FOR CLARITY, REFER TO TOP VIEW FOR CORRECT ARRESTER LOCATION.
4. FRAMING ON A NEW STRUCTURE, THE PREFERRED LOCATION FOR THE ARRESTER ARM IS UNDER THE CONDUCTOR ARM. THE ARRESTER ARM AND TERMINATOR ARM MAY BE TURNED 90° FOR CORRECT PHASING.
5. REFER TO B-12-38 FOR TERMINATION DETAILS.
6. ALL DIMENSIONS ARE IN MILLIMETERS UNLESS OTHERWISE INDICATED.

SCALE: N.T.S.

B12\_15\_02

**SaskPower** – DISTRIBUTION STANDARDS

APPROVAL L.MOEN	DESIGN CHK. O.FRANCIS	DRN.D.REDEKOPP CHKD. 2020-08-27
DATE OF ISSUE	2021-01-20	DRAWING NO. B-12-15

THREE-PHASE  
TAKE-OFF STRUCTURE

**BILL OF MATERIAL**

ITEM NO.	CODE NO.	QUANTITY	DESCRIPTION
32	05 385 151	-	TAG HOLDER – ALUMINUM – FOR 10 – 1" TAGS (SEE NOTE 3)
33	05 385 20X	-	TAG – NUMBER – YELLOW (SEE NOTE 3)
33	05 385 209	-	TAG – DASH – YELLOW (SEE NOTE 3)
33	05 385 25X	-	TAG – LETTER – YELLOW (SEE NOTE 3)
34	05 638 32X	5	DECAL – NUMBER – BLACK – 1-1/2" (EE NOTE 2)
34	05 638 329	1	DECAL – DASH – BLACK – 1-1/2" (SEE NOTE 2)
34	05 638 4XX	3	DECAL – LETTER – BLACK – 1-1/2" (SEE NOTE 2)
35	05 640 000	1	SIGN – DANGER – HIGH VOLTAGE
36	05 640 006	1	SIGN – BLANK – REFLECTIVE – 3" X 18" (SEE NOTE 2)
37	05 646 582	1	DECAL – WATCH FOR WIRES
<p><b>NOTES:</b></p> <p>1. LOADBREAK CUTOUT IS CAPABLE OF ACCOMMODATING UP TO 2/0 CU (STOCK CODE 28320). HOWEVER, THE CONNECTORS, TERMINATOR SIZE &amp; RISER AMPACITY MUST MATCH THE UNDERGROUND CABLE. THE RISER TO THE SURGE ARRESTOR MUST REMAIN #2 CU DUE TO SIZE RESTRICTIONS.</p> <p>2. REFER TO A-30-05 FOR APPLICABLE STOCK CODES &amp; MOUNTING DETAILS. CONFIGURATOR DEFAULTS TO THIS OPTION.</p> <p>3. WHEN SPACE IS AN ISSUE THIS TAG HOLDER MAY BE USED INSTEAD OF THE REFLECTIVE SIGN. REFER TO A-30-05 FOR MOUNTING DETAILS &amp; B-30-26 FOR APPLICABLE STOCK CODES.</p>			

**BACK TO INDEX PAGE**

**SaskPower** - DISTRIBUTION STANDARDS

APPROVAL	DESIGN CHK	DRN. <b>PP</b>	<b>THREE-PHASE TAKE-OFF STRUCTURE</b>
<b>L MOEN</b>	<b>P PATEL</b>	CHKD. <b>LM</b>	
		<b>2022-01-07</b>	
DATE OF ISSUE:	<b>2022-08-15</b>	DRAWING NO:	<b>B-12-15</b> <b>SHEET 3 OF 3</b> <b>REV. B</b>



**BILL OF MATERIAL**

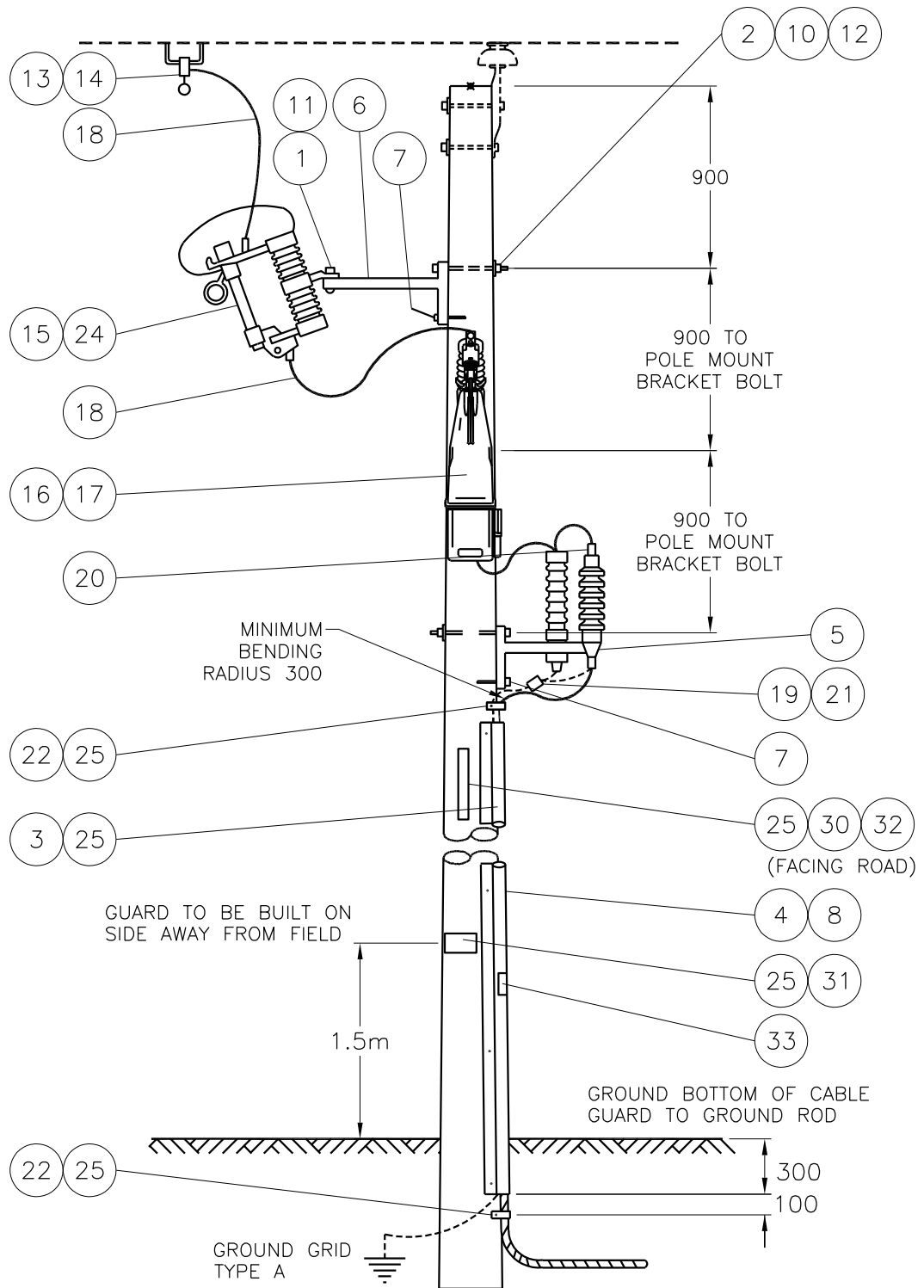
ITEM NO.	CODE NO.	QUANTITY	DESCRIPTION
1	1 12 02	3	BOLT – MACHINE – 1/2" X 2"
2	1 13 12	3	BOLT – MACHINE – 5/8" X 12"
3	1 34 09	3	GUARD – CABLE – PLASTIC – 2-1/2" X 8'
4	1 34 11	1	GUARD – CABLE – STEEL – 2-1/2" X 8'
5	1 35 XX	1	BRACKET – CABLE POSITIONER
6	1 35 31	3	BRACKET – "T" FOR ARRESTORS & CUTOUTS
7	1 78 12	3	SCREW – LAG – 1/2" X 4-1/2"
8	1 78 38	6	SCREW – LAG – 3/8" X 4"
9	1 85 01	1/4 lb	STAPLE – FENCE – 1-3/4"
10	1 93 27	3	WASHER – DOUBLE COIL – 5/8"
11	1 93 30	6	WASHER – ROUND – 9/16"
12	1 93 42	3	WASHER – SQUARE – 2-1/4" X 2-1/4" X 13/16" HOLE
13	2 02 70	1	CLAMP – LIVELINE
14	2 02 82	1	CLAMP – BAIL – #6-1/0 ASCR
15	2 12 62	1	CUTOUT – LOADBREAK – 27 kV – 100 AMP
16	2 12 67	1	CUTOUT – NON-LOADBREAK – 27 kV – 100 AMP
17	2 44 50	1	RECLOSER – TRIPSAVER II
18	2 83 02	5 m	WIRE – CU – #2/7 STR
19	2 83 04	8 m	WIRE – CU – #4/7 STR
20	5 09 27	1	CONNECTOR – COMPRESSION – AL
21	5 12 06	1	CONNECTOR – CU – 4C4
22	5 46 18	2	LEAD STRAP
23	6 02 21	1	SURGE ARRESTER – 21 kV (RURAL)
24	7 38 98	1	FUSELINK – 200 AMP
25	7 69 64	0.28	SCREW – WOOD – #14 X 2-1/2" (100/BOX)
26	8 35 36	1	TERMINATOR – #2 AL
27	71 35 00	1	CABLE PREP KIT

MATERIAL LIST CONTINUED ON SHEET 3

BACK TO INDEX PAGE

**SaskPower** - DISTRIBUTION STANDARDS

APPROVAL	DESIGN CHK	DRN. OFF	<b>SINGLE-PHASE TRIPSAVER II TAKE-OFF STRUCTURE</b>
<b>L MOEN</b>	<b>O. FRANCIS</b>	CHKD. LM	
		<b>2020-12-03</b>	
DATE OF ISSUE:	<b>2021-01-20</b>	DRAWING NO:	<b>B-12-16</b>
		<b>SHEET 1 OF 3</b>	<b>REV. A</b>



**NOTES:**

1. STRUCTURE NOT TO BE PLACED ON POLE WITH TRANSFORMER.
2. TRENCH FOR CABLE TAKE-OFF TO BE IN LINE WITH OH CIRCUIT FOR AT LEAST FOUR (4) METERS TO HELP AVOID POLE LEAN DUE TO TRENCH BACKFILL.
3. REFER TO B-12-38 FOR TERMINATION DETAILS.
4. ALL DIMENSIONS ARE IN MILLIMETERS UNLESS OTHERWISE INDICATED.

SCALE: N.T.S.

<b>SaskPower</b> – DISTRIBUTION STANDARDS				
APPROVAL L.MOEN	DESIGN CHK. L.MOEN	DRN.D.REDEKOPP CHKD.	SINGLE-PHASE TRIPSAVER II TAKE-OFF STRUCTURE	
		2021-01-06		
DATE OF ISSUE	2021-01-20	DRAWING NO.	B-12-16	SHEET 2 of 3
				REV. B

**BILL OF MATERIAL**

ITEM NO.	CODE NO.	QUANTITY	DESCRIPTION
28	05 385 151	-	TAG HOLDER – ALUMINUM – FOR 10 – 1" TAGS – SEE NOTE 2
29	05 385 20X	-	TAG – NUMBER – YELLOW – SEE NOTE 2
29	05 385 209	-	TAG – DASH – YELLOW – SEE NOTE 2
29	05 385 25X	-	TAG – LETTER – YELLOW – SEE NOTE 2
30	05 638 32X	3	DECAL – NUMBER – BLACK – 1-1/2" – SEE NOTE 1
30	05 638 329	1	DECAL – DASH – BLACK – 1-1/2" – SEE NOTE 1
30	05 638 4XX	5	DECAL – LETTER – BLACK – 1-1/2" – SEE NOTE 1
31	05 640 000	2	SIGN – DANGER – HIGH VOLTAGE
32	05 640 006	1	SIGN – BLANK – REFLECTIVE – 3" X 18" – SEE NOTE 1
33	05 646 582	1	DECAL – WATCH FOR WIRES

**NOTES:**

1. REFER TO A-30-05 FOR APPLICABLE STOCK CODES & MOUNTING DETAILS. CONFIGURATOR DEFAULTS TO THIS OPTION.
2. WHEN SPACE IS AN ISSUE THIS TAG HOLDER MAY BE USED INSTEAD OF THE REFLECTIVE SIGN. REFER TO A-30-05 FOR MOUNTING DETAILS & B-30-26 FOR APPLICABLE STOCK CODES.

**BACK TO INDEX PAGE**

**SaskPower** - DISTRIBUTION STANDARDS

APPROVAL	DESIGN CHK	DRN. OFF	<b>SINGLE-PHASE TRIPSAVER II TAKE-OFF STRUCTURE</b>		
<b>L MOEN</b>	<b>O FRANCIS</b>	CHKD. LM			
		<b>2020-12-02</b>			
DATE OF ISSUE:	<b>2021-01-20</b>	DRAWING NO:	<b>B-12-16</b>	<b>SHEET 3 OF 3</b>	REV. <b>A</b>

**BILL OF MATERIAL**

ITEM NO.	CODE NO.	QUANTITY	DESCRIPTION
1	1 12 02	1	BOLT – MACHINE – 1/2" X 2"
2	1 13 12	1	BOLT – MACHINE – 5/8" X 12"
3	1 34 09	3	GUARD – CABLE – PLASTIC – 2-1/2" X 8'
4	1 34 11	1	GUARD – CABLE – STEEL – 2-1/2" X 8'
5	1 35 33	1	BRACKET – RUD FOR ARRESTOR, CUTOUT & TERMINATOR
6	1 35 34	0	BRACKET – CLEARANCE
7	1 35 35	1	BRACKET – INSULATING GUARD
8	1 78 12	1	SCREW – LAG – 1/2" X 4-1/2"
9	1 78 38	10	SCREW – LAG – 3/8" X 4"
10	1 85 01	1/4 lb	STAPLE – FENCE – 1-3/4"
11	1 93 30	1	WASHER – ROUND – 9/16"
12	1 93 33	2	WASHER – ROUND – 11/16"
13	1 93 42	1	WASHER – SQUARE – 2-1/4" X 13/16" HOLE
14	2 83 04	3 m	WIRE – CU – #4 – 7 STR
15	2 84 02	1 m	WIRE – CU – #2 SOLID
16	5 11 15	1	INSULINK – ORANGE/ORANGE
17	5 12 01	1	CONNECTOR – CU – 2C2
18	5 12 06	2	CONNECTOR – CU – 4C4
19	5 12 08	1	CONNECTOR – CU – 2C4
20	5 46 18	1	STRAP – LEAD
21	7 37 06	X	FUSE LINK – TRIP-O-LINK – 6A
22	7 38 06	X	FUSE LINK – BUTTON HEAD – TYPE "T" – 6A
23	7 69 64	0.30	SCREWS – WOOD – #14 X 2-1/2" (100/BOX)
24	8 35 36	1	TERMINATOR – #2 AL
25	71 35 00	1	CABLE PREP KIT
26	05 640 000	2	SIGN – DANGER – HIGH VOLTAGE
27	05 641 535	1	DECAL – DANGER – UNDERGROUND CABLE

**NOTE:**

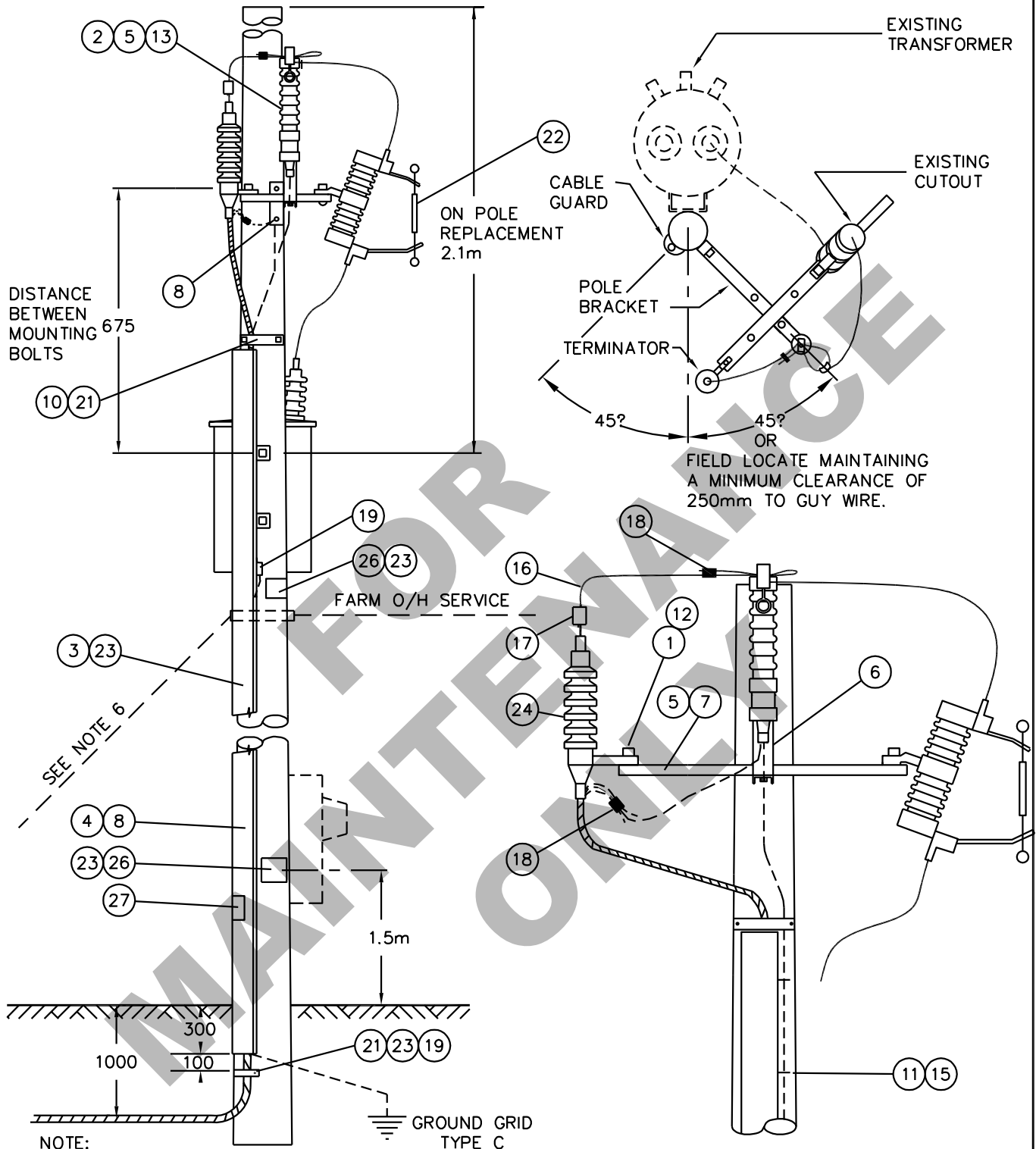
- RE-USE THE FOLLOWING: 2 12 XX CUTOUT, 6 02 XX ARRESTER, 2 83 02 #2 CU RISER, 2 02 71 LIVELINE CLAMP.
- IF REQUIRED, USE THE FOLLOWING: 2 12 20 OR 2 12 67 CUTOUT AS REQ'D, 6 02 21 ARRESTER

**SaskPower** - DISTRIBUTION STANDARDS

APPROVAL	DESIGN CHK	DRN. <b>PP</b>	<b>SINGLE-PHASE, RADIAL FEED CABLE STRUCTURE WITH EXISTING POLE-MOUNTED TRANSFORMER</b>
<b>L MOEN</b>	<b>P PATEL</b>	CHKD. <b>LM</b>	
		<b>2022-01-07</b>	
DATE OF ISSUE: <b>2022-08-15</b>		DRAWING NO: <b>B-12-20</b>	<b>SHEET 1 OF 2</b>   REV. <b>I</b>

**BACK TO INDEX PAGE**

BACK TO INDEX PAGE



NOTE:

1. REFER TO A-33 FOR GROUND GRID TYPE.
  2. REFER TO A-24 FOR FARM METERING.
  3. CABLE GUARD AND BRACKETS TO BE GROUNDED.
  4. EXISTING ARRESTER TO BE MOVED FROM TRANSFORMER TO BRACKET.
  5. INSTALL DANGER SIGNS IF MISSING
  6. FOR POLE LEAN USE A-32-06 DOWN GUY AND A-32-12 ANCHOR AT THE SHORT GUY DISTANCE.
- SCALE: N.T.S. ALL DIMENSIONS ARE IN MILLIMETRES UNLESS OTHERWISE INDICATED

INSURE SUFFICIENT CABLE SLACK AT BASE OF POLE IN CASE OF TERMINATOR FAILURE

SaskPower - DISTRIBUTION STANDARDS

DRN.	DESIGN CHK.	APPROVAL	SINGLE PHASE, RADIAL FEED CABLE STRUCTURE WITH EXISTING POLE-MOUNTED TRANSFORMER
CHKD.			
DATE	DATE	DATE	
DATE OF ISSUE	2007/04/16	DRAWING NO.	B-12-20 SHEET 2 of 2 REV. G

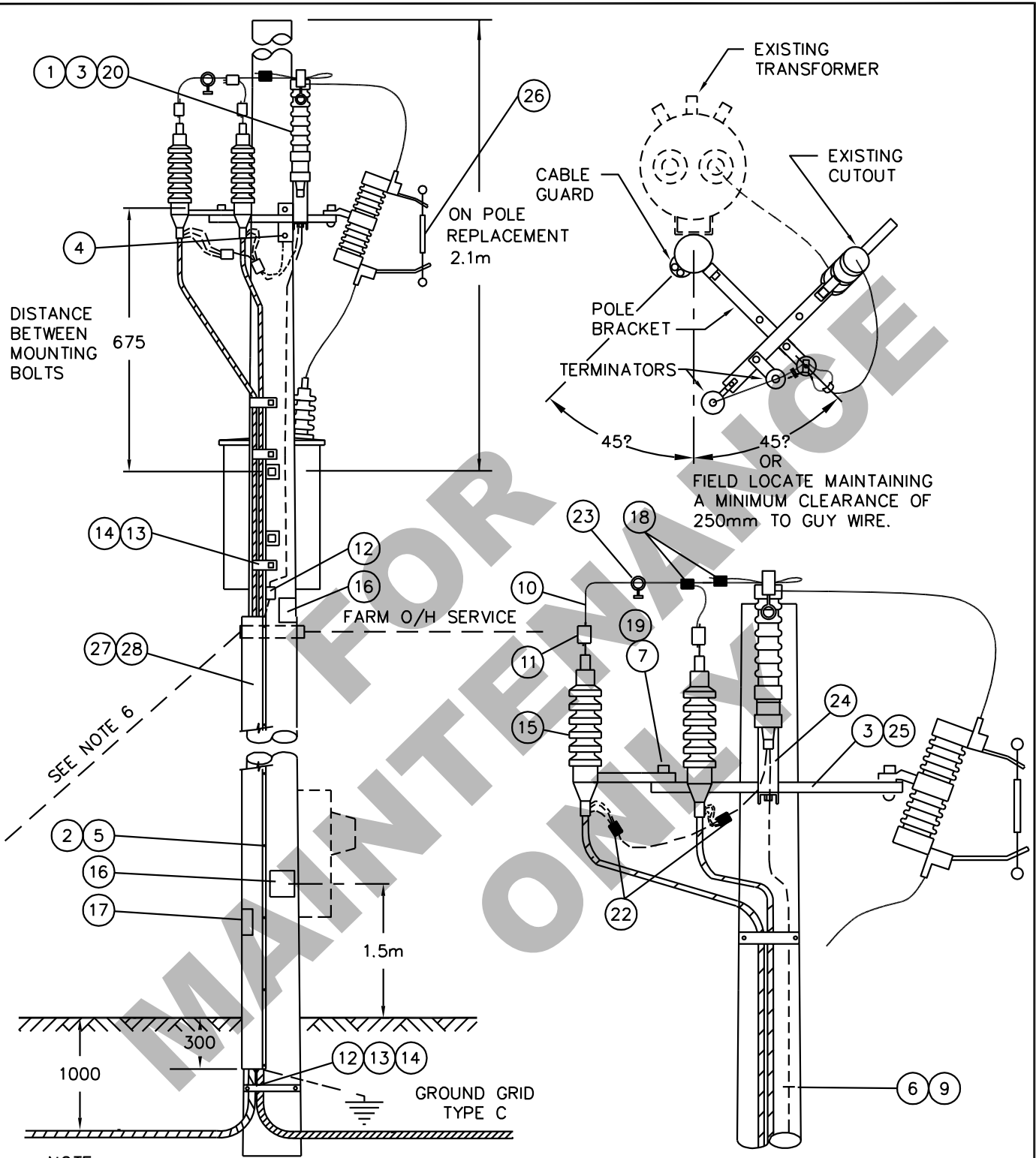
**BILL OF MATERIAL**

ITEM NO.	CODE NO.	QUANTITY	DESCRIPTION
1	1-13-12	1	BOLT MACHINE - 5/8" x 12"
2	1-34-11	1	CABLE GUARD STEEL - 2 1/2" x 8'
3	1-35-33	1	BRACKET POLE - MOUNT
4	1-78-12	1	SCREW LAG - 1/2" x 4 1/2"
5	1-78-38	8	SCREW LAG - 3/8" x 4"
6	1-85-01	1/4 lb	STAPLE FENCE - 1 3/4"
7	1-93-30	2	WASHER ROUND - 9/16"
8	1-93-42	1	WASHER SQUARE - 2 1/4" x 2 1/4" x 13/16" HOLE
9	2-83-04	4 m	WIRE CU - #4/7 STR
10	2-84-02	1 m	WIRE CU - #2 SOLID
11	5-11-15	2	INSULINK - ORANGE/ORANGE
12	5-12-06	2	CONNECTOR CU-YC4C4
13	5-46-18	2	STRAP LEAD
14	7-69-64	0.10	SCREW WOOD - #14 x 2 1/2" (100/BOX)
15	8-35-36	2	TERMINATOR - #2 AL
16	05-640-000	2	SIGN - DANGER HIGH VOLTAGE
17	05-641-535	1	SIGN SELF-ADHESIVE - DANGER UNDERGROUND CABLE
18	5-12-01	2	CONNECTOR CU-YC2C2
19	1-12-02	3	BOLT MACHINE - 1/2" x 2"
20	1-93-33	2	WASHER ROUND - 11/16"
21	71-35-00	2	KIT - CABLE PREPARATION
22	5-12-08	2	CONNECTOR CU-YC2C4
23	5-06-97	1	FAULT INDICATOR - OVERHEAD 60 AMP TRIP
24	1-35-34	0	BRACKET - CLEARANCE
25	1-35-35	1	BRACKET - INSULATING GUARD
26	7-37-06	1	FUSE LINK - 6T
27	1-34-09	2	GUARD CABLE PLASTIC - 2 1/2" x 8' (SEE NOTE 3)
27	1-34-11	2	GUARD CABLE STEEL - 2 1/2" x 8' (SEE NOTE 3)
28	1-78-38	10	SCREW LAG - 3/8" X 4" (SEE NOTE 3)
28	7-69-64	0.12	SCREW WOOD - #14 x 2 1/2" (100/BOX)
			<p><b>NOTE:</b></p> <p>1. RE-USE THE FOLLOWING: 2-12-XX CUTOUT, 6-02-XX ARRESTER, 2-83-02 #2 CU RISER, 2-02-71 LIVELINE CLAMP.</p> <p>2. IF REQUIRED, USE THE FOLLOWING: 2-12-20 OR 2-12-67 CUTOUT AS REQ'D, 6-02-21 ARRESTER.</p> <p>3. WHEN PLASTIC GUARDS NOT AVAILABLE USE STEEL GUARDS WITH LAG SCREWS.</p>

**BACK TO INDEX PAGE**

**SaskPower** - DISTRIBUTION STANDARDS

DRN.	DESIGN CHK.	APPROVAL	<b>SINGLE-PHASE, LOOP FEED CABLE STRUCTURE WITH EXISTING POLE-MOUNTED TRANSFORMER</b>
CHKD.			
DATE	DATE	DATE	
DATE OF ISSUE <b>96-07-26</b>		DRAWING NO: <b>B-12-21</b>	<b>SHEET 1 OF 2</b>   REV. <b>F</b>



- NOTE:
1. REFER TO A-33 FOR GROUND GRID TYPE.
  2. REFER TO A-24 FOR FARM METERING.
  3. CABLE GUARD AND BRACKETS TO BE GROUNDED.
  4. EXISTING ARRESTER TO BE MOVED FROM TRANSFORMER TO BRACKET.
  5. INSTALL DANGER SIGNS IF MISSING
  6. FOR POLE LEAN USE A-32-06 DOWN GUY AND A-32-12 ANCHOR AT THE SHORT GUY DISTANCE.
- SCALE: N.T.S. ALL DIMENSIONS ARE IN MILLIMETRES UNLESS OTHERWISE INDICATED

**Sask Power** - DISTRIBUTION STANDARDS

DRN.	DESIGN CHK.	APPROVAL	SINGLE PHASE, LOOP FEED CABLE STRUCTURE WITH EXISTING POLE-MOUNTED TRANSFORMER
CHKD.	DATE	DATE	
DATE OF ISSUE			
DRAWING NO. B-12-21		SHEET 2 of 2	REV. E

**BILL OF MATERIAL**

ITEM NO.	CODE NO.	QUANTITY		DESCRIPTION
		A	B	
1	1 34 08	0	3	CABLE GUARD – PLASTIC – 4" X 8'
1	1 34 09	3	0	CABLE GUARD – PLASTIC – 2-1/2" X 8'
2	1 34 10	0	1	CABLE GUARD – STEEL – 4" X 8'
2	1 34 11	1	0	CABLE GUARD – STEEL – 2-1/2" X 8'
3	1 78 38	6	6	SCREW – LAG – 3/8" X 4"
4	2 65 84	3	3	HYLUG – 1/0 (SEE NOTE 2)
5	5 09 XX	1	1	CONNECTOR – AL – CRIMPIT (SEE NOTE 2)
6	5 12 06	3	3	CONNECTOR – CU – 4C4
7	5 46 18	1	1	STRAP – LEAD
8	7 69 64	0.28	0.28	SCREW – WOOD – #14 X 2-1/2" (100/BOX)
9	05 640 000	1	1	SIGN – DANGER H.V.
10	05 646 582	1	1	DECAL – WATCH FOR WIRES

**NOTE:**

1. COLUMN 'A' FOR 2.5" DUCT  
COLUMN 'B' FOR 4" DUCT

2. REFER TO SECTION A-36 FOR SPECIFIC MATERIAL REQUIREMENTS.

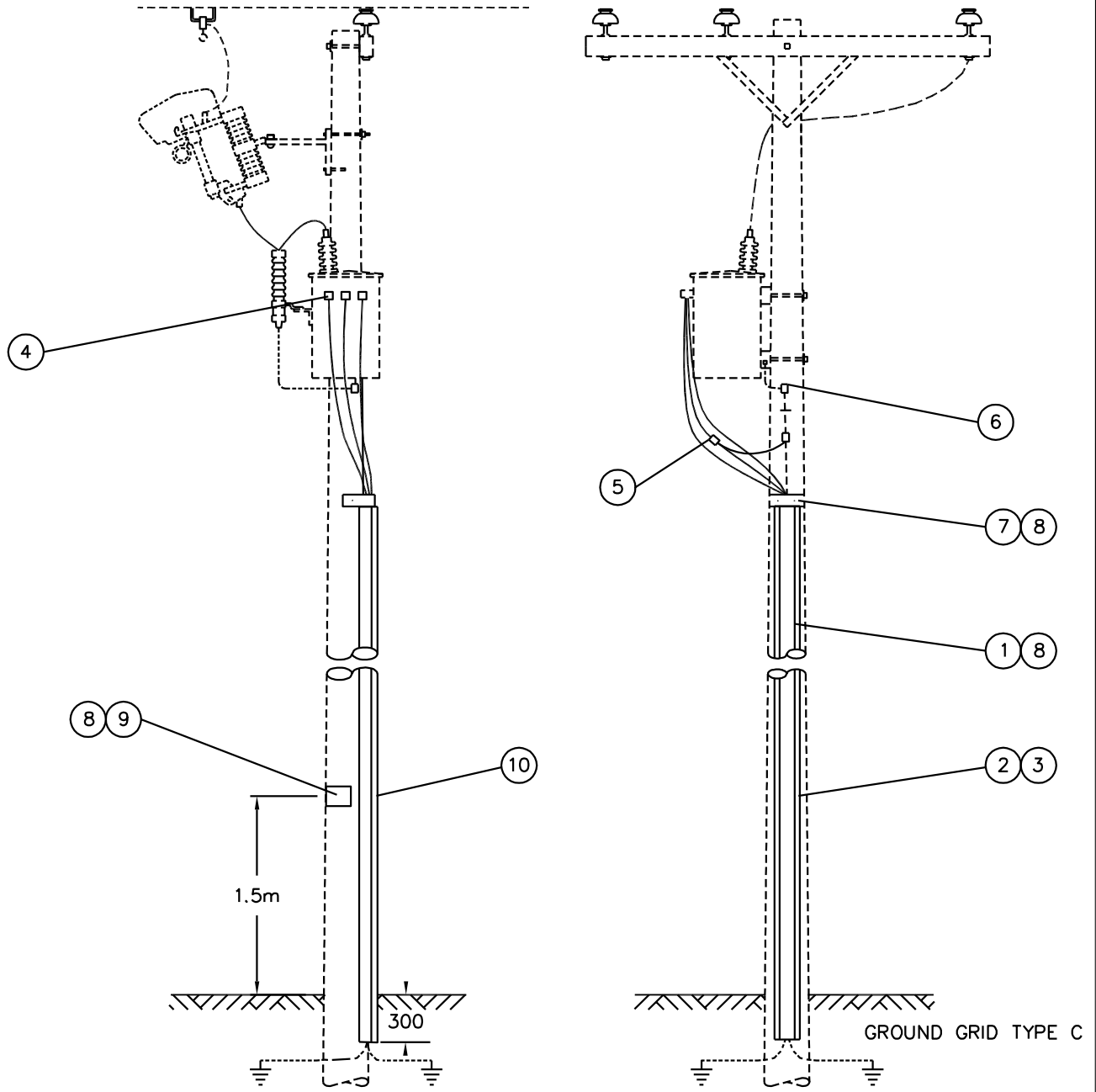
**BACK TO INDEX PAGE**

**SaskPower - DISTRIBUTION STANDARDS**

APPROVAL	DESIGN CHK	DRN. PP	<b>RUD SECONDARY TAKE-OFF STRUCTURE</b>
<b>L MOEN</b>	<b>P PATEL</b>	CHKD. LM	
		<b>2021-06-22</b>	
DATE OF ISSUE: <b>2022-01-10</b>		DRAWING NO. <b>B-12-22</b>	<b>SHEET 1 OF 2</b>   REV. F



BACK TO INDEX PAGE



1. REFER TO A-08-08, A-12-51 AND A-33-01C FOR OTHER CONSTRUCTION.
2. REFER TO B-22-10 FOR MAXIMUM SECONDARY CABLE LENGTHS.
3. GROUND BOTTOM OF CABLE GUARD TO GROUND ROD.

SCALE: N.T.S. ALL DIMENSIONS ARE IN MILLIMETRES UNLESS OTHERWISE INDICATED

**SaskPower** - DISTRIBUTION STANDARDS

DRN.	M.T.S.	DESIGN CHK.	APPROVAL	RUD SECONDARY TAKE-OFF STRUCTURE
CHKD.				
DATE				
DATE OF ISSUE: 2007/04/16		DRAWING NO. B-12-22		SHEET 2 of 2
				REV. E

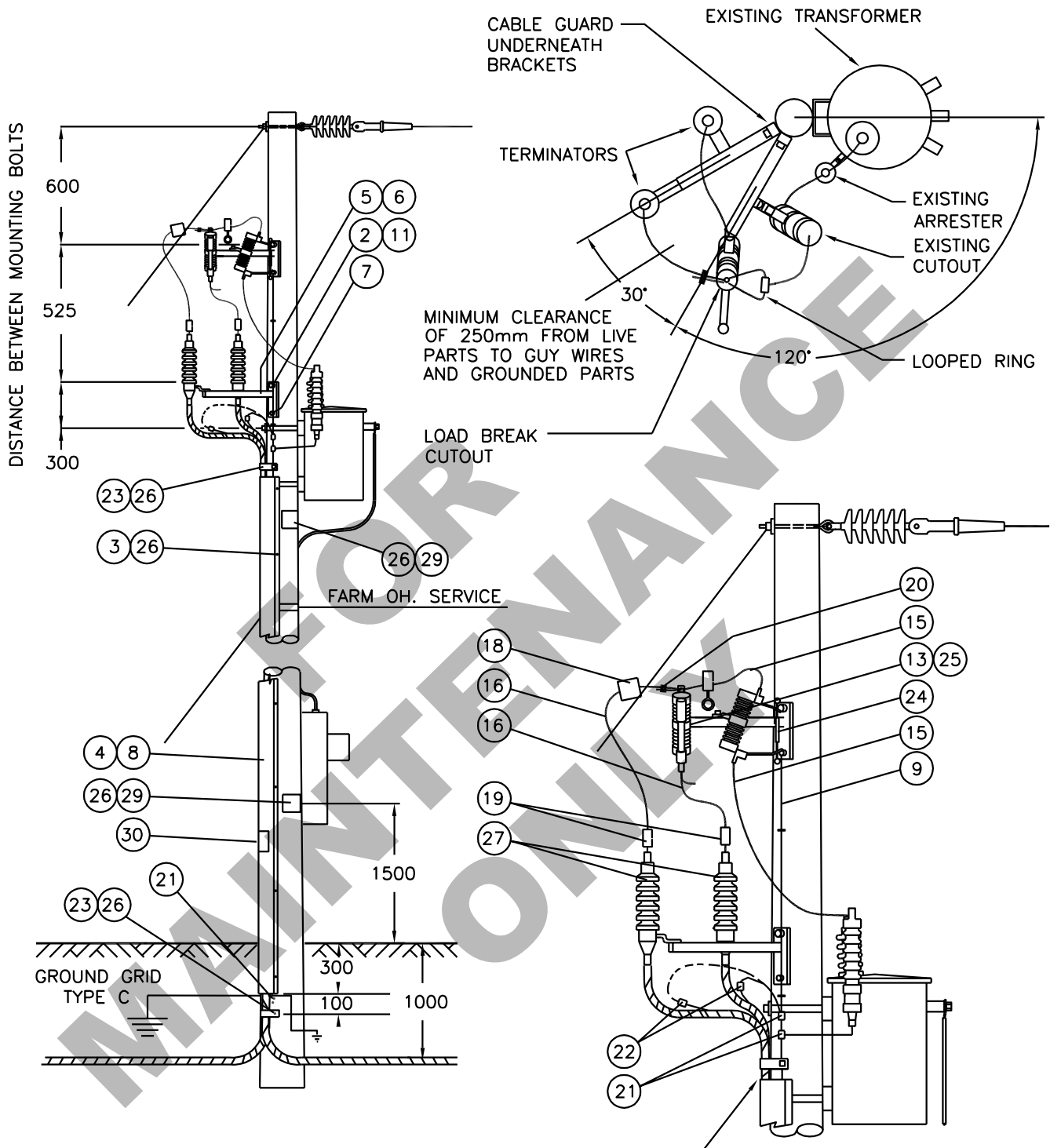
**BILL OF MATERIAL**

ITEM NO.	CODE NO.	QUANTITY	DESCRIPTION
1	1 12 02	3	BOLT – MACHINE – 1/2" X 2"
2	1 13 12	2	BOLT – MACHINE – 5/8" X 12"
3	1 34 09	3	GUARD – CABLE – PLASTIC – 2-1/2" X 8'
4	1 34 11	1	GUARD – CABLE – STEEL – 2-1/2" X 8'
5	1 35 36	2	BRACKET – RUD – 30"
6	1 35 37	2	GUARD – INSULATING BRACKET
7	1 78 12	2	SCREW – LAG – 1/2" X 4-1/2"
8	1 78 38	8	SCREW – LAG – 3/8" X 4"
9	1 85 01	1/4 lb	STAPLE – FENCE – 1-3/4"
10	1 93 30	2	WASHER – ROUND – 9/16"
11	1 93 33	4	WASHER – ROUND – 11/16"
12	1 93 42	2	WASHER – SQUARE – 2-1/4" X 13/16" HOLE
13	2 12 62	1	CUTOUT – LOADBREAK – 27 kV – 100A
15	2 83 04	4 m	WIRE – CU – #4 – 7 STR
16	2 84 02	2 m	WIRE – CU – #2 SOLID – PE JACKET
18	5 06 97	1	FAULT INDICATOR – OVERHEAD – 60 AMP TRIP
19	5 11 15	2	INSULINK – ORANGE/ORANGE
20	5 12 01	2	CONNECTOR – CU – 2C2
21	5 12 06	3	CONNECTOR – CU – 4C4
22	5 12 08	2	CONNECTOR – CU – 2C4
23	5 46 18	2	STRAP – LEAD
24	7 37 06	X	FUSE LINK – TRIP-O-LINK - 6T
24	7 38 06	X	FUSE LINK – BUTTON HEAD – TYPE “T” – 6T
25	7 38 00	1	FUSE LINK – SOLID
26	7 69 64	0.26	SCREWS – WOOD – #14 X 2-1/2" (100/BOX)
27	8 35 36	2	TERMINATOR – #2 AL
28	71 35 00	2	CABLE PREP KIT
29	05 640 000	1	SIGN – DANGER – HIGH VOLTAGE
30	05 641 535	1	DECAL – DANGER – UNDERGROUND CABLE

BACK TO INDEX PAGE

**SaskPower** - DISTRIBUTION STANDARDS

APPROVAL	DESIGN CHK	DRN. PP	RUD LOOP FEED TRANSFORMER WITH CUTOUT
L MOEN	P PATEL	CHKD. LM	
		2022-01-07	
DATE OF ISSUE: 2022-08-15		DRAWING NO: B-12-23	SHEET 1 OF 2   REV. E



**NOTE:**

1. REFER TO A-33 FOR GROUND GRID TYPE.
2. REFER TO A-24 FOR FARM METERING.
3. CABLE GUARD AND BRACKETS TO BE GROUNDED.
4. INSTALL DANGER SIGNS IF MISSING.
5. FOR POLE LEAN USE A-32-06 DOWN GUY AND A-32-12 ANCHOR AT THE SHORT GUY DISTANCE.

SCALE: N.T.S. ALL DIMENSIONS ARE IN MILLIMETRES UNLESS OTHERWISE INDICATED

GUARD TO BE 150mm BELOW LEAD STRAP

**SaskPower** – DISTRIBUTION STANDARDS

DRN.	M.T.S.	DESIGN CHK.	APPROVAL	RUD LOOP FEED TRANSFORMER WITH CUTOUT
CHKD.				
DATE		DATE	DATE	
DATE OF ISSUE: 2007/04/16			DRAWING NO. B-12-23	SHEET 2 OF 2
				REV. D

**BILL OF MATERIAL**

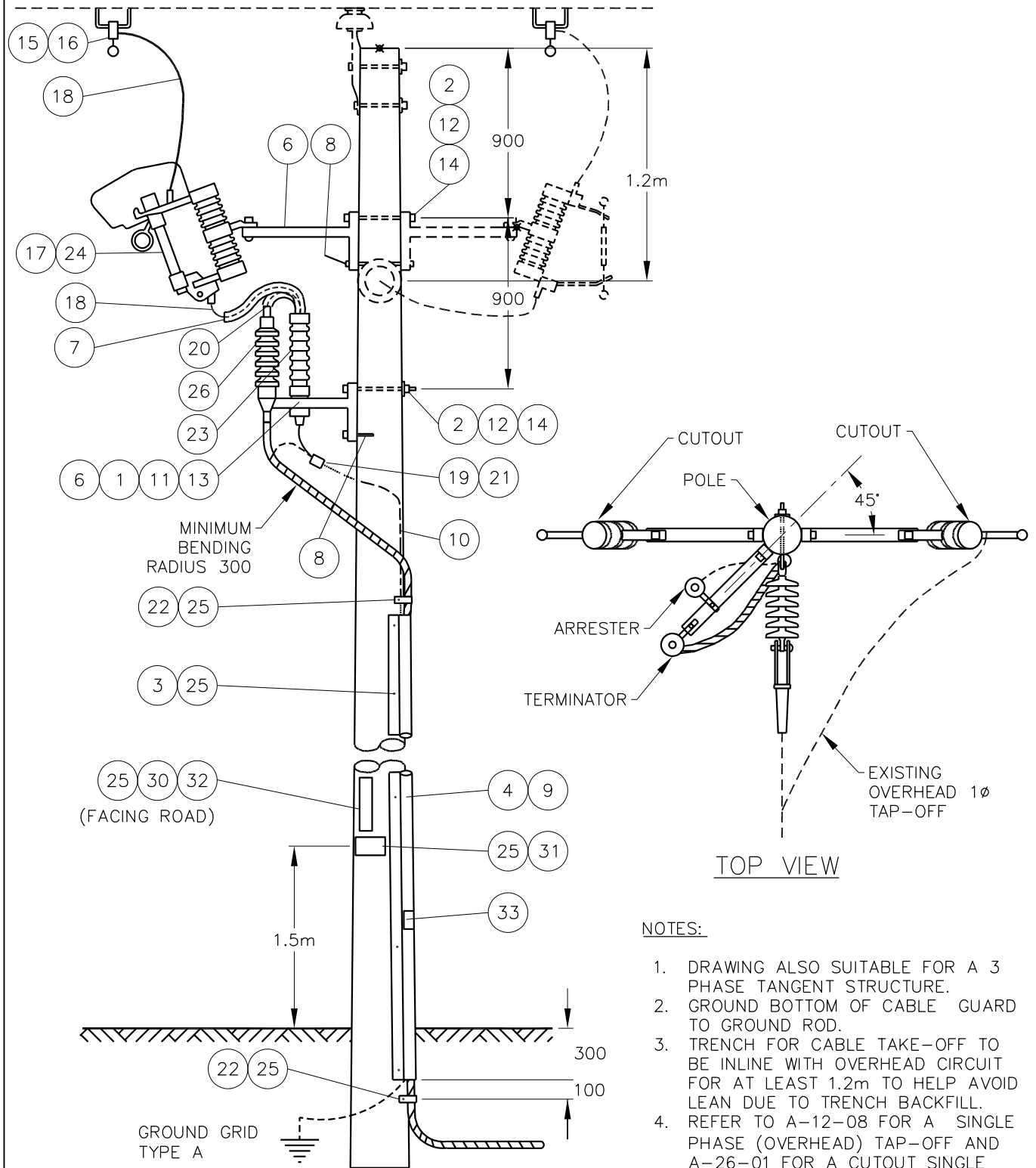
ITEM NO.	CODE NO.	QUANTITY	DESCRIPTION
1	1 12 02	2	BOLT – MACHINE – 1/2" X 2"
2	1 13 12	2	BOLT – MACHINE – 5/8" X 12"
3	1 34 09	3	GUARD – CABLE – PLASTIC – 2-1/2" X 8'
4	1 34 11	1	GUARD – CABLE – STEEL – 2-1/2" X 8'
5	1 35 XX	1	BRACKET – CABLE POSITIONER
6	1 35 31	2	BRACKET – FOR CUTOUT, ARRESTER, TERMINATOR
7	1 35 38	4 ft	WILDLIFE GUARD – RISER COVER
8	1 78 12	2	SCREW – LAG – 1/2" X 4-1/2"
9	1 78 38	6	SCREW – LAG – 3/8" X 4"
10	1 85 01	1/4 lb	STAPLE – FENCE – 3/4"
11	1 93 22	2	WASHER – LOCK – 1/2"
12	1 93 27	2	WASHER – LOCK – DOUBLE COIL – 5/8"
13	1 93 30	2	WASHER – ROUND – 9/16"
14	1 93 42	2	WASHER – SQUARE – 2-1/4" X 13/16" HOLE
15	2 02 70	1	CLAMP – LIVELINE
16	2 02 82	1	CLAMP – BAIL – #6 TO 1/0 ACSR
17	2 12 62	1	CUTOUT – LOADBREAK – 27 kV – 100 AMP (SEE NOTE 1)
18	2 83 02	3 m	WIRE – CU – #2 – 7 STR
19	2 83 04	8 m	WIRE – CU – #4 – 7 STR
20	5 09 27	1	CONNECTOR – COMPRESSION – ACSR #3-1/0 TO #6-#2
21	5 12 06	2	CONNECTOR – CU – 4C4
22	5 46 18	2	LEAD STRAP
23	6 02 21	1	ARRESTER – 21 kV (RURAL)
24	7 38 XX	1	FUSE LINK – BUTTON HEAD – TYPE "T"
25	7 69 64	0.30	SCREWS – WOOD – #14 X 2" HEX HEAD (100/BOX)
26	8 35 36	1	TERMINATOR – #2 AL
27	71 35 00	1	CABLE PREP KIT

MATERIAL LIST CONTINUED ON SHEET 3

BACK TO INDEX PAGE

**SaskPower** - DISTRIBUTION STANDARDS

APPROVAL	DESIGN CHK	DRN. PP	<b>SINGLE PHASE TAKE-OFF STRUCTURE WITH EXISTING OVERHEAD TAP-OFF</b>
L MOEN	P PATEL	CHKD. LM	
		2022-01-07	
DATE OF ISSUE: 2022-08-15	DRAWING NO: B-12-25	SHEET 1 OF 3	REV. I



NOTES:

1. DRAWING ALSO SUITABLE FOR A 3 PHASE TANGENT STRUCTURE.
2. GROUND BOTTOM OF CABLE GUARD TO GROUND ROD.
3. TRENCH FOR CABLE TAKE-OFF TO BE IN LINE WITH OVERHEAD CIRCUIT FOR AT LEAST 1.2m TO HELP AVOID LEAN DUE TO TRENCH BACKFILL.
4. REFER TO A-12-08 FOR A SINGLE PHASE (OVERHEAD) TAP-OFF AND A-26-01 FOR A CUTOUT SINGLE PHASE TAP.
5. ALLOW 5-6 INCHES BETWEEN RISER COVER & CUTOUT FOR GROUNDING.
6. REFER TO B-12-38 FOR TERMINATION DETAILS.
7. ALL DIMENSIONS ARE IN MILLIMETERS UNLESS OTHERWISE INDICATED.

SCALE: N.T.S.

B12\_25\_02

<b>SaskPower</b> – DISTRIBUTION STANDARDS			
APPROVAL L.MOEN	DESIGN CHK. O.FRANCIS	DRN.D.REDEKOPP CHKD. 2020-08-31	SINGLE PHASE TAKE-OFF STRUCTURE WITH EXISTING OVERHEAD TAP-OFF
DATE OF ISSUE	2021-01-20	DRAWING NO. B-12-25	
		SHEET 2 of 3	REV. F

**BILL OF MATERIAL**

ITEM NO.	CODE NO.	QUANTITY	DESCRIPTION
28	05 385 151	-	TAG HOLDER – ALUMINUM – FOR 10 – 1" TAGS (SEE NOTE 3)
29	05 385 20X	-	TAG – NUMBER – YELLOW (SEE NOTE 3)
29	05 385 209	-	TAG – DASH – YELLOW (SEE NOTE 3)
29	05 385 25X	-	TAG – LETTER – YELLOW (SEE NOTE 3)
30	05 638 32X	3	DECAL – NUMBER – BLACK – 1-1/2" (SEE NOTE 2)
30	05 638 329	1	DECAL – DASH – BLACK – 1-1/2" (SEE NOTE 2)
30	05 638 4XX	5	DECAL – LETTER – BLACK – 1-1/2" (SEE NOTE 2)
31	05 640 000	1	SIGN – DANGER – HIGH VOLTAGE
32	05 640 006	1	SIGN – BLANK – REFLECTIVE – 3" X 18" (SEE NOTE 2)
33	05 641 535	1	DECAL – DANGER – UNDERGROUND CABLE

**NOTES:**

1. LOADBREAK CUTOUT IS CAPABLE OF ACCOMMODATING UP TO 2/0 CU (STOCK CODE 28320). HOWEVER, THE CONNECTORS, TERMINATOR SIZE & RISER AMPACITY MUST MATCH THE UNDERGROUND CABLE. THE RISER TO THE SURGE ARRESTOR MUST REMAIN #2 CU DUE TO SIZE RESTRICTIONS.
2. REFER TO A-30-05 FOR APPLICABLE STOCK CODES & MOUNTING DETAILS. CONFIGURATOR DEFAULTS TO THIS OPTION.
3. WHEN SPACE IS AN ISSUE THIS TAG HOLDER MAY BE USED INSTEAD OF THE REFLECTIVE SIGN. REFER TO A-30-05 FOR MOUNTING DETAILS & B-30-26 FOR APPLICABLE STOCK CODES.

**BACK TO INDEX PAGE**

**SaskPower - DISTRIBUTION STANDARDS**

APPROVAL	DESIGN CHK	DRN. PP	<b>SINGLE PHASE TAKE-OFF STRUCTURE WITH EXISTING OVERHEAD TAP-OFF</b>
<b>L MOEN</b>	<b>P PATEL</b>	CHKD. LM	
		<b>2022-01-07</b>	
DATE OF ISSUE:	<b>2022-08-15</b>	DRAWING NO: <b>B-12-25</b>	<b>SHEET 3 OF 3</b>   REV. <b>B</b>

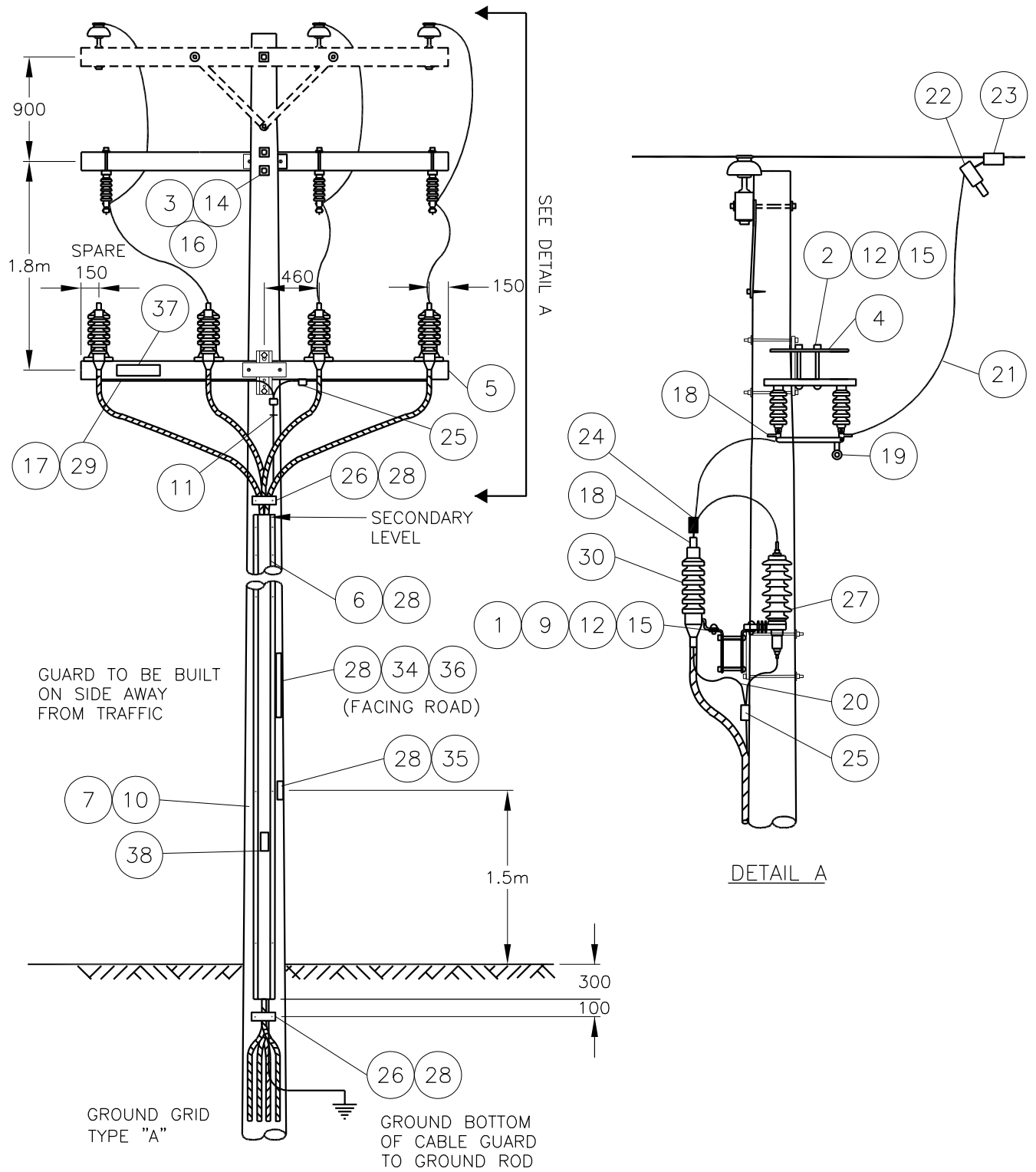
**BILL OF MATERIAL**

ITEM NO.	CODE NO.	QUANTITY	DESCRIPTION
1	1 12 02	20	BOLT – MACHINE – 1/2" X 2"
2	1 12 08	6	BOLT – MACHINE – 1/2" X 8"
3	1 14 12	4	BOLT – MACHINE – 3/4" X 12"
4	1 21 31	3	PLATE – ADAPTER
5	1 29 09	2	CROSSARM – COMPOSITE – 4" X 5" X 10'
6	1 34 08	3	GUARD – CABLE – PLASTIC – 4" X 8'
7	1 34 10	1	GUARD – CABLE – STEEL – 4" X 8'
8	135XX	4	BRACKET – CABLE POSITIONER
9	1 35 32	8	BRACKET- X ARM FOR CUTOUTS, ARRESTORS OR TERMINATOR
10	1 78 38	6	SCREW – LAG – 3/8" X 4"
11	1 85 01	1/2 lb	STAPLE – FENCE – 1-3/4"
12	1 93 22	14	WASHER – LOCK – 1/2"
13	1 93 26	20	WASHER – LOCK – DOUBLE COIL – 1/2"
14	1 93 28	4	WASHER – LOCK – DOUBLE COIL – 3/4"
15	1 93 30	30	WASHER – ROUND – 9/16" HOLE
16	1 93 42	4	WASHER – SQUARE – 2-1/4" X 2-1/4" X 13/16" HOLE
17	1 94 15	4	CLIP – GROUND WIRE
18	2 65 87	10	HYLUG – CU/AL – 4/0 STR
19	2 71 76	3	DISCONNECT – SOLID BLADE – 25 kV – 600 AMP
20	2 83 04	16 m	WIRE – CU – #4/7 STR
21	2 98 01	11 m	WIRE – CU – #4/0 19 STRAND BARE
22	5 06 97	3	O/H FAULT INDICATOR
23	5 09 48	3	CONNECTOR – AL – CRIMPIT – ACSR 4/0-477 TO 4/0-477
24	5 12 02	4	CONNECTOR – CU – CRIMPIT – 3/0-4/0 TO #4-#2
25	5 12 06	8	CONNECTOR – CU – 4C4
26	5 46 18	2	LEAD STRAP
27	6 02 21	4	ARRESTER – 21 kV (RURAL)
28	7 69 64	0.40	WOOD SCREW – #14 – 2" HEX HEAD (100/BOX)
29	7 69 65	4	SCREW – SELF DRILLING – 1/4" X 1"
			MATERIAL LIST CONTINUED ON SHEET 3

BACK TO INDEX PAGE

**SaskPower** - DISTRIBUTION STANDARDS

APPROVAL	DESIGN CHK	DRN. OFF	RURAL 3Ø, SOLID BLADE DISCONNECT SINGLE-CIRCUIT REVERSE TAKE-OFF STRUCTURE WITH SPARE CONDUCTOR
L MOEN	O. FRANCIS	CHKD. LM	
		2020-12-03	
DATE OF ISSUE:	2021-01-20	DRAWING NO: B-12-36	SHEET 1 OF 3
			REV. B



**NOTES:**

1. RURAL MINIMUM 12.2m (40') POLES. RURAL RADIALS ONLY.
2. LOAD SIDE STRUCTURE. SPARE CABLE TO BE CONNECTED SOURCE SIDE ONLY.
3. WARNING: SPARE CABLE IS NORMALLY ENERGIZED.
4. TRENCH FOR CABLE TAKE-OFF TO BE IN LINE WITH OH CIRCUIT FOR AT LEAST 1.2 METERS TO HELP AVOID POLE LEAN DUE TO TRENCH BACKFILL.
5. REFER TO B-12-38 FOR TERMINATION DETAILS.
6. ALL DIMENSIONS ARE IN MILLIMETERS UNLESS OTHERWISE STATED.

SCALE: N.T.S.

<b>SaskPower</b> – DISTRIBUTION STANDARDS				
APPROVAL L.MOEN	DESIGN CHK. L.MOEN	DRN.D.REDEKOPP CHKD. 2021-01-06	RURAL 3Ø, SOLID BLADE DISCONNECT SINGLE-CIRCUIT REVERSE TAKE-OFF WITH SPARE CONDUCTOR	
DATE OF ISSUE	2021-01-20	DRAWING NO. B-12-36		



**BILL OF MATERIAL**

ITEM NO.	CODE NO.	QUANTITY	DESCRIPTION
30	8 35 XX	4	TERMINATOR – CABLE
31	71 35 00	4	CABLE PREPARATION KIT
32	05 385 151	-	TAG HOLDER – ALUMINUM – FOR 10 – 1" TAGS – SEE NOTE 2
33	05 385 20X	-	TAG – NUMBER – YELLOW – SEE NOTE 2
33	05 385 209	-	TAG – DASH – YELLOW – SEE NOTE 2
33	05 385 25X	-	TAG – LETTER – YELLOW – SEE NOTE 2
34	05 638 32X	5	DECAL – NUMBER – BLACK – 1-1/2" – SEE NOTE 1
34	05 638 329	1	DECAL – DASH – BLACK – 1-1/2" – SEE NOTE 1
34	05 638 4XX	3	DECAL – LETTER – BLACK – 1-1/2" – SEE NOTE 1
35	05 640 000	1	SIGN – DANGER – HIGH VOLTAGE
36	05 640 006	1	SIGN – BLANK – REFLECTIVE – 3" X 18" – SEE NOTE 1
37	05 641 025	1	DECAL – DANGER 25000 VOLTS
38	05 646 582	1	DECAL – WATCH FOR WIRES
			<p><b>NOTES:</b></p> <p>1. REFER TO A-30-05 FOR APPLICABLE STOCK CODES &amp; MOUNTING DETAILS. CONFIGURATOR DEFAULTS TO THIS OPTION.</p> <p>2. WHEN SPACE IS AN ISSUE THIS TAG HOLDER MAY BE USED INSTEAD OF THE REFLECTIVE SIGN. REFER TO A-30-05 FOR MOUNTING DETAILS &amp; B-30-26 FOR APPLICABLE STOCK CODES.</p>

**BACK TO INDEX PAGE**

**SaskPower - DISTRIBUTION STANDARDS**

APPROVAL	DESIGN CHK	DRN. OFF	RURAL 3Ø, SOLID BLADE DISCONNECT SINGLE-CIRCUIT REVERSE TAKE-OFF STRUCTURE WITH SPARE CONDUCTOR	
L MOEN	O. FRANCIS	CHKD. LM		
		2020-12-03		
DATE OF ISSUE:	2021-01-20	DRAWING NO:	B-12-36 SHEET 3 OF 3	REV. A

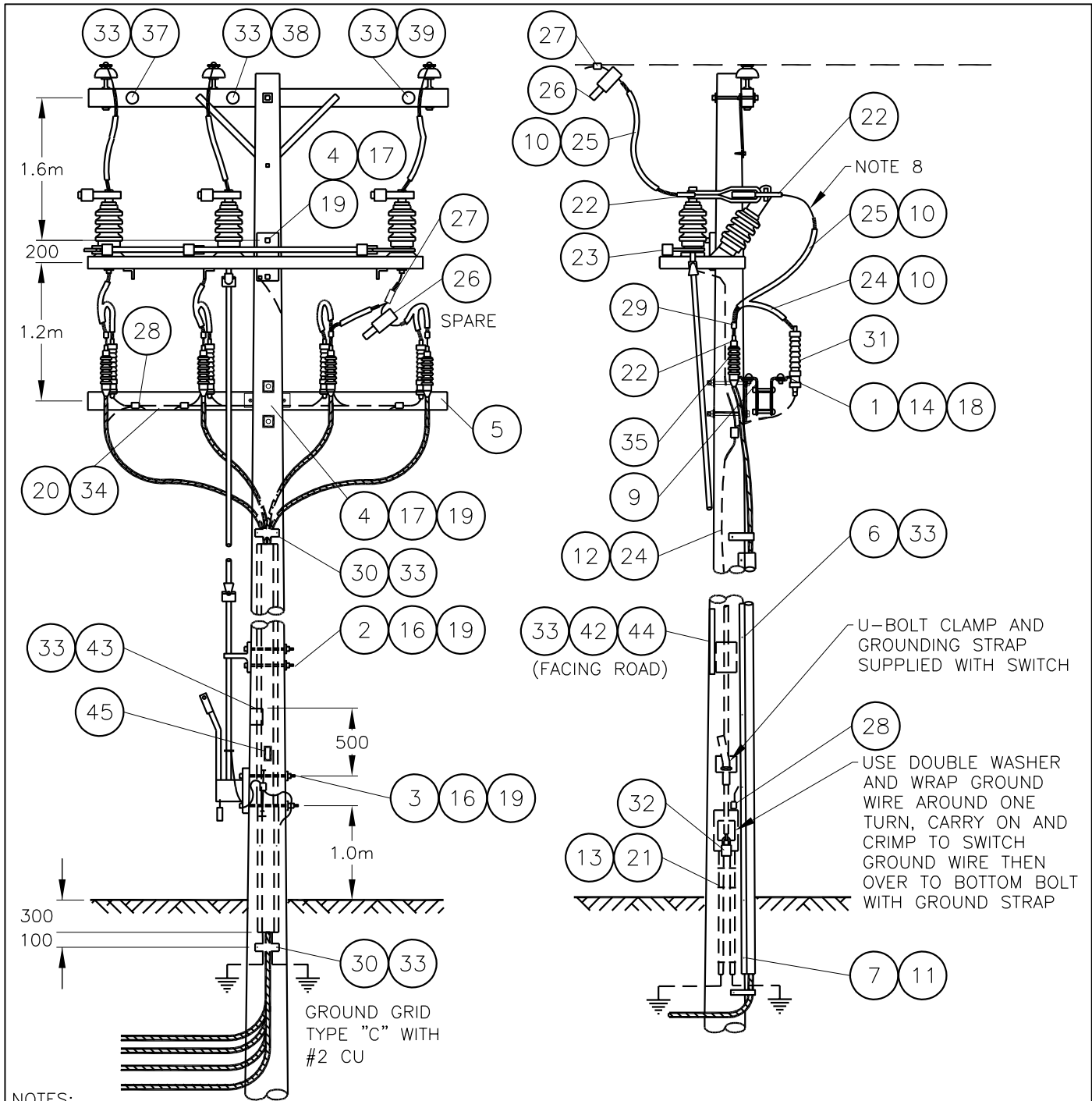
**BILL OF MATERIAL**

ITEM NO.	CODE NO.	QUANTITY	DESCRIPTION
1	1 12 02	20	BOLT – MACHINE – 1/2" X 2"
2	1 13 14	2	BOLT – MACHINE – 5/8" X 14"
3	1 13 16	2	BOLT – MACHINE – 5/8" X 16"
4	1 14 12	4	BOLT – MACHINE – 3/4" X 12"
5	1 29 09	1	CROSSARM – COMPOSITE – 4" X 5" X 10'
6	1 34 08	3	GUARD – CABLE – PLASTIC – 4" X 8'
7	1 34 10	1	GUARD – CABLE – STEEL – 4" X 8'
8	1 35 XX	4	BRACKET – CABLE POSITIONER
9	1 35 32	8	BRACKET – CROSSARM
10	1 35 38	11 m	WILDLIFE GUARD – RISER COVER
11	1 78 38	6	LAG – SCREW – 3/8" X 4"
12	1 85 01	0.25 LB	STAPLE – FENCE – 1-3/4"
13	1 85 02	20	STAPLE – MOULDING
14	1 93 22	8	WASHER – LOCK – 1/2"
15	1 93 26	20	WASHER – LOCK – DOUBLE COIL – 1/2"
16	1 93 27	4	WASHER – LOCK – DOUBLE COIL – 5/8"
17	1 93 28	4	WASHER – LOCK – DOUBLE COIL – 3/4"
18	1 93 30	30	WASHER – ROUND – 9/16" HOLE
19	1 93 42	8	WASHER – SQUARE – 2-1/4" X 2-1/4" X 13/16" HOLE
20	1 94 15	4	CLIP – GROUND WIRE
21	2 27 00	3	MOULDING – GROUND WIRE
22	2 65 XX	10	HYLUG – SEE NOTE 1
23	2 69 45	1	SWITCH – GOPT – 25 kV – 600 A
24	2 83 02	13 m	WIRE – CU – #2/7 STR
25	2 98 01	11 m	WIRE – CU – 4/0 19 STR
26	5 06 97	4	O/H FAULT INDICATOR
27	5 09 2X	4	CONNECTOR – AL – CRIMPIT – SEE NOTE 1
28	5 12 01	4	CONNECTOR – CU – 2C2
29	5 12 02	4	CONNECTOR – CRIMPIT – 4/0 TO #2
30	5 46 18	2	LEAD STRAP
31	6 02 21	4	ARRESTER – 21 kV (RURAL)
32	7 66 00	1	PADLOCK
33	7 69 64	0.41	SCREW – WOOD – #14 X 2-1/2" (BOX)
34	7 69 65	4	SCREW – SELF DRILLING – 1/4" X 1"
35	8 35 XX	4	TERMINATOR
36	71 35 00	4	CABLE PREP KIT

**BACK TO INDEX PAGE**

**SaskPower - DISTRIBUTION STANDARDS**

APPROVAL	DESIGN CHK	DRN. OFF	<b>RURAL 3Ø GOPT TAKE-OFF STRUCTURE WITH SPARE CONDUCTOR</b>
<b>L MOEN</b>	<b>O FRANCIS</b>	CHKD. <b>LM</b>	
		<b>2020-12-04</b>	
DATE OF ISSUE:	<b>2021-01-20</b>	DRAWING NO: <b>B-12-37</b>	<b>SHEET 1 OF 3</b>   REV. <b>B</b>



NOTES:

1. LOCATION OF GROUND GRID IS DEPENDENT ON LOCATION OF SWITCH HANDLE AND DRIVE BAR.
2. ALWAYS INSTALL WITH SWITCH HANDLE UP. FOR ROTATION TYPE HANDLE MOVEMENT, MOUNT AT HEIGHT SHOWN. FOR PULL DOWN TYPE, MOUNT SO THAT THE HANDLE CLEARS THE GROUND AND IS NOT TOO HIGH WHEN UP.
3. REFER TO SECTION A-33 FOR GROUNDING DETAILS AND GROUND GRID TYPE "C".
4. TRENCH FOR CABLE TAKE-OFF TO BE INLINE WITH OVERHEAD CIRCUIT FOR AT LEAST 1.2m TO HELP AVOID LEAN DUE TO TRENCH BACKFILL.
5. RURAL MINIMUM 12.2m (40') POLES. RURAL RADIALS ONLY.
6. NO JOINT USE TAKEOFFS OR SECONDARY TAKEOFFS ARE ALLOWED ON THIS STRUCTURE DUE TO CONGESTION ON THE POLE.
7. SOURCE SIDE STRUCTURE. SPARE CABLE CONNECTED THIS SIDE ONLY.
8. ALLOW FOR 150mm BETWEEN RISER COVER AND GOPT HYLUG FOR GROUNDING.
9. REFER TO B-12-38 FOR TERMINATION DETAILS.
10. ALL DIMENSIONS ARE IN MILLIMETERS UNLESS OTHERWISE STATED.

SCALE: N.T.S.

<b>SaskPower</b> – DISTRIBUTION STANDARDS				
APPROVAL	DESIGN CHK.	DRN.D.REDEKOPP	RURAL 3Ø GOPT TAKE-OFF STRUCTURE WITH SPARE CONDUCTOR	
L.MOEN	L.MOEN	CHKD.		
		2021-01-06		
DATE OF ISSUE	2021-01-20	DRAWING NO.	B-12-37	SHEET 2 of 3
				REV. C

**BILL OF MATERIAL**

ITEM NO.	CODE NO.	QUANTITY	DESCRIPTION
37	05 116 362	1	DISC – PHASE MARKING – BLUE
38	05 116 366	1	DISC – PHASE MARKING – RED
39	05 116 368	1	DISC – PHASE MARKING – YELLOW
40	05 385 151	-	TAG HOLDER – ALUMINUM – FOR 10 – 1" TAGS – SEE NOTE 3
41	05 385 20X	-	TAG – NUMBER – YELLOW – SEE NOTE 3
41	05 385 209	-	TAG – DASH – YELLOW – SEE NOTE 3
41	05 385 25X	-	TAG – LETTER – YELLOW – SEE NOTE 3
42	05 638 32X	3	DECAL – NUMBER – BLACK – 1-1/2" – SEE NOTE 2
42	05 638 329	1	DECAL – DASH – BLACK – 1-1/2" – SEE NOTE 2
42	05 638 4XX	5	DECAL – LETTER – BLACK – 1-1/2" – SEE NOTE 2
43	05 640 000	1	SIGN – DANGER – HIGH VOLTAGE
44	05 640 006	1	SIGN – BLANK – REFLECTIVE – 3" X 18" – SEE NOTE 2
45	05 646 582	1	DECAL – WATCH FOR WIRES

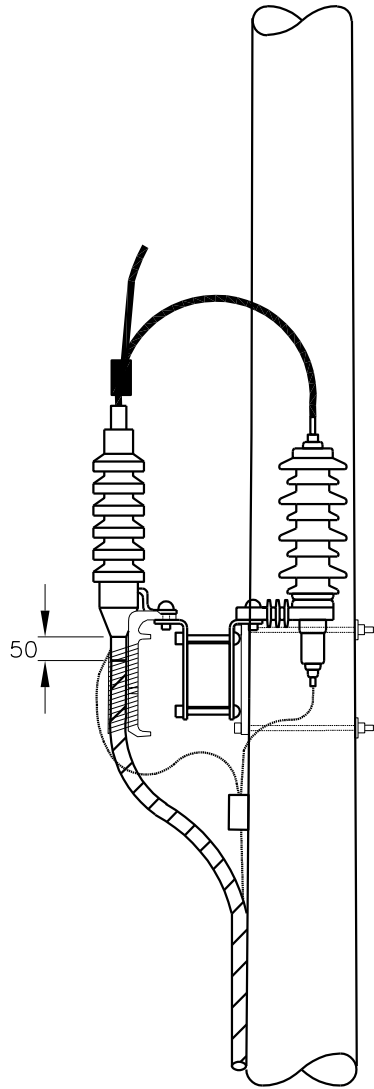
**NOTES:**

1. REFER TO SECTION A-36 FOR SPECIFIC MATERIAL REQUIREMENTS.
2. REFER TO A-30-05 FOR APPLICABLE STOCK CODES & MOUNTING DETAILS. CONFIGURATOR DEFAULTS TO THIS OPTION.
3. WHEN SPACE IS AN ISSUE THIS TAG HOLDER MAY BE USED INSTEAD OF THE REFLECTIVE SIGN. REFER TO A-30-05 FOR MOUNTING DETAILS & B-30-26 FOR APPLICABLE STOCK CODES.

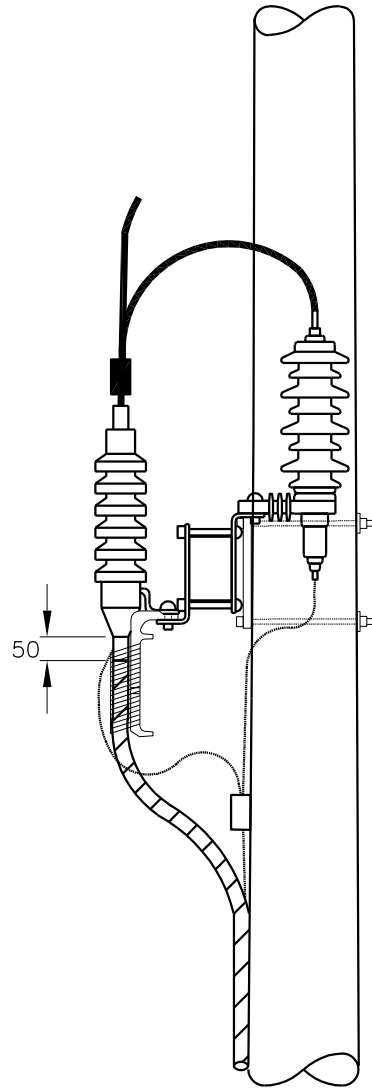
**BACK TO INDEX PAGE**

**SaskPower - DISTRIBUTION STANDARDS**

APPROVAL	DESIGN CHK	DRN. OFF	<b>RURAL 3Ø GOPT TAKE-OFF STRUCTURE WITH SPARE CONDUCTOR</b>
<b>L MOEN</b>	<b>O. FRANCIS</b>	CHKD. LM	
		<b>2020-12-04</b>	
DATE OF ISSUE:	<b>2021-01-20</b>	DRAWING NO: <b>B-12-37</b>	<b>SHEET 3 OF 3</b>   REV. <b>B</b>



DETAIL A  
CROSS ARM BRACKET FLIPPED UP



DETAIL B  
CROSS ARM BRACKET FLIPPED DOWN

NOTES:

1. REFER TO DETAIL B WITH CLEARANCE ISSUES INVOLVING APPARATUS.
2. ALL DIMENSIONS ARE IN MILLIMETERS UNLESS OTHERWISE STATED.

SCALE: N.T.S.

B12\_38\_01

<b>SaskPower</b> – DISTRIBUTION STANDARDS				
APPROVAL	DESIGN CHK.	DRN.D.REDEKOPP	CABLE TERMINATION DETAILS	
L.MOEN	O.FRANCIS	CHKD.		
		2020-08-31		
DATE OF ISSUE	2021-01-20	DRAWING NO.	B-12-38	SHEET 1 of 1
				REV. -