

## STREET LIGHTS

DRAWING NUMBER	SHT.	DRAWING TITLE	DWG REV.	BOM REV.
A-20-00	1	GENERAL INFORMATION	A	-
A-20-00	2	STREET LIGHT DESIGN CRITERIA	0	-
A-20-00	3	LIGHT DISTRIBUTION PATTERN	0	-
A-20-01	1 - 2	LOW PRESSURE SODIUM VAPOUR LUMINAIRE	0	0
A-20-02	1 - 2	HIGH PRESSURE SODIUM VAPOUR LUMINAIRE	A	B
A-20-04	1 - 2	HPSV SENTINEL LUMINAIRE	F	D
A-20-05	1 - 2	TYPICAL WOOD POLE INSTALLATION FOR LUMINAIRE	A	B
A-20-06	1 - 2	120V PHOTO CONTROL - POLE MOUNT INSTALLATION	0	0
A-20-07	1 - 2	STREET LIGHT BONDING	0	0
A-20-08	1	STREET LIGHT CONTROL - SINGLE POLE RELAYS	0	-
A-20-08	2	STREET LIGHT CONTROL - DOUBLE POLE RELAY	0	-
A-20-09	1 - 2	STEEL STANDARD HANDHOLE CONNECTION	A	0
A-20-10	1	DECORATIONS ON STREETLIGHT POLES (REFER TO B-20-27)	0	-
A-20-11	1	LIGHT-EMITTING DIODE (LED) LUMINAIRE	A	A

### *SaskPower* - DISTRIBUTION STANDARDS

APPROVAL	DESIGN CHK	DRN. <b>BG</b>	<b>INDEX</b>
<b>L. MOEN</b>	<b>B. GEBHART</b>	CHKD. <b>LM</b>	
		<b>2020-11-30</b>	
DATE OF ISSUE: <b>2020-12-18</b>		DRAWING NO: <b>A-20-INDEX</b>	<b>SHEET 1 of 1</b>   REV. <b>N</b>

## STREET LIGHTS

1. FOR BALLAST CONNECTIONS REFER TO BALLAST NAMEPLATE OR INSTRUCTION SHEET.
2. FOR UNDERGROUND STREET LIGHTING, REFER TO SECTION B-20.
3. FOR INSTALLATION OF POLE KEYS REFER TO SECTION A-32.
4. AFTER INSTALLATION, THE LUMINAIRE IS TO BE ADJUSTED SO THAT IT IS LEVEL, UNLESS OTHERWISE SPECIFIED.
5. "MOUNTING HEIGHT" IS THE HEIGHT OF THE CENTER OF THE LUMINAIRE ABOVE THE SURFACE TO BE LIGHTED. THE MOUNTING HEIGHTS SHOWN ARE FOR INSTALLATIONS OTHER THAN DESIGNED LIGHTING SYSTEMS. SEE (8) BELOW.
6. A MINIMUM CLASS 5 POLE IS REQUIRED.
7. FOR CLEARANCES AND RULING SPANS REFER TO SECTION C-24-02.
8. CUSTOMER REQUESTS FOR DETAILED LIGHTING DESIGNS SHOULD BE REFERRED TO THE REGION ENGINEERING OFFICE.
9. FUSING AT EACH LUMINAIRE SHALL BE (34551) INLINE FUSE HOLDER WITH (34550) 6A FUSE. ANY PROBLEM ON AN EXISTING STREETLIGHT FUSE SHOULD BE REPLACED WITH THIS NEW FUSEHOLDER AND FUSE.

BACK TO INDEX PAGE

<b>SaskPower</b> – DISTRIBUTION STANDARDS			
APPROVAL	DESIGN CHK.	DRN. N.J.C. CHKD. FTK	GENERAL INFORMATION
DATE OF ISSUE 2010-04-21	DRAWING NO. A-20-00	SHEET 1 of 3	REV. A

## STREET LIGHT DESIGN CRITERIA

### MAXIMUM (OPERATING OR STARTING) CURRENT

	MERCURY VAPOUR				LOW PRESSURE SODIUM VAPOUR			HIGH PRESSURE SODIUM VAPOUR				
	125 W	175 W	250 W	400 W	90 W	135 W	180 W	70 W	100 W	150 W	250 W	400 W
120 VOLT	1.60	1.80	2.40	4.00	1.40	2.00	2.90	0.85	1.16	1.70	2.80	4.20
240 VOLT	0.80	0.90	1.20	2.00	0.70	1.00	1.45	0.43	0.58	0.85	1.40	2.10

NOTE: SEE SECTION A-22, SERVICE DROPS, FOR VOLTAGE DROP INFORMATION

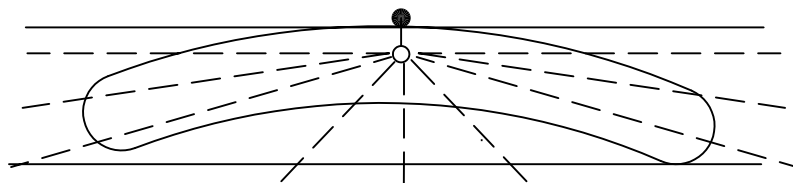
### LIGHT SOURCE & RATED LAMP LIFE COMPARISONS

TYPE OF LAMP	TRUE * WATTS	RATED INITIAL LUMENS	RATED LAMP LIFE
100 WATT INCANDESCENT	100	1,640	1,000 HOURS
200 WATT INCANDESCENT	200	3,800	1,000 HOURS
300 WATT INCANDESCENT	300	5,750	1,000 HOURS
125 WATT MERCURY VAPOUR	160	6,350	24,000 HOURS
175 WATT MERCURY VAPOUR	205	7,900	24,000 HOURS
250 WATT MERCURY VAPOUR	285	12,100	24,000 HOURS
400 WATT MERCURY VAPOUR	460	21,000	24,000 HOURS
90 WATT LOW PRESSURE SODIUM VAPOUR	125	13,500	18,000 HOURS
135 WATT LOW PRESSURE SODIUM VAPOUR	160	22,500	18,000 HOURS
180 WATT LOW PRESSURE SODIUM VAPOUR	210	33,000	18,000 HOURS
70 WATT HIGH PRESSURE SODIUM VAPOUR	100	5,800	24,000 HOURS
100 WATT HIGH PRESSURE SODIUM VAPOUR	130	9,500	24,000 HOURS
150 WATT HIGH PRESSURE SODIUM VAPOUR	190	16,000	24,000 HOURS
250 WATT HIGH PRESSURE SODIUM VAPOUR	318	27,500	24,000 HOURS
400 WATT HIGH PRESSURE SODIUM VAPOUR	480	50,000	24,000 HOURS

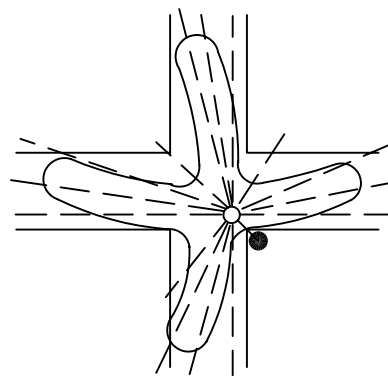
\* INCLUDES BALLAST  
FOR VOLTAGE DROP CALCULATIONS REFER TO SECTION A-22

#### SASKATCHEWAN POWER CORP. – DISTRIBUTION ENGINEERING STANDARDS

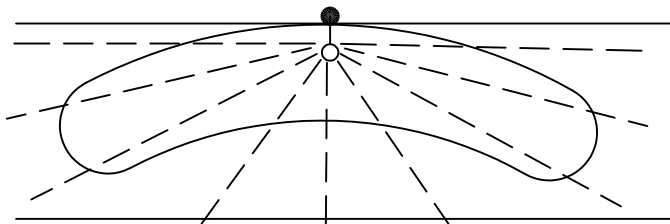
DRN. N.J.C	DESIGN CHK.	SAFETY APP.	APPROVAL	STREET LIGHT DESIGN CRITERIA	
CHKD. <i>FTK</i>	DATE	DATE	DATE		
DATE 87-04-15	DATE	DATE	DATE		
DATE OF ISSUE 87-06-01			DRAWING NO. A-20-00	SHEET 2 OF 3	REV. 0



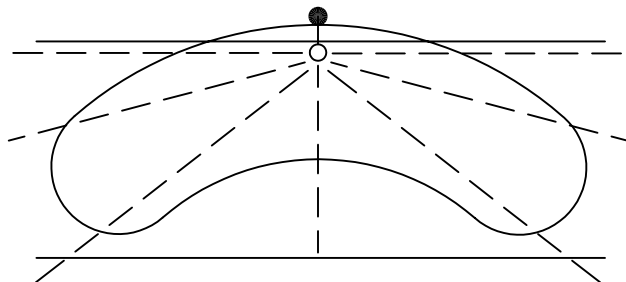
IES TYPE II DISTRIBUTION



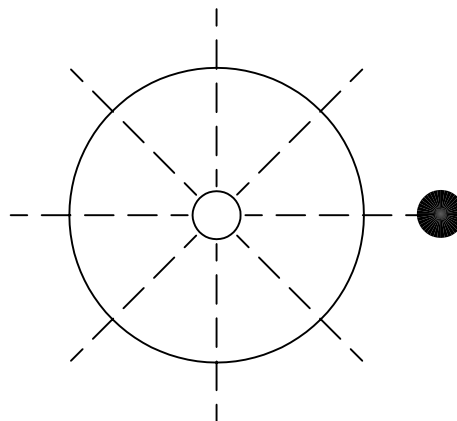
IES TYPE II-4 WAY DISTRIBUTION



IES TYPE III DISTRIBUTION



IES TYPE IV DISTRIBUTION



IES TYPE V DISTRIBUTION

SASKATCHEWAN POWER CORP. – DISTRIBUTION ENGINEERING STANDARDS

DRN. R. A. B.	DESIGN CHK.	SAFETY APP.	APPROVAL	LIGHT DISTRIBUTION PATTERN
CHKD. <i>FTK</i>				
DATE 87-04-23	DATE	DATE	DATE	
DATE OF ISSUE 87-06-01	DRAWING NO. A-20-00		SHEET 3 OF 3	REV. 0

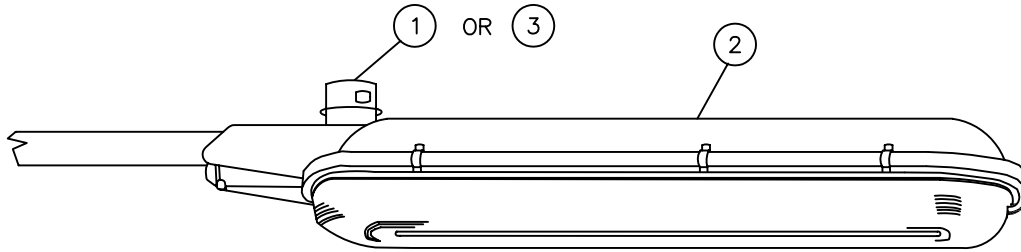
**BILL OF MATERIAL**

ITEM NO.	CODE NO.	QUANTITY	DESCRIPTION
1	3-16-40	1	CONTROLS-PHOTO ELECTRIC - 120 VOLT
1	3-16-42	1	CONTROLS-PHOTO ELECTRIC - 240 VOLT
2	3-41-09	1	LUMINAIRE - 90 WATT LPSV 120 VOLT
2	3-41-13	1	LUMINAIRE - 135 WATT LPSV 120 VOLT
2	3-41-15	1	LUMINAIRE - 180 WATT LPSV 120 VOLT
2	3-41-18	1	LUMINAIRE - 180 WATT LPSV 240 VOLT
3	3-45-30	1	CAPS-SHORTING
4	7-62-14	1	LAMP - 90 WATT
4	7-62-16	1	LAMP - 135 WATT
4	7-62-18	1	LAMP - 180 WATT

**BACK TO INDEX PAGE**

**SaskPower - DISTRIBUTION STANDARDS**

DRN.	DESIGN CHK.	APPROVAL	<b>LOW PRESSURE SODIUM VAPOUR LUMINAIRE</b>	
CHKD.				
DATE	DATE	DATE		
DATE OF ISSUE <b>87-06-01</b>		DRAWING NO: <b>A-20-01</b>	<b>SHEET 1 of 2</b>	REV. <b>0</b>



④ LAMP

MOUNTING HEIGHT

LUMINAIRE	RECOMMENDED
90 WATT	10.7m
135 WATT	10.7m
180 WATT	12.2m

SASKATCHEWAN POWER CORP. – DISTRIBUTION ENGINEERING STANDARDS

DRN. A.B.W	DESIGN CHK.	SAFETY APP.	APPROVAL	LOW PRESSURE SODIUM VAPOUR LUMINAIRE	
CHKD. <i>FTK</i>					
DATE 87-06-02	DATE	DATE	DATE		
DATE OF ISSUE 87-06-01			DRAWING NO. A-20-01	SHEET 2 OF 2	REV. 0

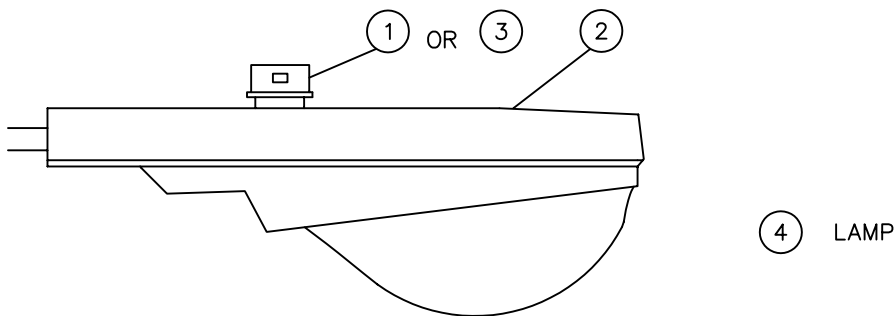
**BILL OF MATERIAL**

ITEM NO.	CODE NO.	QUANTITY	DESCRIPTION
1	3 16 40	1	CONTROLS – PHOTO ELECTRIC – 120 VOLT
2	3 42 06	1	LUMINAIRE – HPSV – 70 WATT – TYPE V
2	3 42 07	1	LUMINAIRE – HPSV – 70 WATT – TYPE II
2	3 42 08	1	LUMINAIRE – HPSV – 70 WATT – TYPE II FOUR-WAY
2	3 42 10	1	LUMINAIRE – HPSV – 100 WATT – TYPE II
2	3 42 11	1	LUMINAIRE – HPSV – 100 WATT – TYPE II – FULL CUTOFF
2	3 42 16	1	LUMINAIRE – HPSV – 150 WATT – TYPE III – FULL CUTOFF
2	3 42 25	1	LUMINAIRE – HPSV – 250 WATT – TYPE III
2	3 42 26	1	LUMINAIRE – HPSV – 250 WATT – TYPE III – FULL CUTOFF
2	3 42 40	0	LUMINAIRE – HPSV – 400 WATT – TYPE III – OBSOLETE USE 34242
3	3 45 30	1	SHORTING CAP
4	7 62 47	1	LAMP – HPSV – 70 WATT
4	7 62 50	1	LAMP – HPSV – 100 WATT
4	7 62 52	1	LAMP – HPSV – 150 WATT
4	7 62 55	1	LAMP – HPSV – 250 WATT
4	7 62 60	1	LAMP – HPSV – 400 WATT

BACK TO INDEX PAGE

**SaskPower** - DISTRIBUTION STANDARDS

APPROVAL	DESIGN CHK	DRN. <b>BG</b>	<b>HIGH PRESSURE SODIUM VAPOUR LUMINAIRE</b>
<b>L MOEN</b>	<b>B. GEBHART</b>	CHKD. <b>LM</b>	
		<b>2020-07-20</b>	
DATE OF ISSUE: <b>2020-12-18</b>	DRAWING NO: <b>A-20-02</b>	<b>SHEET 1 OF 2</b>	REV. <b>B</b>



MOUNTING HEIGHT

LUMINAIRE	RECOMMENDED
70 WATT	7.6M
100 WATT	9.1M
150 WATT	10.7M
250 WATT	10.7M
400 WATT	12.2M

SASKATCHEWAN POWER CORP. – DISTRIBUTION ENGINEERING STANDARDS

DRN. A.B.W.	DESIGN CHK.	SAFETY APP.	APPROVAL	HIGH PRESSURE SODIUM VAPOUR LUMINAIRE	
CHKD. <i>FTK</i>					
DATE 87-05-29	DATE	DATE	DATE		
DATE OF ISSUE			DRAWING NO. A-20-02	SHEET 2 OF 2	REV. A



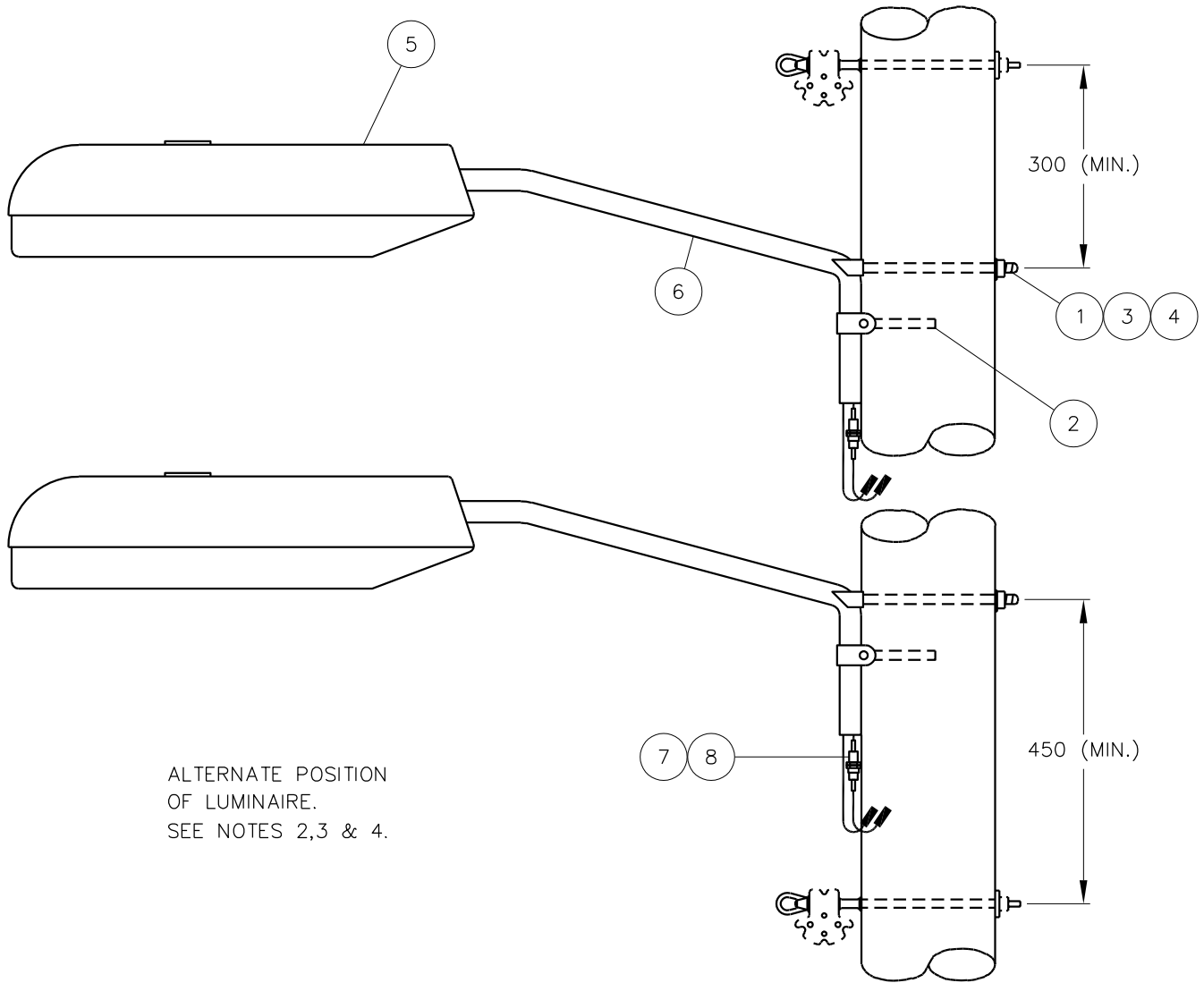
**BILL OF MATERIAL**

ITEM NO.	CODE NO.	QUANTITY	DESCRIPTION
1	1 13 12	1	<b>BOLT – 5/8” x 12”</b>
2	1 78 38	1	<b>SCREW LAG – 3/8” x 4”</b>
3	1 93 27	1	<b>WASHER – LOCK DOUBLE COIL – 5/8”</b>
4	1 93 42	1	<b>WASHER – SQUARE – 2 ¼” x 2 ¼” x 13/16” HOLE</b>
5	3 16 40	1	<b>CONTROL – PHOTO ELECTRIC – 120 VOLT</b>
6	3 43 46	-	<b>LUMINAIRE – 70 WATT HPSV (SEE NOTE 1)</b>
6	3 43 50	1	<b>LUMINAIRE – 100 WATT HPSV (SEE NOTE 1)</b>
7	3 45 50	1	<b>FUSE CARTRIDGE 6 AMP TIME DELAY CL</b>
8	3 45 51	1	<b>IN LINE FUSE HOLDER FOR CL FUSE</b>
			<p><b>NOTE:</b></p> <p>1. LUMINAIRE COMES WITH POLE MOUNTING BRACKET.</p>

**BACK TO INDEX PAGE**

**SaskPower - DISTRIBUTION STANDARDS**

APPROVAL	DESIGN CHK	DRN. <b>ARU</b>	<b>HPSV SENTINEL LUMINAIRE</b>
<b>L. MOEN</b>	<b>A. UHREN</b>	CHKD.	
		<b>2016-12-13</b>	
DATE OF ISSUE:	2017/05/03	DRAWING NO: <b>A-20-04</b>	<b>SHEET 1 OF 2</b>   REV. <b>D</b>



ALTERNATE POSITION  
OF LUMINAIRE.  
SEE NOTES 2,3 & 4.

MOUNTING HEIGHT	
LUMINAIRE	RECOMMENDED
70 W HPSV	7.6m (25')
100 W HPSV	9.1m (30')

NOTES:

1. THIS LUMINAIRE MAY ALSO BE USED IN URBAN AREAS IF REQUESTED BY CUSTOMER.
2. USE ALTERNATE LUMINAIRE POSITIONING IF SERVICE IS ON SAME SIDE OF POLE AS LUMINAIRE.
3. IF USING ALTERNATE POSITION, DO NOT PLACE LUMINAIRE DIRECTLY UNDER TRANSFORMER. WILL WORK IF LUMINAIRE IS PLACED ON OPPOSITE SIDE OF POLE AS TRANSFORMER.
4. MAINTAIN CLEARANCE OF 460mm BETWEEN PRIMARY AND LUMINAIRE WHEN USING ALTERNATE POSITION WITH PROPER PROCEDURES AND EQUIPMENT.
5. ALL DIMENSIONS ARE IN MILLIMETERS UNLESS OTHERWISE INDICATED.

SCALE: N.T.S.

<b>SaskPower</b> – DISTRIBUTION STANDARDS				
APPROVAL L.MOEN	DESIGN CHK. O.FRANCIS	DRN.E.GOTANA CHKD.	HPSV SENTINEL	
		2020-10-23	LUMINAIRE	
DATE OF ISSUE	2020-12-18	DRAWING NO.	A-20-04	SHEET 2 of 2
				REV. F

**BILL OF MATERIAL**

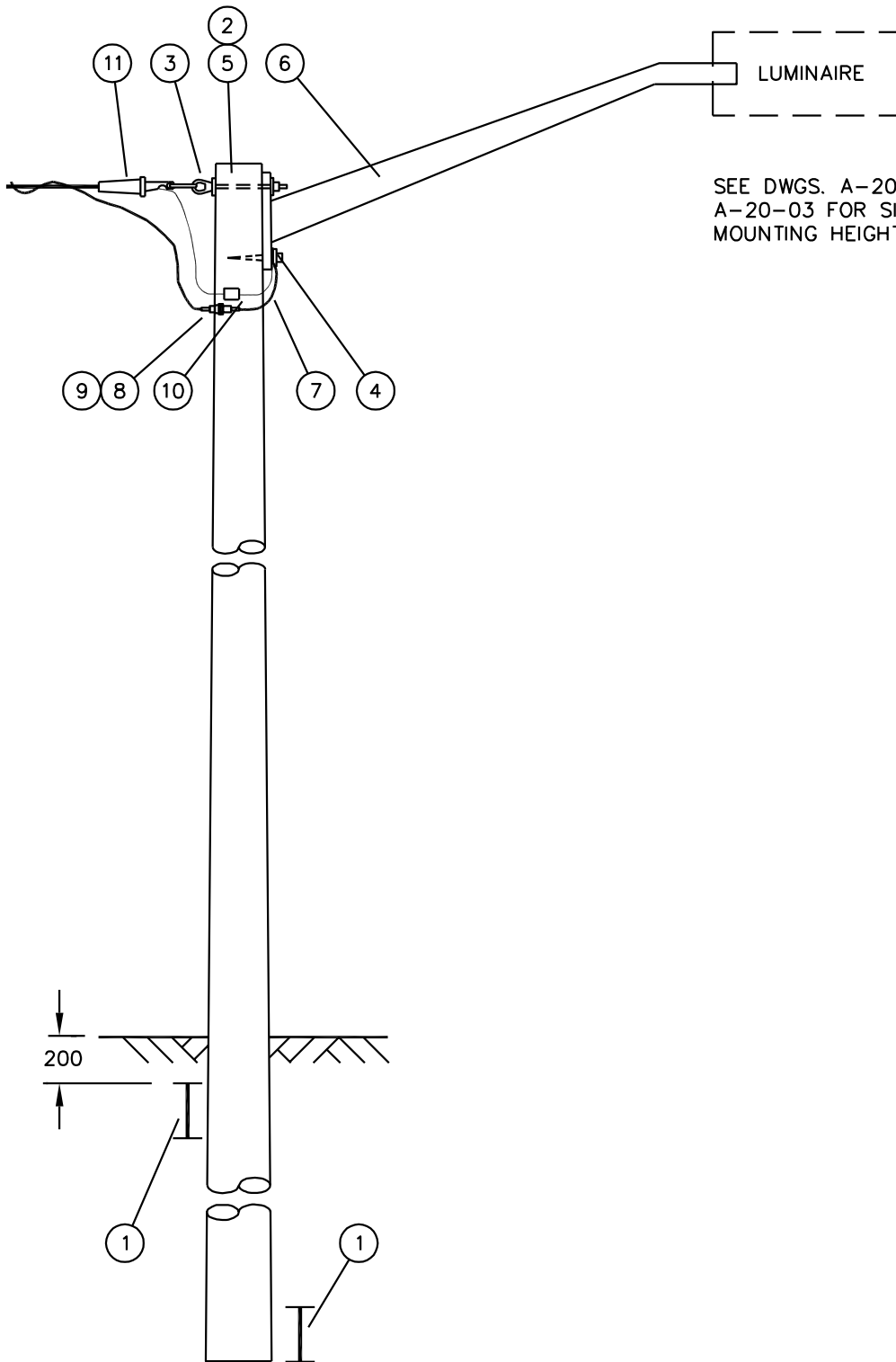
ITEM NO.	CODE NO.	QUANTITY	DESCRIPTION
1	1 01 92	0	ANCHOR-POLE KEY - SEE NOTE 1
2	1 13 10	1	BOLT-MACHINE - 5/8" x 10"
3	1 50 00	1	NUT-EYE - 5/8"
4	1 78 12	2	SCREW-LAG - 1/2" x 4 1/2"
5	1 93 42	2	WASHER-SQUARE - 2 1/4" x 2 1/4" x 13/16" HOLE
6	3 05 XX	1	BRACKET-STREET LIGHT
7	3 12 14	4m	CABLE-STREET LIGHT - 2 x #12 SOLID COPPER
8	3 45 50	1	FUSE CARTRIDGE 6 AMP TIME DELAY CL
9	3 45 51	1	IN LINE FUSE HOLDER FOR CL FUSE
10	5 09 00	1	CONNECTOR-COMPRESSION
11	5 12 70	1	CLAMP-WEDGE
			<p><b>NOTE:</b></p> <p>1. POLE KEY ANCHORING SHOULD BE USED FOR DUPLEX SPANS GREATER THAN 25 m. REFER TO SECTION A-32-09 FOR INSTALLATION.</p>

**BACK TO INDEX PAGE**

**SaskPower** - DISTRIBUTION STANDARDS

APPROVAL	DESIGN CHK	DRN.	<b>TYPICAL WOOD POLE INSTALLATION FOR LUMINAIRE</b>
		CHKD.	
DATE OF ISSUE: <b>2011-04-01</b>		DRAWING NO: <b>A-20-05</b>	<b>SHEET 1 OF 2</b>   REV. <b>B</b>

BACK TO INDEX PAGE



SEE DWGS. A-20-01, A-20-02, OR A-20-03 FOR SIZE, TYPE AND MOUNTING HEIGHT.

**SaskPower** – DISTRIBUTION STANDARDS

APPROVAL	DESIGN CHK.	DRN. R.A.B. CHKD. <i>FTK</i>	TYPICAL WOOD POLE INSTALLATION FOR LUMINAIRE
DATE OF ISSUE 2010-04-05	DRAWING NO. A-20-05	SHEET 2 of 2	
			REV. A

**BILL OF MATERIAL**

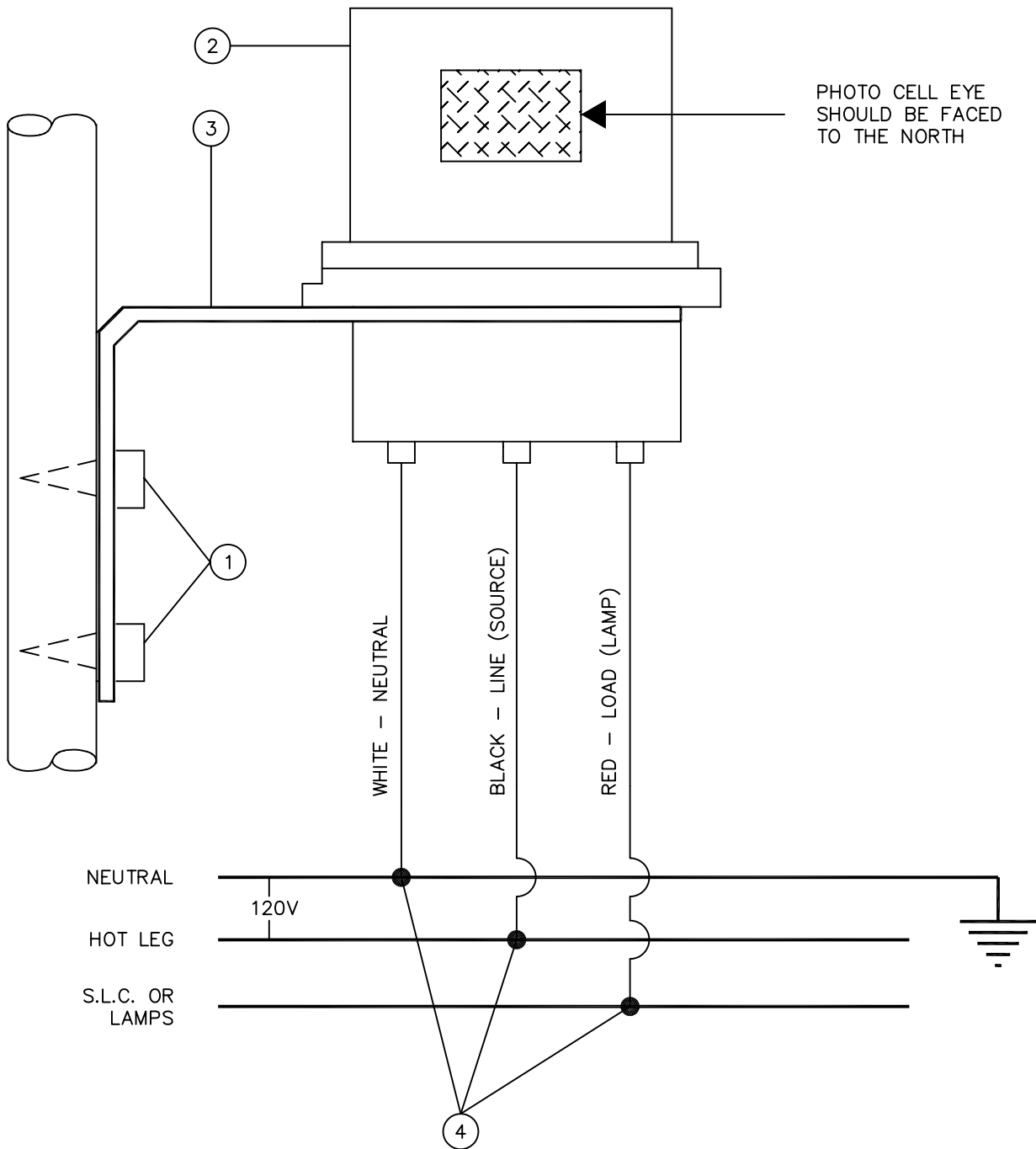
ITEM NO.	CODE NO.	QUANTITY	DESCRIPTION
1	1-78-38	2	<b>SCREW-LAG - 3/8" x 4"</b>
2	3-16-40	1	<b>CONTROLS-PHOTO ELECTRIC - 120 VOLT</b>
3	3-16-41	1	<b>ASSEMBLY-BASE HOUSING FOR PHOTO CONTROL</b>
4	5-09-XX	3	<b>CONNECTOR-COMPRESSION - SEE NOTE 1</b>
			<p><b>NOTE:</b></p> <p><b>1. REFER TO SECTION A-36 FOR CONNECTOR SELECTION.</b></p>

**BACK TO INDEX PAGE**

**SaskPower** - DISTRIBUTION STANDARDS

DRN.	DESIGN CHK.	APPROVAL	<b>120 VOLT PHOTO CONTROL POLE MOUNT INSTALLATION</b>	
CHKD.				
DATE	DATE	DATE		
DATE OF ISSUE <b>87-06-01</b>		DRAWING NO: <b>A-20-06</b>	<b>SHEET 1 of 2</b>	REV. <b>0</b>

BACK TO INDEX PAGE



SASKATCHEWAN POWER CORP. - DISTRIBUTION ENGINEERING STANDARDS

DRN. N.J.C.	DESIGN CHK.	SAFETY APP.	APPROVAL	120V PHOTO CONTROL POLE MOUNT INSTALLATION
CHKD. <i>FTK</i>				
DATE 87-04-23	DATE	DATE	DATE	
DATE OF ISSUE 87-06-01	DRAWING NO. A-20-06		SHEET 2 OF 2	REV. 0

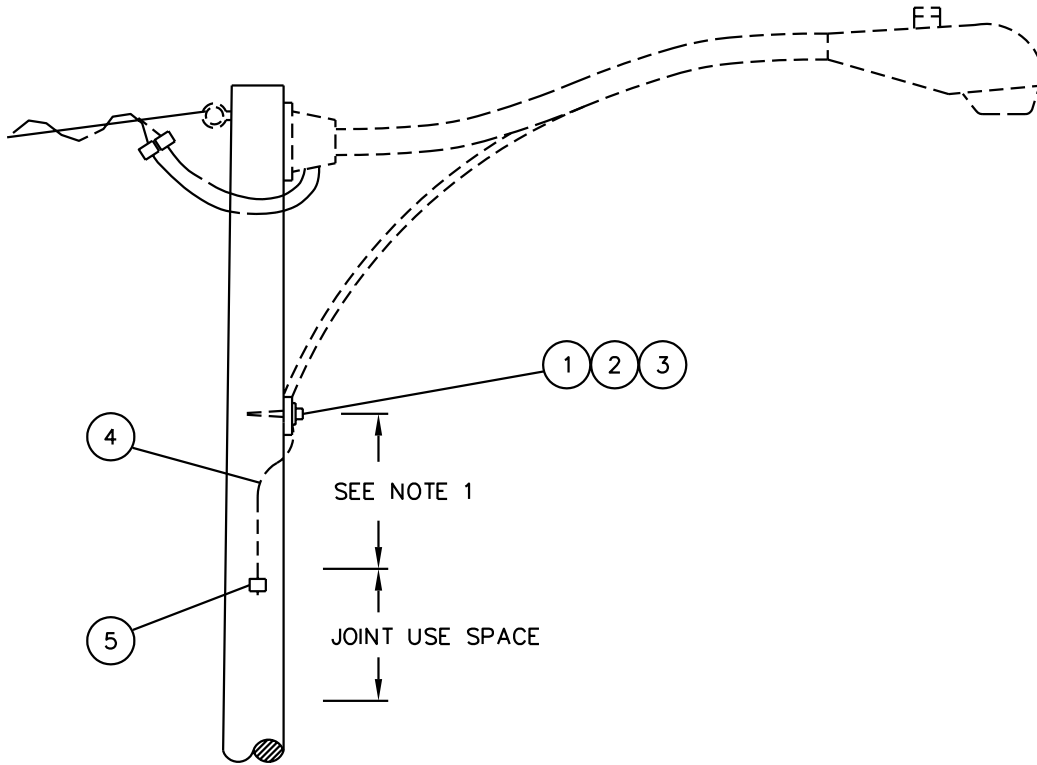
**BILL OF MATERIAL**

ITEM NO.	CODE NO.	QUANTITY	DESCRIPTION
1	1-93-14	1	<b>WASHER-ROUND - 9/16" HOLE</b>
2	1-93-26	1	<b>WASHER-LOCK DOUBLE COIL - 1/2"</b>
3	2-65-94	1	<b>TERMINAL-SPADE</b>
4	2-83-04	1.8m	<b>WIRE-CU #4/7 STR</b>
5	5-09-XX	1	<b>CONNECTOR-COMPRESSION - SEE NOTE 1</b>
			<p><b>NOTE:</b></p> <p><b>1. REFER TO SECTION A-36 FOR CONNECTOR SELECTION.</b></p>

**BACK TO INDEX PAGE**

**SaskPower** - DISTRIBUTION STANDARDS

DRN.	DESIGN CHK.	APPROVAL	<b>STREET LIGHT BONDING</b>	
CHKD.				
DATE	DATE	DATE		
DATE OF ISSUE <b>87-06-01</b>		DRAWING NO: <b>A-20-07</b>	SHEET <b>1 of 2</b>	REV. <b>0</b>



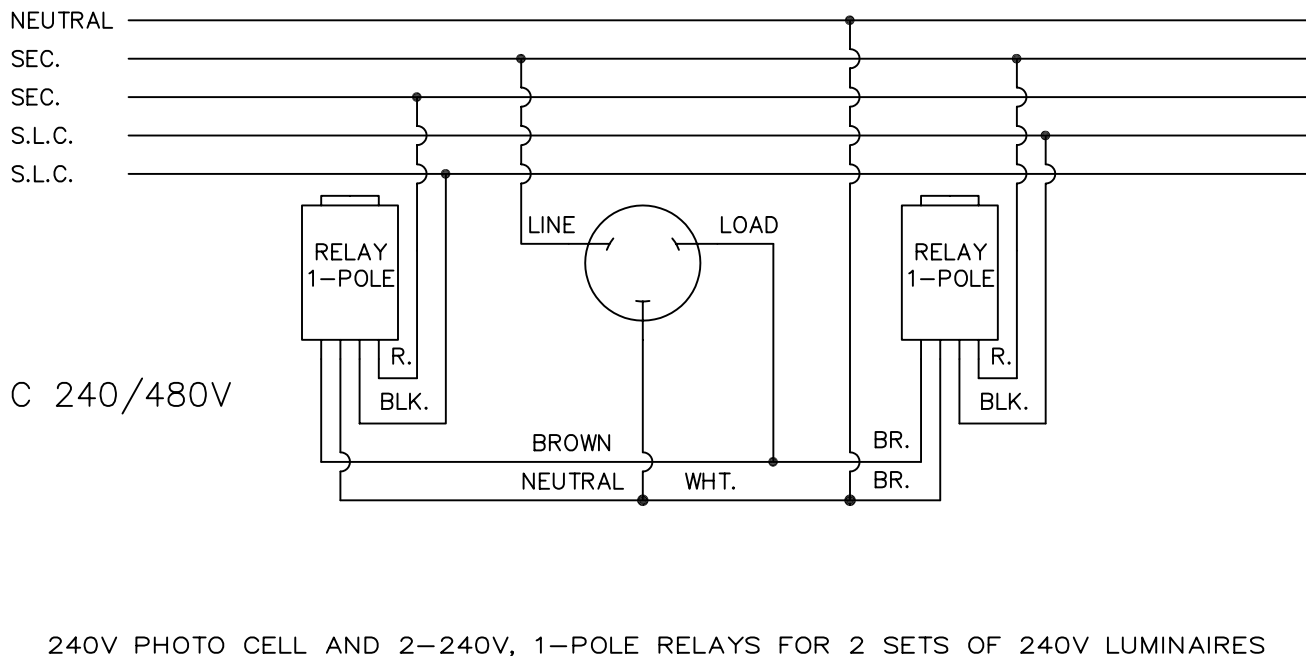
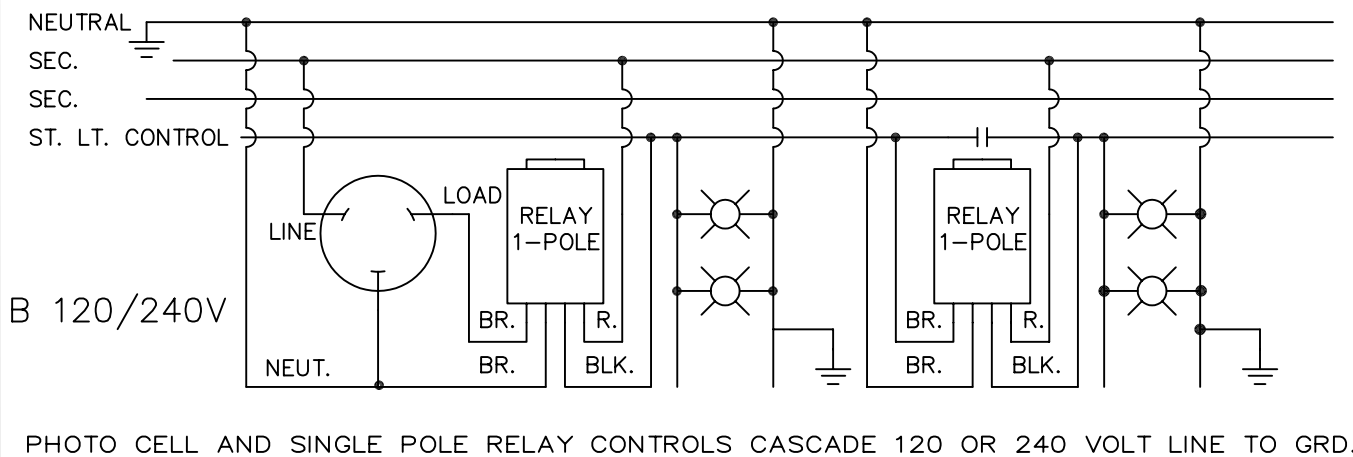
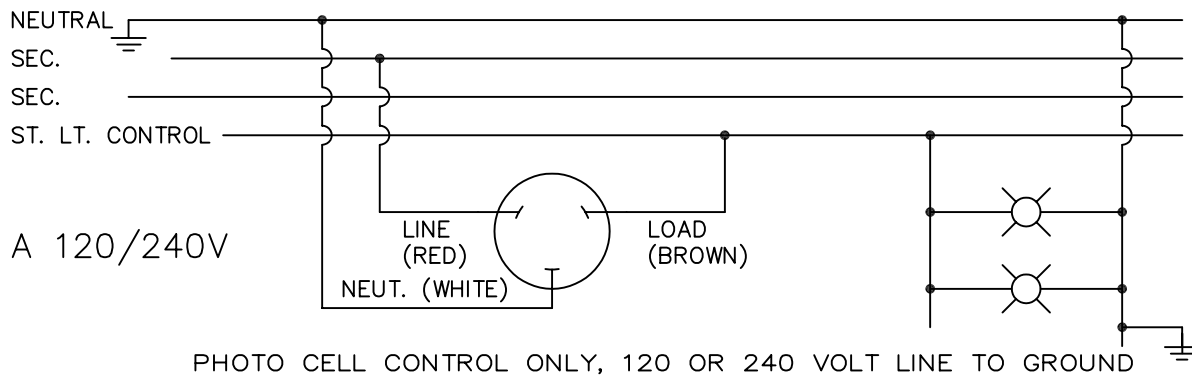
NOTE:

1. BONDING IS REQUIRED WHEN STREET LIGHT BRACKET IS CLOSER THAN 1.0 METER TO JOINT USE SPACE.
2. IF STREET LIGHT BRACKET IS PROVIDED WITH A GROUNDING POINT SUITABLE FOR # 4 COPPER (2-83-04) CONNECTION, THIS MAY BE USED IN PLACE OF ITEMS 1, 2, AND 3.

SASKATCHEWAN POWER CORP. – DISTRIBUTION ENGINEERING STANDARDS

DRN. C.D.F.	DESIGN CHK.	SAFETY APP.	APPROVAL	STREET LIGHT BONDING	
CHKD <i>FTK</i>					
DATE 87-06-01	DATE	DATE	DATE		
DATE OF ISSUE 87-06-01			DRAWING NO. A-20-07	SHEET 2 OF 2	REV. 0

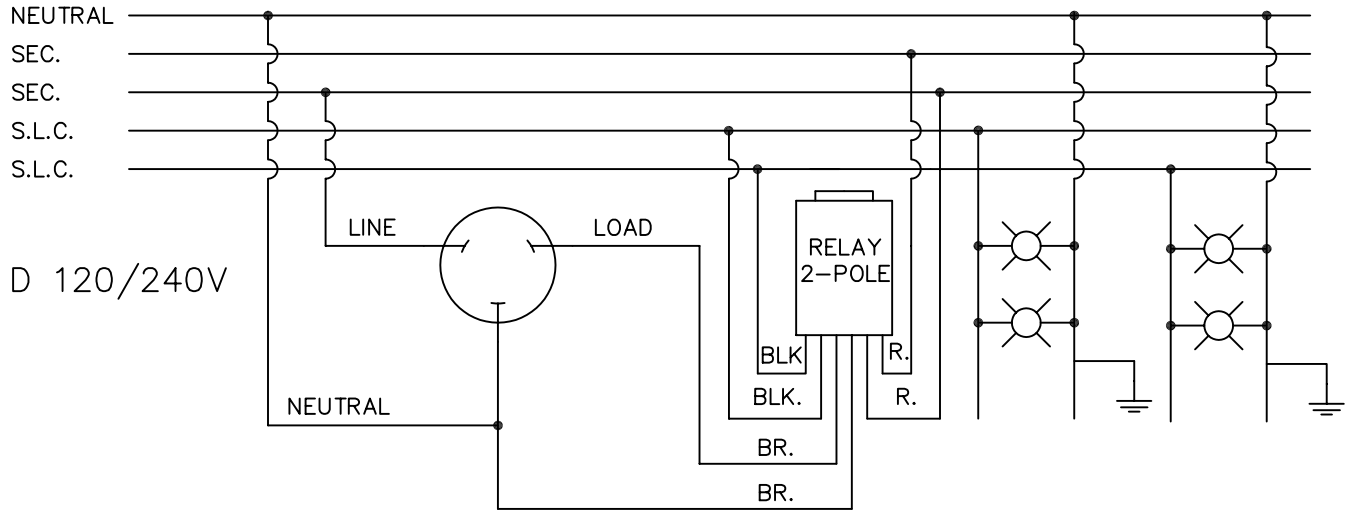




FOR MAINTENANCE ONLY  
 —DO NOT BUILD—

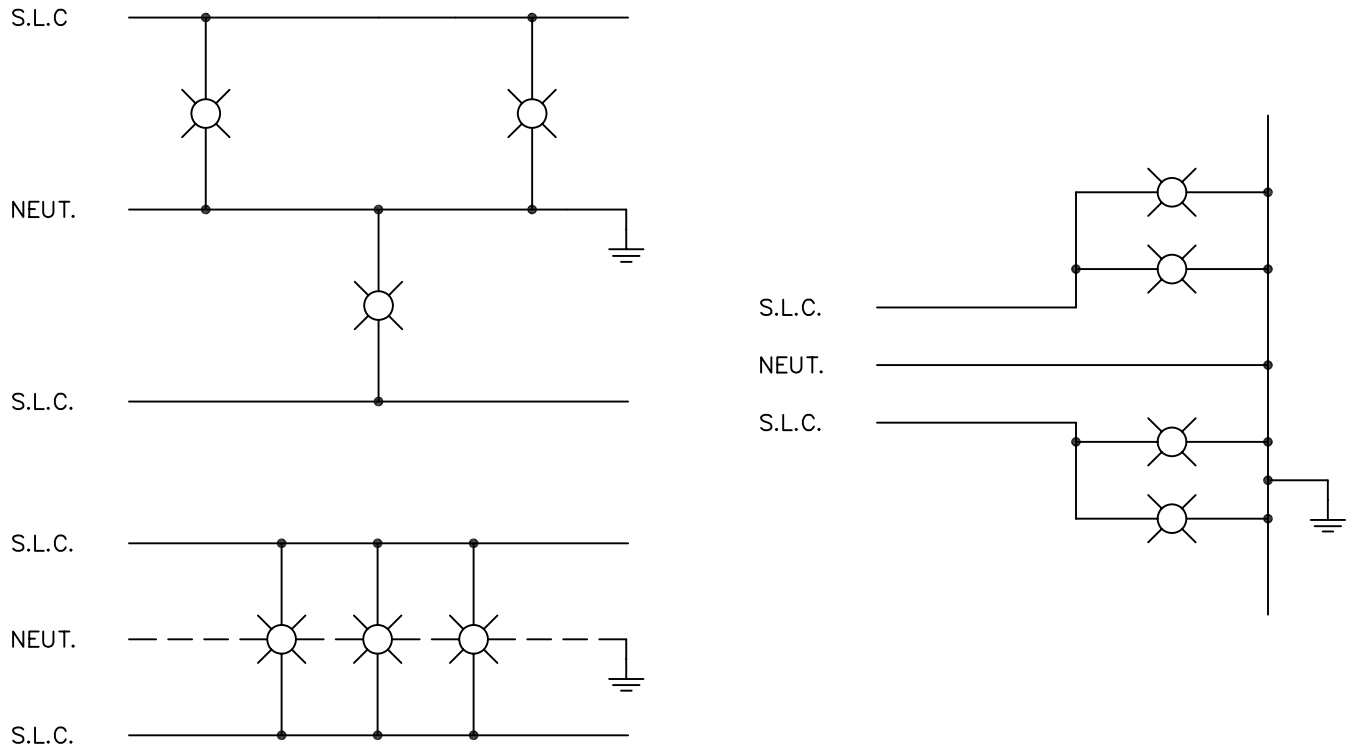
SASKATCHEWAN POWER CORP. — DISTRIBUTION ENGINEERING STANDARDS

DRN. R. A. B.	DESIGN CHK.	SAFETY APP.	APPROVAL	STREET LIGHT CONTROL SINGLE POLE RELAYS	
CHKD. <i>FTK</i>	DATE	DATE	DATE		
DATE 87-04-15	DATE	DATE	DATE		
DATE OF ISSUE	87-06-01	DRAWING NO.	A-20-08	SHEET 1 OF 2	REV. 0



120V PHOTO CELL & 120/240V DOUBLE POLE RELAY FOR TWO SETS OF LUMINAIRES

BACK TO INDEX PAGE



STAGGERED & SPLIT CIRCUITS BY INSTALLATION C & D ABOVE

FOR MAINTENANCE ONLY  
—DO NOT BUILD—

SASKATCHEWAN POWER CORP. — DISTRIBUTION ENGINEERING STANDARDS

DRN. R. A. B.	DESIGN CHK.	SAFETY APP.	APPROVAL	STREET LIGHT CONTROL DOUBLE POLE RELAY	
CHKD. <i>FTK</i>					
DATE 87-04-15	DATE	DATE	DATE		
DATE OF ISSUE	87-06-01	DRAWING NO.	A-20-08	SHEET 2 OF 2	REV. 0

**BILL OF MATERIAL**

ITEM NO.	CODE NO.	QUANTITY			DESCRIPTION
		A	B	C	
1	2-83-04	2 m	2 m	2 m	WIRE-CU #4/7 STR
2	3-12-14	11 m	11 m	11 m	CABLE-#12 PVC MID-RIP (SEE NOTE 1)
3	5-09-00	0	3	3	CRIMPIT
4	5-12-05	1	0	2	CRIMPIT
5	7-52-25	1	1	1	FUSE-PLUG, 15 AMP
6	7-72-33	1/10	1/10	1/10	TAPE-ELECTRICAL
7	70-40-11	3	1	2	SPLICE-BUCHANAN
8	70-40-17	3	1	2	INSULATOR-BUCHANAN
9	71-95-05	1	1	1	LAMP HOLDER-PIG TAIL TYPE
10	PURCHASE LOCALLY	0	0	1	PLUG-FEMALE AND MALE THREE PRONG

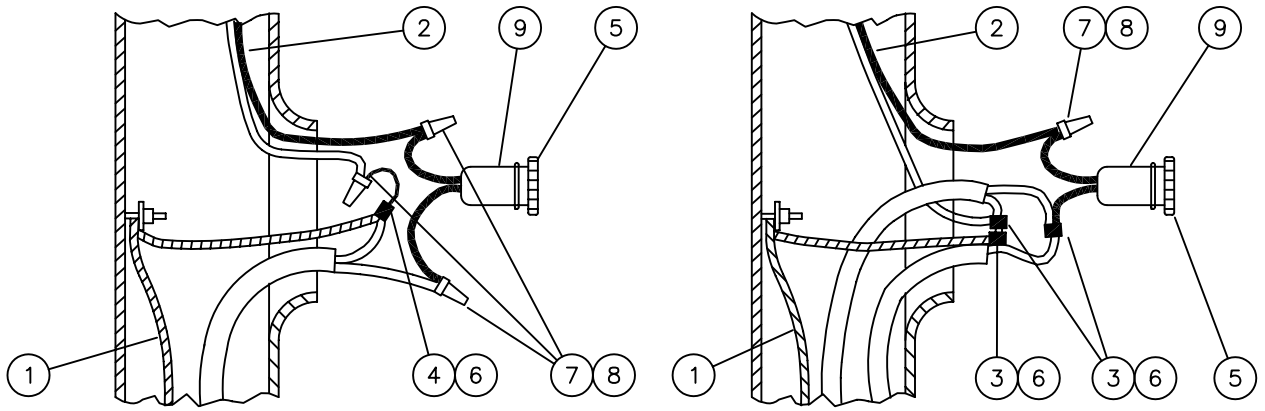
**NOTE:**

1. 11 m IS FOR 9.1 m POLE.  
12 m IS FOR 10.7 m POLE.  
13 m IS FOR 12.2 m POLE.  
15 m IS FOR 13.7 m POLE.
2. ITEMS 3 AND 4 ARE BASED ON USE OF #8 STREET LIGHT CONTROL CABLE. SEE SECTION A-36 FOR OTHER CONNECTORS.
3. COLUMNS A, B, AND C REFER TO WIRING CONFIGURATIONS ON SHEET 2.

**BACK TO INDEX PAGE**

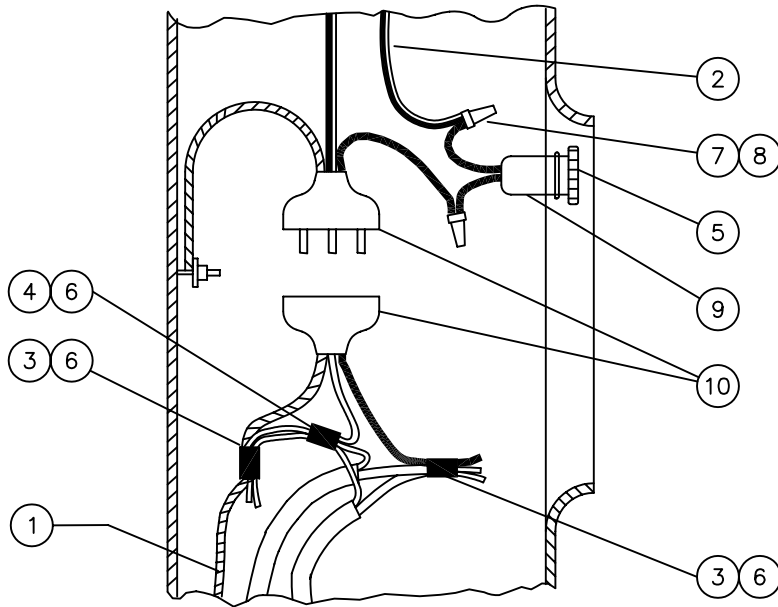
**SaskPower - DISTRIBUTION STANDARDS**

DRN.	DESIGN CHK.	APPROVAL	<b>STEEL STANDARD HANDHOLE CONNECTION</b>
CHKD.		DATE	
DATE	DATE	DATE	
DATE OF ISSUE <b>87-12-01</b>		DRAWING NO. <b>A-20-09</b>	SHEET <b>1 of 2</b> REV. <b>0</b>



**A** SINGLE ENDED CONTROL

**B** LOOPED CONTROL



**C** WIRING FOR BREAKWAY POLE

NOTES

1. ALL LUMINAIRES ON STEEL POLES WILL BE FUSED AS SHOWN, UNLESS OTHERWISE SPECIFIED.
2. REFER TO A-20-00 (GENERAL INFORMATION) SHEET 1 of 3 FOR FUSING OF OVERHEAD STREET LIGHT FEEDS.
3. DECORATIVE WIRING - PROVIDE WIRE WHERE NECESSARY AS REQUESTED BY CUSTOMER.

*SaskPower* - DISTRIBUTION STANDARDS

DRN. <i>DC</i>	DESIGN CHK.	SAFETY APP.	APPROVAL	STEEL STANDARD HANDHOLE CONNECTION
CHKD. <i>FTK</i>	DATE	DATE	DATE	
DATE 87-11-16	DATE	DATE	DATE	
DATE OF ISSUE	DRAWING NO. A-20-09		SHEET 2 of 2	REV. A

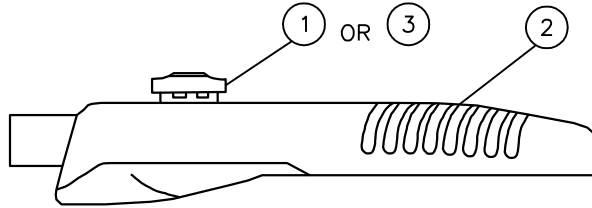
**BILL OF MATERIAL**

ITEM NO.	CODE NO.	QUANTITY	DESCRIPTION
1	3 16 43	1	PHOTO CONTROL-120/240V LONG LIFE
2	3 42 12	1	LUMINAIRE - LED 5500LM TYPE II
2	3 42 17	1	LUMINAIRE - LED 8000LM TYPE III
2	3 42 28	1	LUMINAIRE - LED 15000LM TYPE III
2	3 42 42	1	LUMINAIRE - LED 30000LM TYPE III
3	3 45 30	1	PHOTO CONTROL SHORTING CAP

**BACK TO INDEX PAGE**

**SaskPower** - DISTRIBUTION STANDARDS

APPROVAL	DESIGN CHK	DRN. <b>ARU</b>	<b>LIGHT-EMITTING DIODE (LED) LUMINAIRE</b>
<b>L. MOEN</b>	<b>A. UHREN</b>	CHKD.	
		<b>2017-05-16</b>	
DATE OF ISSUE:	2017/08/31	DRAWING NO: <b>A-20-11</b>	<b>SHEET 1 OF 2</b>   REV. <b>A</b>



LUMINAIRE COMPARISON

CODE	LUMINAIRE	REPLACES
34212	5500 LM	70/100W HPSV (CODE 34207/34210/34211)
34217	8000 LM	150W HPSV (CODE 34215/34216)
34228	15000 LM	250W HPSV (CODE 34225/34226)
34242	30000 LM	400W HPSV (CODE 34240/34241)

NOTE:

1. REFER TO SEP 4 FOR DETAILS REGARDING SPACING AND MOUNTING HEIGHTS

<b>SaskPower</b> – DISTRIBUTION STANDARDS				
APPROVAL L.MOEN	DESIGN CHK. A.UHREN	DRN. E.GOTANA CHKD.	LIGHT-EMITTING DIODE (LED) LUMINAIRE	
		2017-05-30		
DATE OF ISSUE	<b>2017/08/31</b>	DRAWING NO. A-20-11	SHEET 2 of 2	REV. A