

UNDERGROUND COMPONENTS

DRAWING NUMBER	SHT.	DRAWING TITLE	DWG REV.	BOM REV.
B-26-00	1 - 1	GENERAL INFORMATION	0	-
B-26-46	1 - 4	SERVICE PEDESTAL	E/0/0	D
B-26-47	1 - 2	COMBINATION STREETLIGHT/SERVICE PEDESTAL	C	0
B-26-50	1 - 2	RURAL 1Ø SWITCHING CUBICLE	E	B
B-26-60	1 - 2	RURAL 1Ø REACTOR, DEAD-FRONT LOAD-BREAK	D	C
B-26-61	1 - 2	RURAL 1Ø REACTOR WITH RADIAL	C	B
B-26-65	1 - 2	VEHICLE BARRIER	C	0
B-26-66	1 - 2	CATTLE BARRIER FOR PADMOUNT TRANSFORMER	B	B
B-26-70	1 - 4	FOUR WAY 3Ø SWITCHING CUBICLE	0/A/0	C
B-26-71	1 - 2	THREE WAY 1Ø SWITCHING CUBICLE	B	A
B-26-73	1 - 2	URBAN 3Ø VAULT ACCESSORIES	B	C
B-26-74	1 - 1	INTERMEDIATE PRE-CAST CONCRETE BOX PAD	0	-
B-26-75	1 - 3	URBAN 3Ø VAULTS	E/A/A	-
B-26-76	1 - 3	CLEARANCE REQUIREMENTS FOR TRANSFORMER TO WALLS	0/0/B	-
B-26-77	1 - 2	URBAN 3Ø MODULAR VAULT	A / 0	-
B-26-79	1 - 5	3Ø PADMOUNT VISTA SWITCH	B/0/0	A/A
B-26-80	1 - 2	BARB WIRE FENCE REPAIR	0	0
B-26-81	1 - 3	GROUND LEVEL PULL BOX	0 / 0	0

SaskPower - DISTRIBUTION STANDARDS

APPROVAL
L. MOEN

DESIGN CHK
D. DONAIS

DRN. **DCD**
CHKD.

2018-08-29

INDEX

DATE OF ISSUE: 2018-09-13

DRAWING NO: **B-26-INDEX**

SHEET 1 of 1

REV. Y

1. TAKE-OFF STRUCTURES

RURAL & URBAN TAKE-OFF STRUCTURE INSTALLATION DETAILS AND MATERIAL REQUIREMENTS ARE SHOWN IN SECTION B-12 & B-14

2. SWITCHING CUBICLES (RURAL)

SWITCHING CUBICLES MAY BE UTILIZED ON A UNDERGROUND PROJECT WHEREVER A "NORMALLY OPEN" POINT IS REQUIRED (i.e., AT THE CENTER OF A LOOP) OR WHERE A "T" TAP OCCURS. THEY SHOULD BE LOCATED AT THE EDGE OF ROAD ALLOWANCES WHEREVER POSSIBLE.

EACH RURAL CUBICLE WILL CONTAIN A 25 kV, 200 AMP, FEED-THROUGH MODULE COMPLETE WITH TWO PARKING STANDS AND FOUR LOAD BREAK BUSHINGS. THE CUBICLES ARE SIMILAR IN SIZE AND APPEARANCE TO A PADMOUNTED TRANSFORMER, AND WILL BE MOUNTED ON A FIBERGLASS BOX PAD.

ANY MODULE BUSHINGS WHICH ARE NOT REQUIRED FOR NORMAL OPERATION MUST BE COVERED WITH LOAD BREAK CAP. IF FUTURE EXPANSION OF THE RUD SYSTEM OCCURS, THE UNUSED BUSHING(S) CAN BE USED FOR NEW SECTIONS OF CABLE. DRAWING B-26-50 DEPICTS A TAKE-OFF/JUNCTION OPERATION.

DURING SWITCHING OPERATIONS AND/OR WHEN A CABLE SECTION MUST BE "PARKED", THE "OPEN" CABLE ENDS MUST BE PROTECTED WITH ELBOW-TYPE ARRESTERS. FOR EACH CABLE TO BE PROTECTED, A FEED-THROUGH BUSHING MUST BE INSTALLED ON ONE OF THE PARKING STANDS IN THE CUBICLE, WITH THE CABLE END PLACED ON ONE SIDE OF THE FEED-THROUGH AND THE ELBOW-TYPE ARRESTER PLACED ON THE OTHER SIDE OF THE FEED-THROUGH. DRAWING B-26-50 DEPICTS A "NORMAL OPEN" SITUATION.

3. REACTORS (RURAL)

REACTORS ARE INSTALLED ON EACH UNDERGROUND PROJECT, TO INTRODUCE INDUCTIVE REACTANCE INTO THE CIRCUIT TO OFFSET THE VOLTAGE RISE ON THE O/H DISTRIBUTION LINE CREATED BY THE CAPACITIVE (LEADING) CURRENT DRAWN THROUGH A REACTIVE LINE.

THE REACTORS WILL BE AVAILABLE TO DESIGN REQUIREMENTS (100, 200 kVAR SIZES). THEY WILL BE MOUNTED ON A STANDARD FIBERGLASS BOX PAD AS SHOWN IN DRAWING B-26-60

THE SOURCE LINE SIDE (INCOMING) CABLE IS INSTALLED ON THE H1A (FARTHEST LEFT) BUSHING, THE LOAD SIDE (OUTGOING) CABLE IS INSTALLED ON THE H1B (CENTER) BUSHING, AN ELBOW-TYPE ARRESTER IS TO BE PLACED ON THE THIRD BUSHING, IF SO EQUIPPED.

PROTECTIVE BARRIER (RURAL)

SUITABLE PROTECTION FOR THE TRANSFORMER, OR PADMOUNT DEVICE, FROM LIVESTOCK AND/OR MACHINERY SHALL BE PROVIDED IF DEEMED NECESSARY. THE PROTECTION MAY BE IN THE FORM OF STEEL OR WOOD POSTS ON THE CORNERS WITH RAILS. EASE OF OPERATION WITH LIVE LINE TOOLS IS MANDATORY. SEE DRAWING B-26-65.

SASKATCHEWAN POWER CORP. - DISTRIBUTION ENGINEERING STANDARDS

DRN. <i>R</i>	DESIGN CHK.	SAFETY APP.	APPROVAL	GENERAL INFORMATION	
CHKD. <i>FTK</i>					
DATE 87-05-05	DATE	DATE	DATE		
DATE OF ISSUE	87-06-01	DRAWING NO.	B-26-00	SHEET 1 of 1	REV. 0

BILL OF MATERIAL

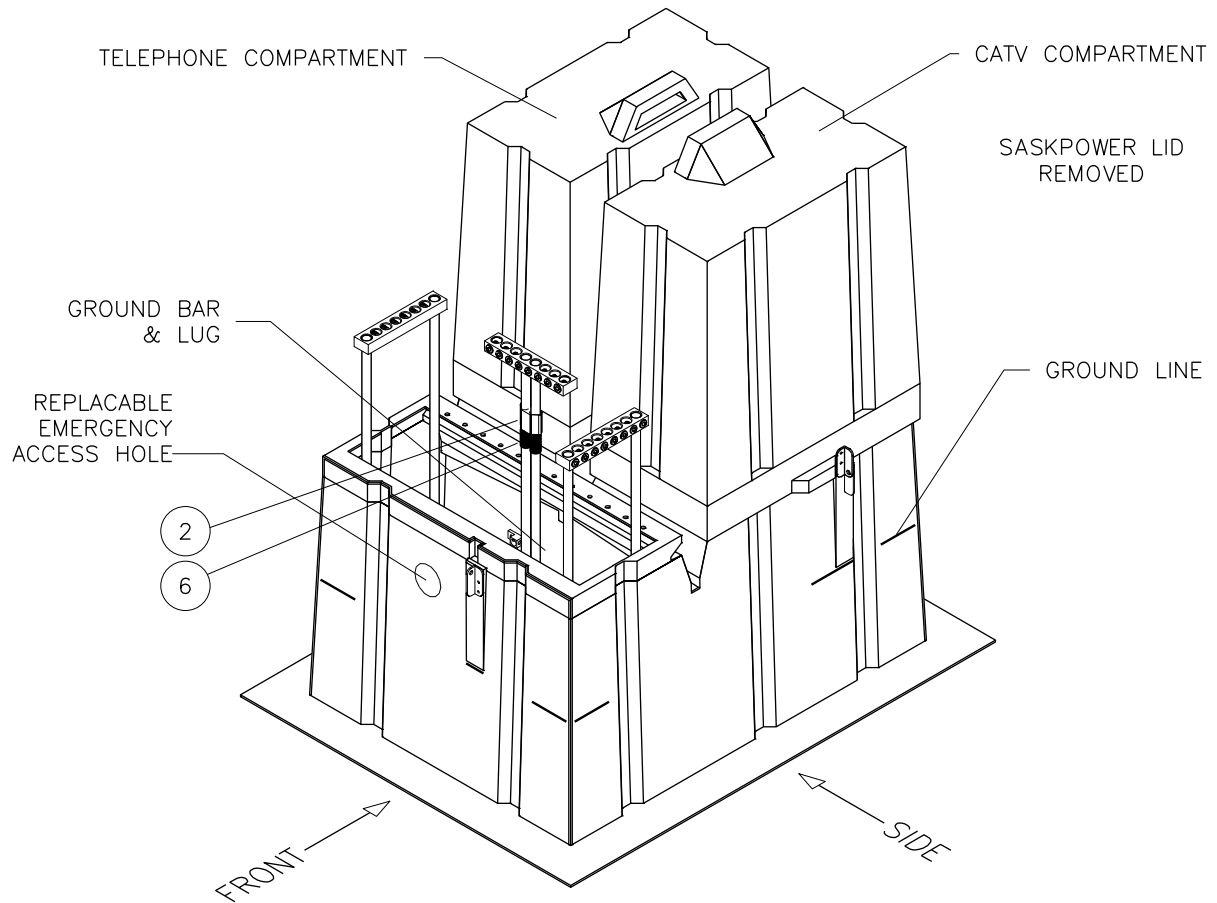
ITEM NO.	CODE NO.	QUANTITY	DESCRIPTION
1	5 06 52	1	PEDESTAL-PLASTIC JOINT USE – 2 COMPARTMENT
1	5 06 63	1	PEDESTAL-PLASTIC JOINT USE – 3 COMPARTMENT
2	5 09 XX	1	CRIMPIT
3	7 66 07	1	MASTER LOCK #500
4	5 06 48	3	TERMINAL BLOCK -8 OUTLET (SEE NOTE 1)
5	70 29 11	36	TYRAP-11" BLACK WEATHERABLE (SEE NOTE 2)
6	71 42 02	1/10	TAPE (ROLL)
7	05 382 3XX	180	MARKER-CABLE – SLEEVE TYPE (SEE NOTE 2)
8	05 382 38X	18	MARKER-CABLE – SLEEVE TYPE STRIPS (SEE NOTE 2)
9	05 641 535	2	SIGN-BURIED CABLE
10	05 641 380	1	SIGN-DANGER ELECTRICAL CIRCUITS
11	PURCHASE LOCALLY	1/2	SAND (m ³) – IF REQUIRED

NOTE:

1. TO REPLACE TERMINAL BLOCK COVER USE CODE 5 06 50.
2. NUMBER OF CABLE MARKERS, STRIPS AND TYRAPS IS DEPENDANT ON NUMBER OF CONDUCTORS IN PEDESTAL. QUANTITY SHOWN IS FOR 2 MAIN RUNS AND 4 SERVICES WITH 10 LETTERS/NUMBERS FOR EACH.

SaskPower - DISTRIBUTION STANDARDS

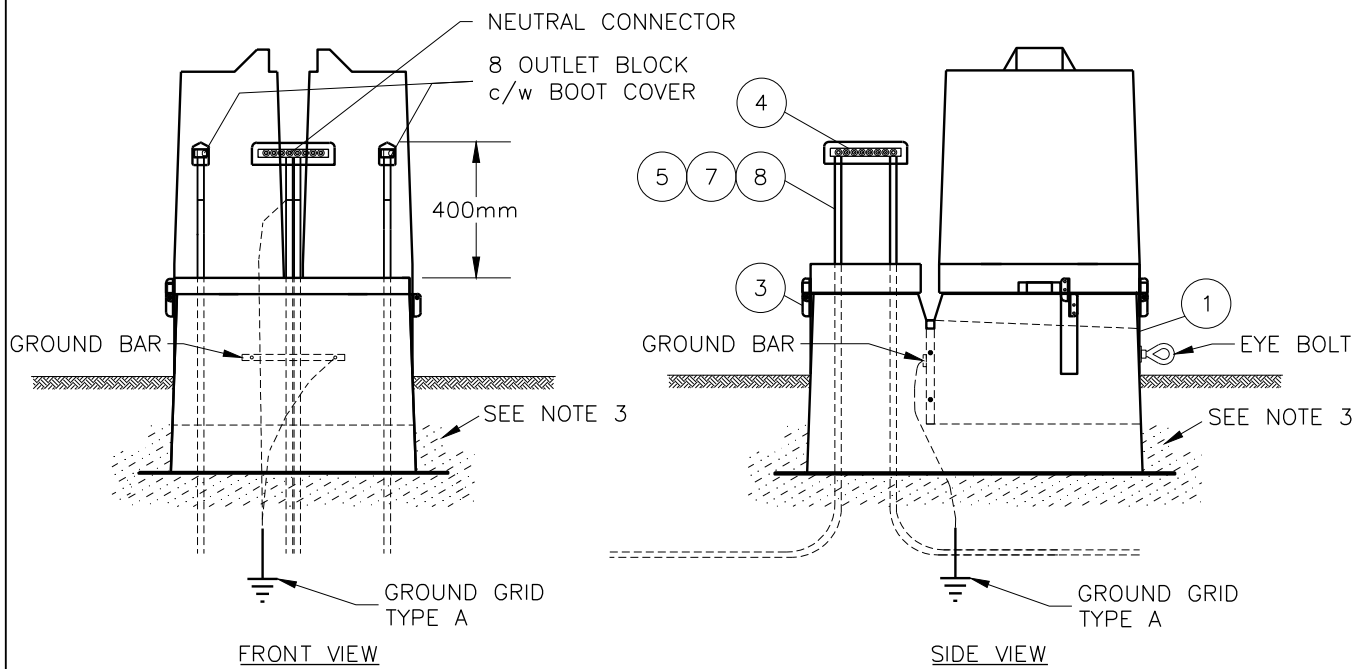
APPROVAL	DESIGN CHK	DRN. ARU	SERVICE PEDESTAL
M. ERETH	A. UHREN	CHKD.	
		2014-12-10	
DATE OF ISSUE:	2015/04/28	DRAWING NO: B-26-46	SHEET 1 OF 4 REV. D



NOTE:

1. FOR GROUNDING SEE DWG B-33-34.
2. WHERE A DOUBLE RUN IS REQUIRED ALL NON-SERVICE NEUTRALS MUST BE CRIMPED.
3. INCLUDE 100mm SAND BASE BELOW BOX PAD. SAND BASE TO ALSO BE PLACED 25mm AROUND SIDES OF BOX PAD UP TO 50mm BELOW GRADE.

ISOMETRIC VIEW

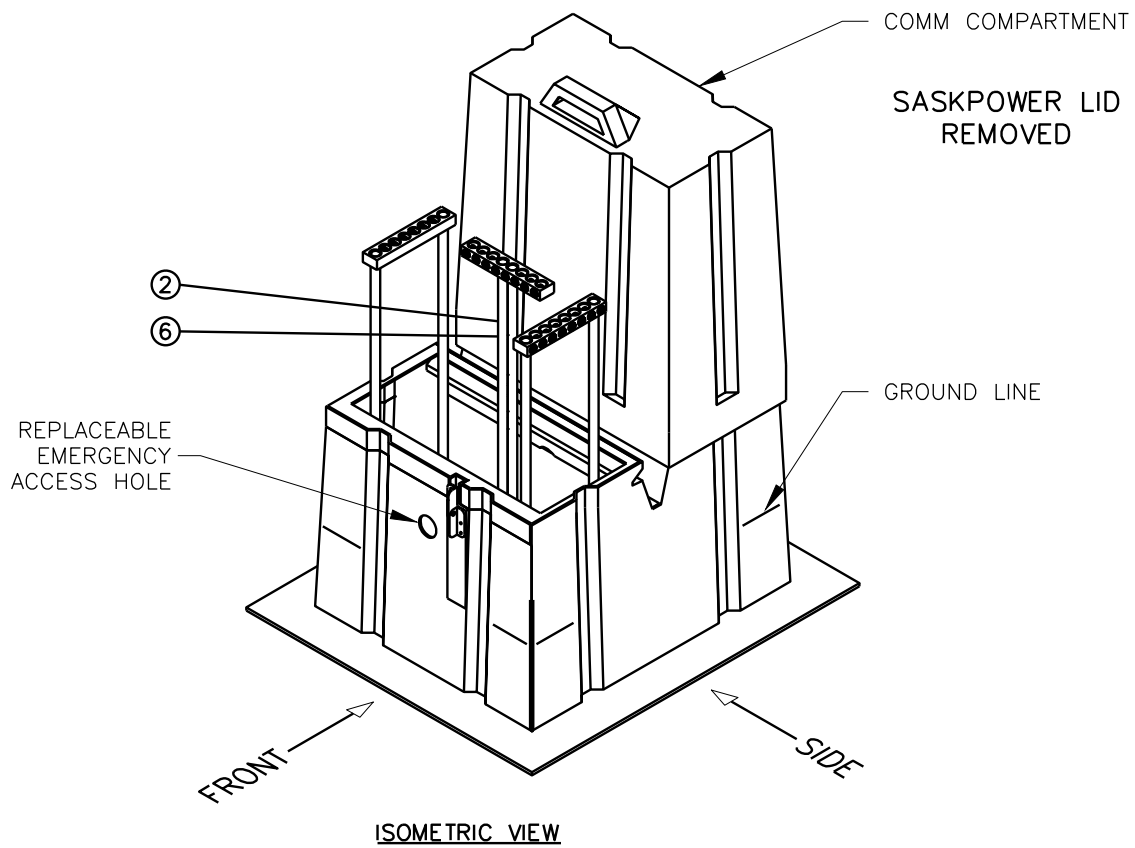


FRONT VIEW

SIDE VIEW

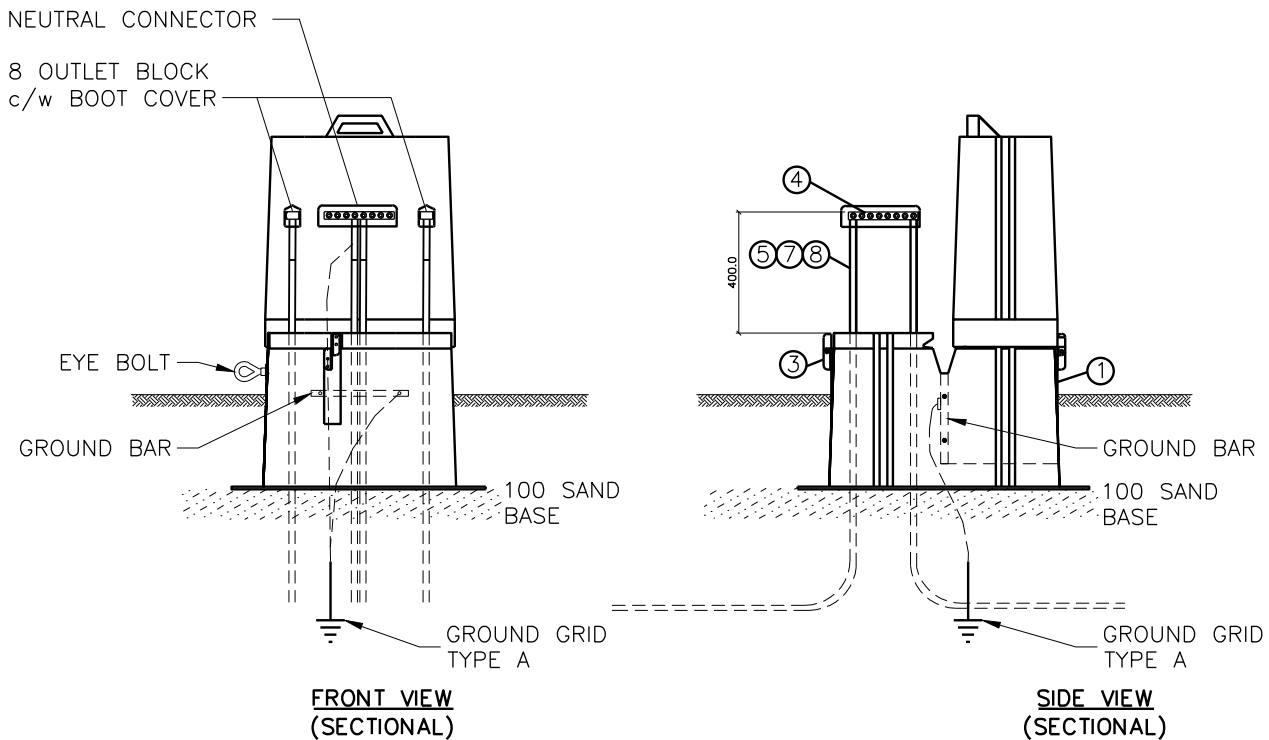
SCALE: N.T.S. ALL DIMENSIONS ARE IN MILLIMETRES UNLESS OTHERWISE INDICATED

SaskPower – DISTRIBUTION STANDARDS			
APPROVAL M.ERETH	DESIGN CHK. A.UHREN	DRN. A.GATZKE CHKD. 2014-10-03	3 COMPARTMENT SERVICE PEDESTAL
DATE OF ISSUE	2015/04/28	DRAWING NO. B-26-46	
		SHEET 2 of 4	REV. E



NOTE:

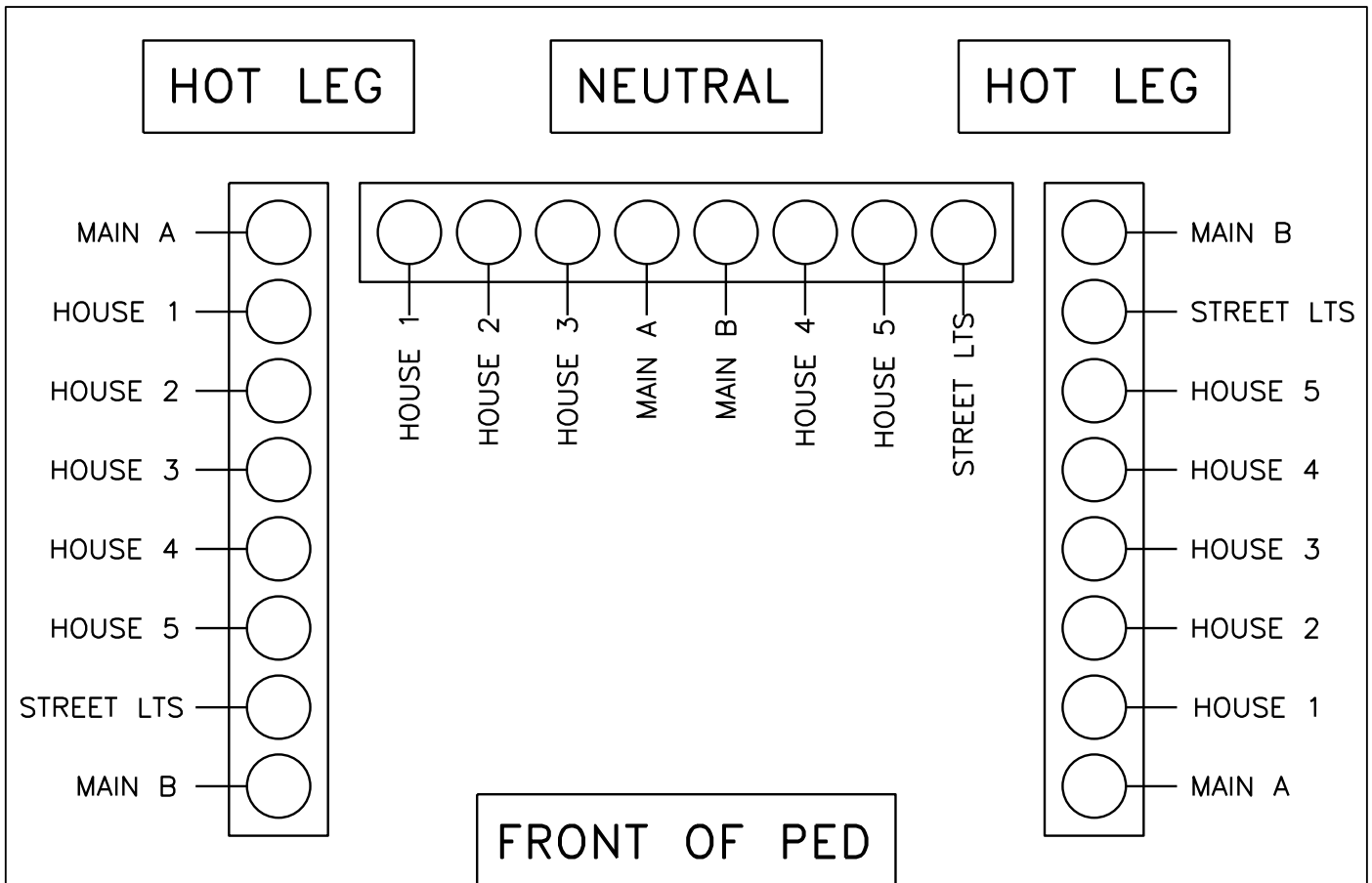
1. FOR GROUNDING SEE DWG B-33-34.
2. WHERE A DOUBLE RUN IS REQUIRED ALL NON-SERVICE NEUTRALS MUST BE CRIMPED.



SCALE: N.T.S. ALL DIMENSIONS ARE IN MILLIMETRES UNLESS OTHERWISE INDICATED

SaskPower – DISTRIBUTION STANDARDS

APPROVAL M. ERETH	DESIGN CHK. L. BAILEY	DRN. SANCHEZ CHKD. TmB 2013-03-01	2 COMPARTMENT SERVICE PEDESTAL
DATE OF ISSUE : 2013/08/19		DRAWING NO. B-26-46	
		SHEET 3 of 4	REV. 0



NOTES:

1. USE CABLE MARKERS ON EACH CONDUCTOR IN PEDESTAL AND FOLLOW NAMING CONVENTION.

2. NAMING CONVENTION:

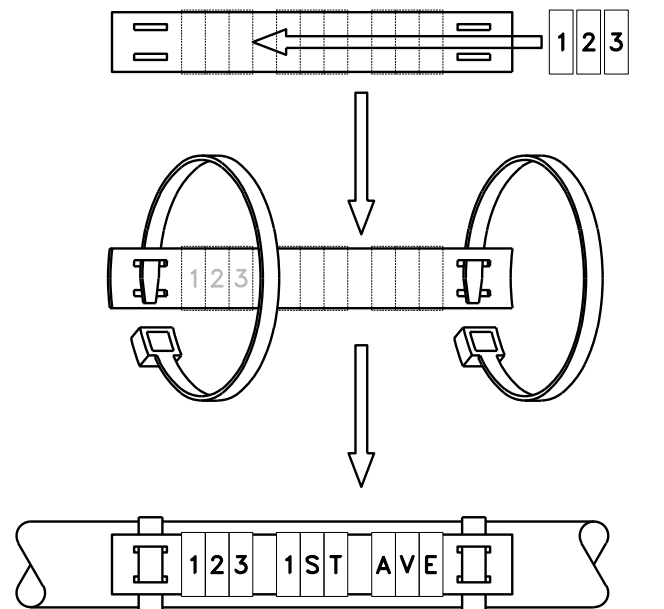
HOUSES – USE CIVIC ADDRESS, SHORTEN IF NECESSARY, ie: (123 1ST AVE)

STREET LIGHTS – USE 'ST LTS' THEN DIRECTION OF RUN, ie: (ST LTS WEST)

MAINS – USE DIRECTION OF RUN, ie: (NORTH)

CABLE MARKERS DETAIL

FERRULES SLIDE ON TO HOLDER



HOLDER IS HELD TO CABLE WITH CABLE TIES

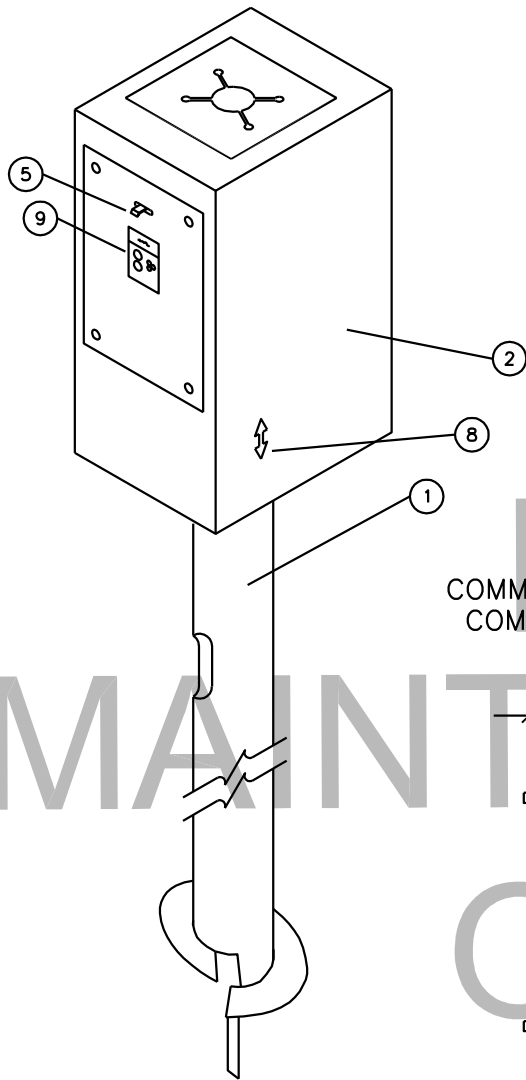
SaskPower – DISTRIBUTION STANDARDS			
APPROVAL M. ERETH	DESIGN CHK. L. BAILEY	DRN. DC CHKD. 2013-03-01	SERVICE PEDESTAL CONNECTION ARRANGEMENT AND CABLE MARKING DETAILS
DATE OF ISSUE : 2013/08/19		DRAWING NO. B-26-46	
		SHEET 4 of 4	REV. 0

BILL OF MATERIAL

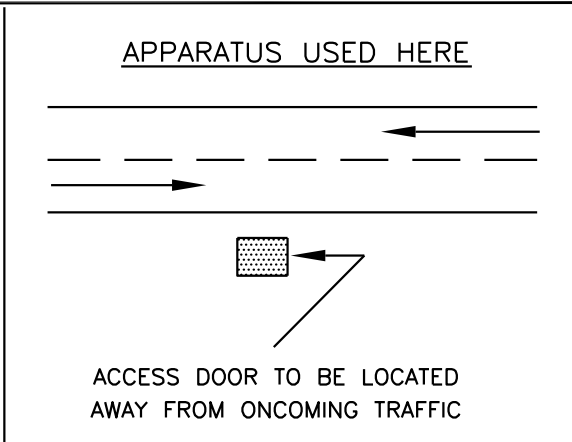
ITEM NO.	CODE NO.	QUANTITY	DESCRIPTION
1	5-06-23	1	BASE-SCREW ANCHOR
2	5-06-24	1	PEDESTAL-COMBINATION STREETLIGHT/SERVICE PEDESTAL
3	5-06-74	3	TERMINAL BLOCK-6 OUTLET
4	5-09-XX	1	CRIMPIT
5	7-66-00	1	PADLOCK
6	71-42-02	0.1	TAPE-HIGH VOLTAGE
7	2-83-04	1 m	WIRE CU-#4/7 STR
8	05-646-582	2	DECAL-WATCH FOR WIRES
9	05-641-385	1	DECAL-DANGER DO NOT OPEN

SaskPower - DISTRIBUTION STANDARDS

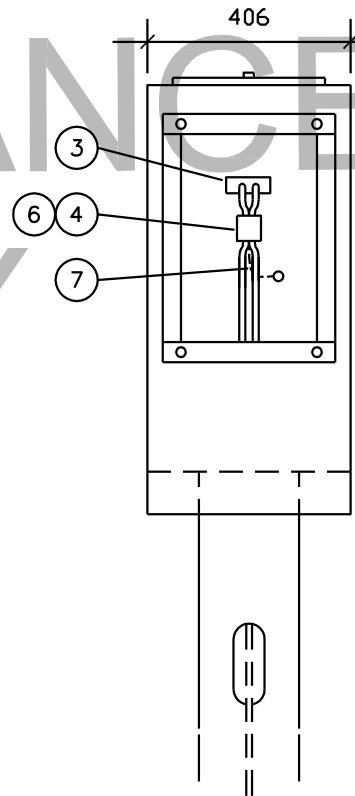
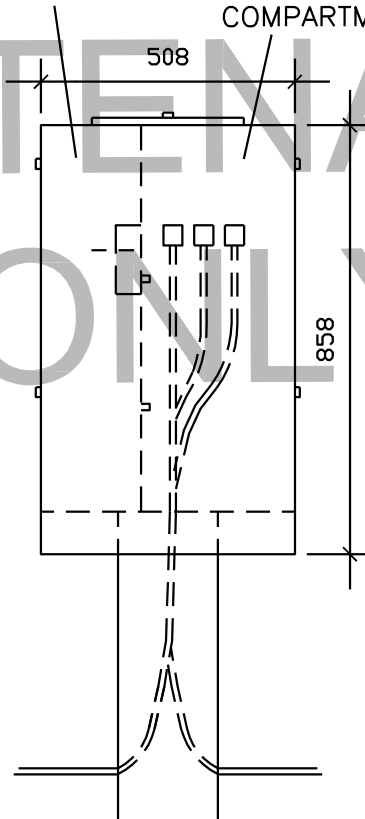
DRN.	DESIGN CHK.	APPROVAL	COMBINATION STREETLIGHT/ SERVICE PEDESTAL	
CHKD.				
DATE		DATE		
DATE OF ISSUE 95-07-10		DRAWING NO: B-26-47	SHEET 1 OF 2	REV. 0



ISOMETRIC VIEW



COMMUNICATION COMPARTMENT SASKPOWER COMPARTMENT



NEUTRAL CONNECTOR DETAIL

NOTE:

1. WHEN INSTALLING SCREW ANCHOR BASE MAKE SURE HOLES LINE UP WITH CABLE RUN.

SCALE: N.T.S.

ALL DIMENSIONS ARE IN MILLIMETRES UNLESS OTHERWISE INDICATED

SaskPower – DISTRIBUTION STANDARDS

APPROVAL	DESIGN CHK.	DRN. S.I.O. CHKD.

COMBINATION STREET LIGHT/
SERVICE PEDESTAL

BILL OF MATERIAL

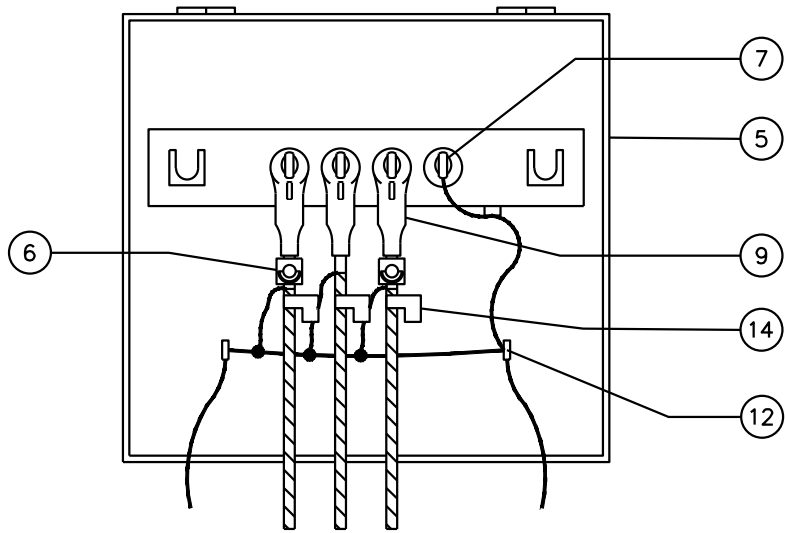
ITEM NO.	CODE NO.	QUANTITY		DESCRIPTION
		A	B	
1	1-12-02	2	2	BOLT MACHINE - 1/2" x 2"
2	1-93-14	2	2	WASHER FLAT - STAINLESS STEEL
3	2-08-23	1	1	CONNECTOR - SPLIT BOLT
4	5-06-04	1	1	FIBERGLASS BOX PAD - 32" HIGH
5	5-06-28	1	1	SWITCHING CUBICLE - LOW PROFILE PADMOUNT
6	5-06-96	2	1	FAULT INDICATOR
7	5-79-14	1	2	CAP - LOAD-BREAK
8	6-04-25	0	1	ARRESTER-PARKING STAND
9	5-80-32	3	3	ELBOW CONNECTOR - LOAD-BREAK
11	7-66-00	1	1	PADLOCK
12	8-28-33	2	2	CONNECTOR - GROUND BOLTED
13	9-01-25	2	2	PLANKING - NONCREOSOTE IF REQUIRED
14	05-384-008	3	3	TAG - CABLE MARKER YELLOW
15	05-638-2XX	7	7	NUMBER - DECAL 1 1/2"
16	05-638-4XX	1	1	LETTER - DECAL 1 1/2"
17	05-646-582	3	3	DECAL - WATCH FOR WIRES
18	05-641-385	1	1	DECAL - DANGER - DO NOT OPEN
19	71-35-00	3	3	KIT - CABLE PREPARATION

NOTE:

1. COLUMN A IS FOR TAKE-OFF/JUNCTION POINT.
2. COLUMN B IS FOR NORMAL OPEN POINT FOR ALTERNATE LOOP FEED.

SaskPower - DISTRIBUTION STANDARDS

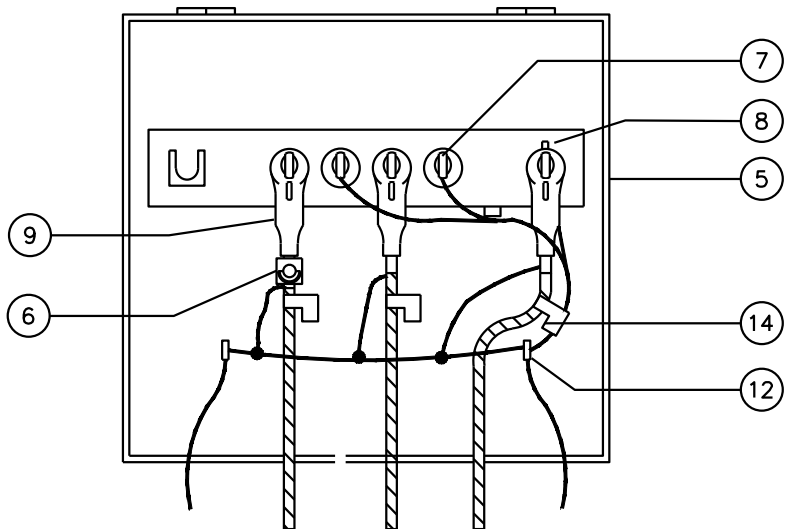
DRN.	DESIGN CHK.	APPROVAL	RURAL 1Ø SWITCHING CUBICLE
CHKD.			
DATE	DATE	DATE	
DATE OF ISSUE 92-01-02		DRAWING NO: B-26-50	SHEET 1 of 2 REV. B



A. TAKE-OFF/JUNCTION POINT

NOTES

1. LOADBREAK CAPS TO BE GROUNDED.
2. FAULT INDICATOR INSTALLED ON LOAD SIDE ELBOW
3. CABLES TO BE RUN AT SIDES OR REAR OF BOX PAD.
4. FEED THRU BUSHING BRACKET AND ELBOW ARRESTOR TO BE GROUNDED.
5. FOR GROUNDING DETAILS SEE DWG. B-33-08
6. FOR BOX PAD DETAILS SEE DWG. B-08-30.
7. FOR RURAL PROTECTIVE BARRIER DWG. B-26-65.
8. ENSURE SUFFICIENT CONCENTRIC NEUTRAL LENGTH FOR ELBOW OPERATION.



B. NORMAL OPEN POINT FOR
ALTERNATE LOOP FEED

SCALE: N.T.S. ALL DIMENSIONS ARE IN MILLIMETRES UNLESS OTHERWISE INDICATED

SaskPower – DISTRIBUTION STANDARDS

APPROVAL L.MOEN	DESIGN CHK. A. UHREN	DRN. E.GOTANA CHKD. 2015-11-05
--------------------	-------------------------	--------------------------------------

RURAL 1 ϕ
SWITCHING CUBICLE

DATE OF ISSUE **2016/02/05** DRAWING NO. B-26-50

SHEET 2 of 2

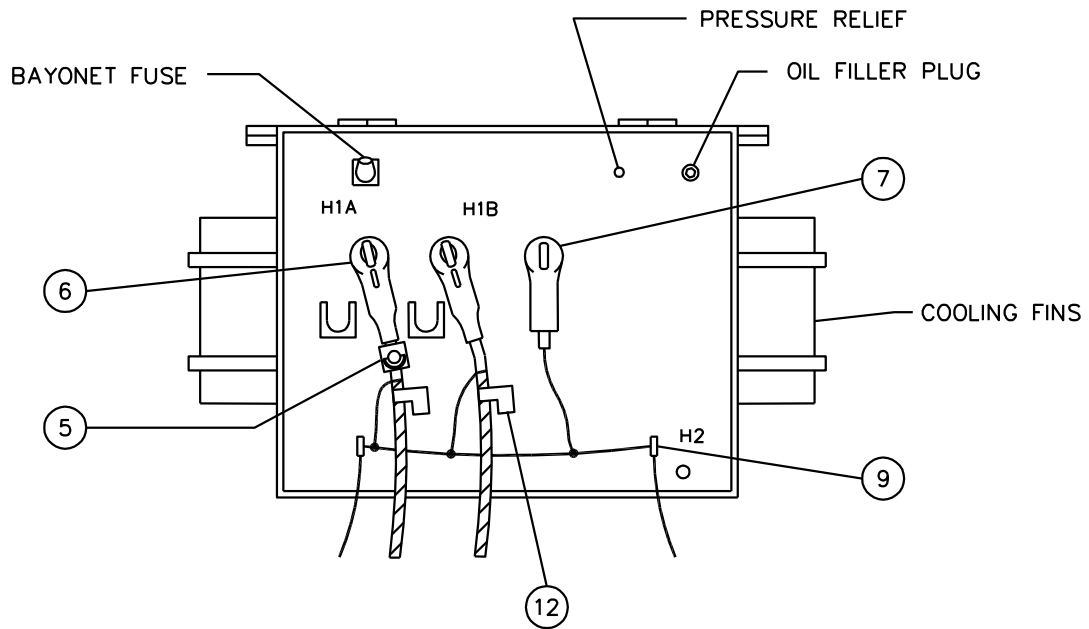
REV. E

BILL OF MATERIAL

ITEM NO.	CODE NO.	QUANTITY	DESCRIPTION
1	1-12-02	2	BOLT MACHINE - 1/2" x 2"
2	1-93-14	2	WASHER FLAT - STAINLESS STEEL
3	2-08-23	1	CONNECTOR - SPLIT BOLT
4	5-06-04	1	FIBREGLASS BOX PAD - 32" HIGH
5	5-06-96	1	FAULT INDICATOR
6	5-80-32	2	ELBOW CONNECTOR - LOAD-BREAK
7	6-04-15	1	ARRESTER SURGE (SEE NOTE 1)
8	7-66-00	1	PADLOCK
9	8-28-33	2	CONNECTOR - GROUND BOLTED
10	9-01-25	2	PLANKING - TREATED
11	71-35-00	2	KIT - CABLE PREPARATION
12	05-384-008	2	TAG - CABLE MARKER YELLOW
13	05-638-2XX	7	NUMBER - DECAL 1 1/2"
14	05-638-4XX	1	LETTER - DECAL 1 1/2"
15	05-646-582	2	DECAL - WATCH FOR WIRES
16	05-641-385	1	DECAL - DANGER - DO NOT OPEN
			<p>NOTE:</p> <p>1. FOR A TWO BUSHING REACTOR, DELETE ITEM 7.</p>

SaskPower - DISTRIBUTION STANDARDS

DRN.	DESIGN CHK.	APPROVAL	RURAL 1Ø REACTOR DEAD-FRONT LOAD-BREAK
CHKD.			
DATE	DATE	DATE	
DATE OF ISSUE 96-07-26		DRAWING NO: B-26-60	SHEET 1 OF 2 REV. C



NOTES:

1. SOURCE SIDE CABLE ON H1A BUSHING AND LOAD SIDE CABLE ON H1B BUSHING.
2. IF THREE H.V. BUSHINGS INSTALL ARRESTER ELBOW FARTHEST RIGHT BUSHING.
3. FAULT INDICATOR INSTALLED ON SOURCE SIDE BUSHING.
4. CABLES TO BE RUN AT SIDES OR REAR OF BOXPAD.
5. FOR GROUNDING DETAILS SEE DWG. B-33-08 GROUND GRID TYPE 'J'.
6. FOR BOX PAD DETAILS SEE DWG. B-08-30.
7. FOR RURAL PROTECTIVE BARRIER SEE DWG. B-26-65
8. ENSURE SUFFICIENT CONCENTRIC NEUTRAL LENGTH FOR ELBOW OPERATION.
9. DO NOT USE FUSE TO OPERATE THIS EQUIPMENT
10. REACTOR FUSING IS NOT CO-ORDINATED. TYPICAL BAYONET FUSE SIZE IS 65A.
11. FOR REACTOR SIZE SELECTION, REFER TO RUD DESIGNERS HANDBOOK.
12. A REACTOR SHOULD NOT BE INSTALLED WITHIN 400 CABLE METERS OF A TRANSFORMER.
13. LOADBREAK ELBOWS CAN ONLY BREAK UP TO 10A OF INDUCTIVE CURRENT. DUE TO THIS, THERE MUST BE A MINIMUM LENGTH OF CABLE TAKEN OUT OF SERVICE TO ALLOW PROPER OPERATION. FOR A 200kVAR REACTOR, 5.4km (3.33 MILES) ARE REQUIRED. FOR A 250kVAR 10.1km (6.25 MILES) ARE REQUIRED.

SCALE: N.T.S. ALL DIMENSIONS ARE IN MILLIMETRES UNLESS OTHERWISE INDICATED

SaskPower – DISTRIBUTION STANDARDS			
APPROVAL L.MOEN	DESIGN CHK. A.UHREN	DRN. Y.HAO CHKD. A.UHREN 2017-01-04	RURAL 1 ϕ REACTOR DEAD-FRONT LOAD-BREAK
DATE OF ISSUE	2017/05/03	DRAWING NO. B-26-60	SHEET 2 of 2
			REV. D

BILL OF MATERIAL

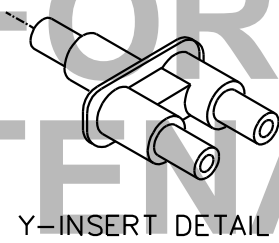
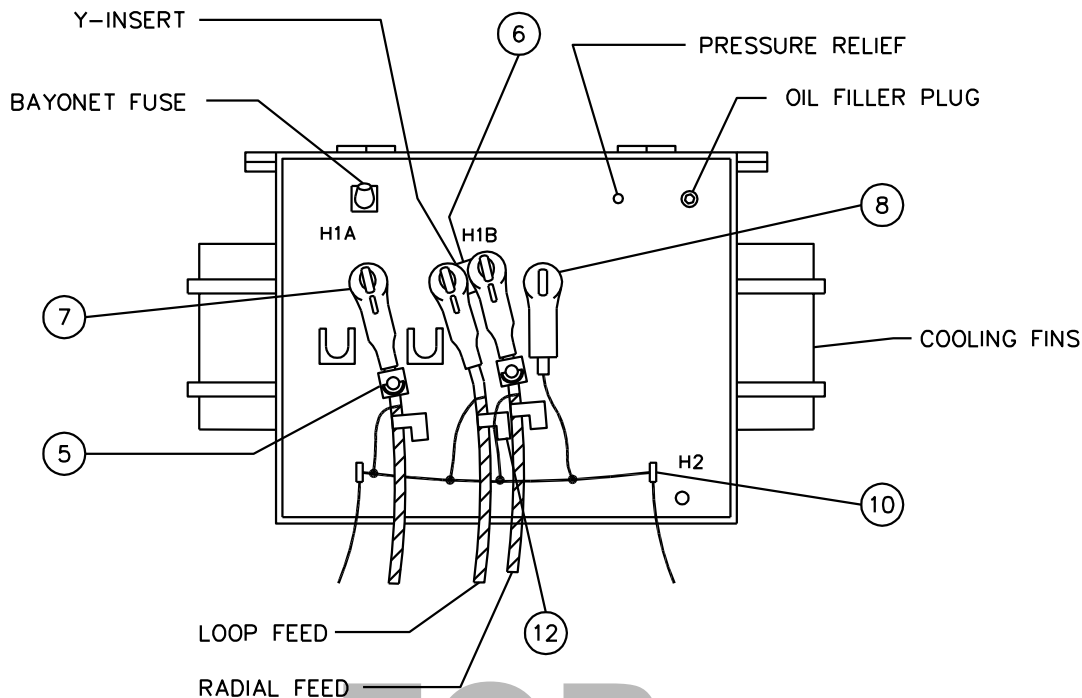
ITEM NO.	CODE NO.	QUANTITY	DESCRIPTION
1	1-12-02	2	BOLT MACHINE - 1/2" X 2"
2	1-93-14	2	WASHER FLAT - STAINLESS STEEL
3	2-08-23	1	CONNECTOR - SPLIT BOLT
4	5-06-04	1	FIBERGLASS BOX PAD - 32" HIGH
5	5-06-96	2	FAULT INDICATOR
6	5-79-13	1	BUSHING - Y-INSERT LOADBREAK
7	5-80-32	3	ELBOW CONNECTOR - LOADBREAK
8	6-04-15	1	ARRESTER SURGE (SEE NOTE1)
9	7-66-00	1	PADLOCK
10	8-28-33	2	CONNECTOR - GROUND BOLTED
11	71-35-00	3	KIT - CABLE PREPARATION
12	05-384-008	3	TAG - CABLE MARKER YELLOW
13	05-638-2XX	7	NUMBER - DECAL 1 1/2"
14	05-638-4XX	1	LETTER - DECAL 1 1/2"
15	05-646-582	3	DECAL - WATCH FOR WIRES
16	05-641-385	1	DECAL - DANGER - DO NOT OPEN
17	9-01-25	2	PLANKING - TREATED

NOTE:

1. FOR A TWO BUSHING REACTOR, DELETE ITEM 8.
2. SALVAGE 5-79-12 BUSHING INSERT.

SaskPower - DISTRIBUTION STANDARDS

DRN.	DESIGN CHK.	APPROVAL	RURAL 1Ø REACTOR WITH RADIAL
CHKD.			
DATE	DATE	DATE	
DATE OF ISSUE 96-07-26		DRAWING NO: B-26-61	SHEET 1 OF 2 REV. B



FOR MAINTENANCE ONLY

NOTES:

1. SOURCE SIDE CABLE ON H1A BUSHING AND LOAD SIDE CABLE ON H1B BUSHING.
2. IF THREE H.V. BUSHINGS INSTALL ARRESTER ELBOW FARTHEST RIGHT BUSHING.
3. FAULT INDICATOR INSTALLED ON SOURCE SIDE BUSHING AND RADIAL BUSHING.
4. CABLES TO BE RUN AT SIDES OR REAR OF BOXPAD.
5. GROUNDING GRID IS TYPE J SEE DWG. B-33-08
6. FOR BOX PAD DETAILS SEE DWG. B-08-30.
7. FOR RURAL PROTECTIVE BARRIER SEE DWG. B-26-65
8. ENSURE SUFFICIENT CONCENTRIC NEUTRAL LENGTH FOR ELBOW OPERATION.
9. DO NOT USE FUSE TO OPERATE THIS EQUIPMENT
10. REACTOR FUSING IS NOT CO-ORDINATED. TYPICAL BAYONET FUSE SIZE IS 65A.
11. FOR REACTOR SIZE SELECTION, REFER TO RUD DESIGNERS HANDBOOK.
12. A REACTOR SHOULD NOT BE INSTALLED WITHIN 400 CABLE METERS OF A TRANSFORMER.
13. LOADBREAK ELBOWS CAN ONLY BREAK UP TO 10A OF INDUCTIVE CURRENT. DUE TO THIS, THERE MUST BE A MINIMUM LENGTH OF CABLE TAKEN OUT OF SERVICE TO ALLOW PROPER OPERATION. FOR A 200kVAR REACTOR, 5.4km (3.33 MILES) ARE REQUIRED. FOR A 250kVAR 10.1km (6.25 MILES) ARE REQUIRED.

SCALE: N.T.S. ALL DIMENSIONS ARE IN MILLIMETRES UNLESS OTHERWISE INDICATED

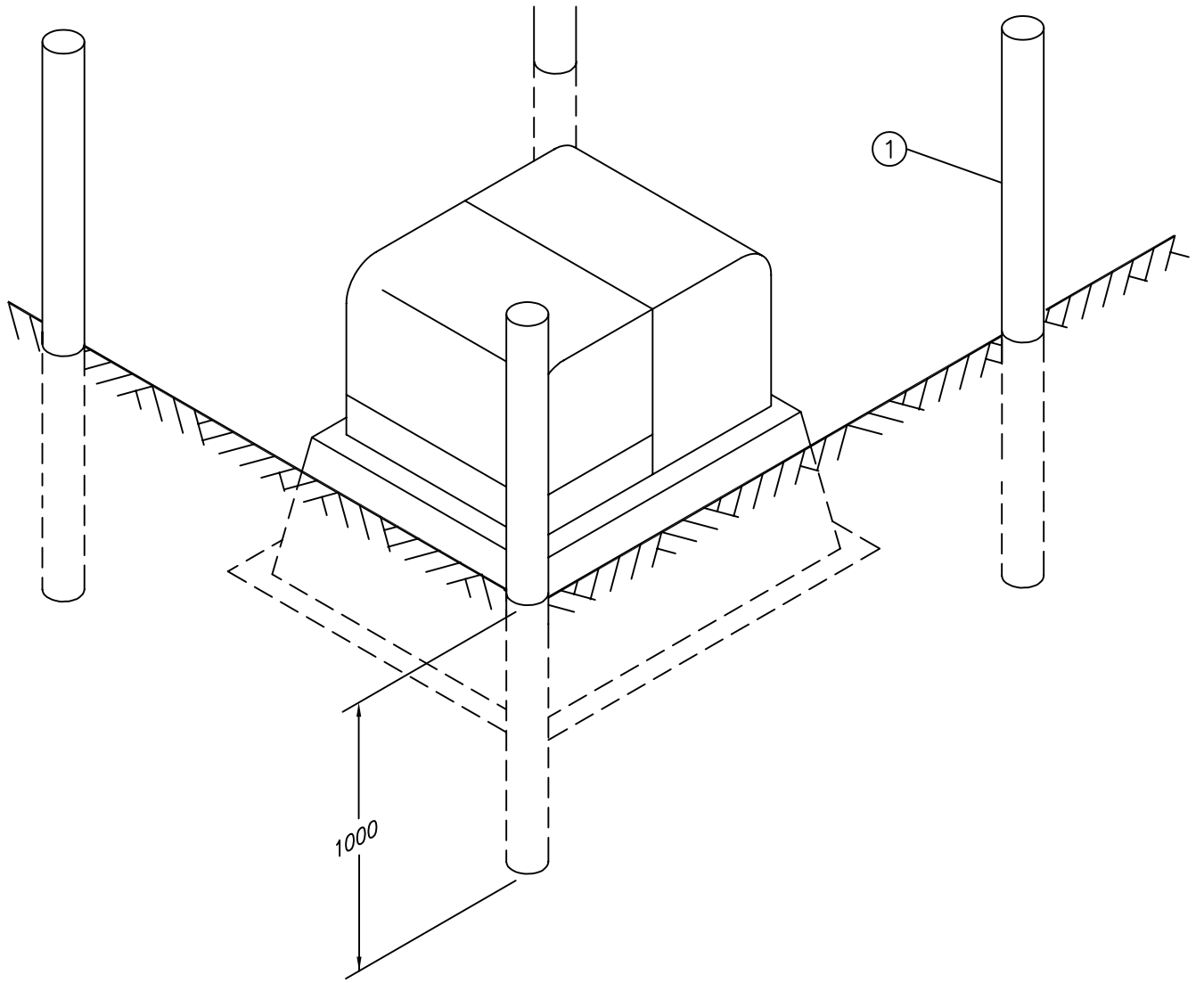
SaskPower – DISTRIBUTION STANDARDS			
APPROVAL L.MOEN	DESIGN CHK. A.UHREN	DRN. Y.HAO CHKD. A.UHREN 2017-01-04	RURAL 1Ø REACTOR WITH RADIAL
DATE OF ISSUE	2017/05/03	DRAWING NO. B-26-61	SHEET 2 of 2
			REV. C

BILL OF MATERIAL

ITEM NO.	CODE NO.	QUANTITY	DESCRIPTION
1	9-06-28	4	POST - STEEL 3.5" x 8'

SaskPower - DISTRIBUTION STANDARDS

DRN.	DESIGN CHK.	APPROVAL	VEHICLE BARRIER
CHKD.			
DATE	DATE	DATE	
DATE OF ISSUE 96-07-26		DRAWING NO: B-26-65	SHEET 1 OF 2 REV. 0



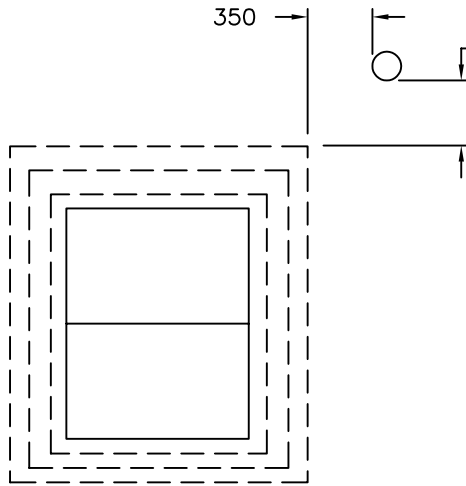
1000

1

350

350

TOP VIEW



SCALE: N.T.S.

ALL DIMENSIONS ARE IN MILLIMETRES UNLESS OTHERWISE INDICATED

SaskPower - DISTRIBUTION STANDARDS

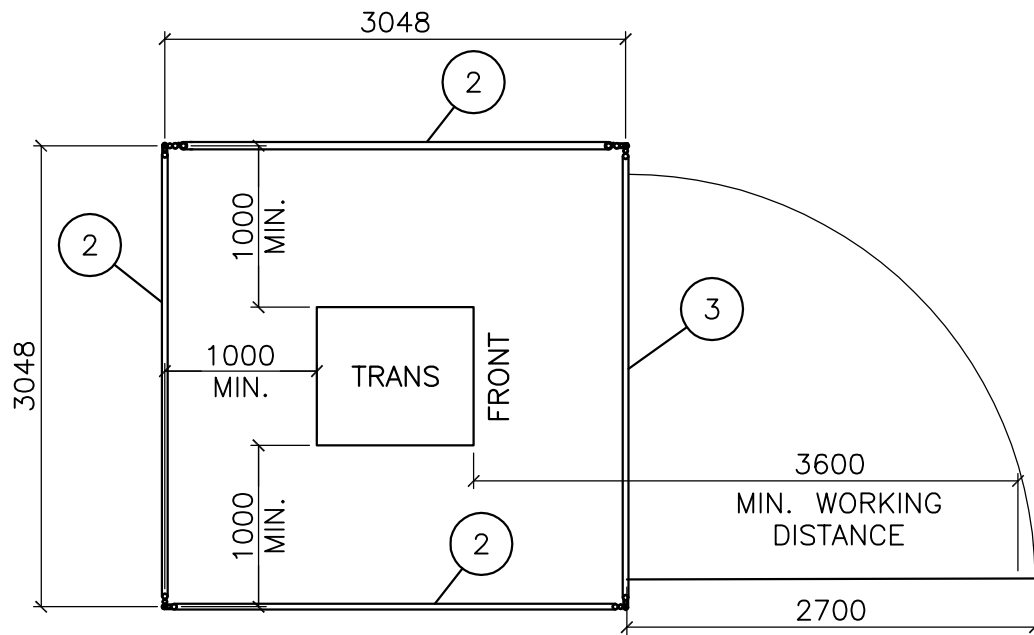
DRN. <i>R</i>	DESIGN CHK.	APPROVAL	VEHICLE BARRIER
CHKD.			
DATE	DATE	DATE	
DATE OF ISSUE	DRAWING NO. B-26-65		SHEET 2 of 2
			REV. C

BILL OF MATERIAL

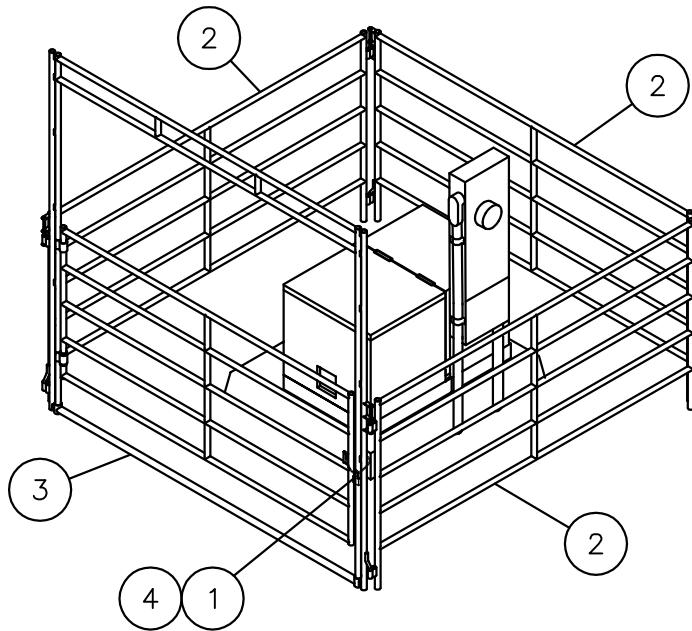
ITEM NO.	CODE NO.	QUANTITY	DESCRIPTION
1	7 66 00	1	PADLOCK #4
2	9 06 31	3	PANEL - LIVESTOCK - 10' LONG - 5' HIGH
3	9 06 32	1	PANEL GATE-LIVESTOCK-10' LONG-5' HIGH
4	-	915mm	GALVANIZED CHAIN – SOURCE LOCALLY

SaskPower - DISTRIBUTION STANDARDS

APPROVAL L.MOEN	DESIGN CHK D. DONAIS	DRN. DCD CHKD.	CATTLE BARRIER FOR PADMOUNT TRANSFORMER
		2017-05-01	
DATE OF ISSUE:	2017/05/03	DRAWING NO:	B-26-66 SHEET 1 OF 2 REV. B



RURAL TRANSFORMER – CATTLE BARRIER MINIMUM CLEARANCES



ISOMETRIC VIEW

NOTE:

1. ADDITIONAL PANELS MAY BE ADDED IF MINIMUM CLEARANCES CAN NOT BE ACHIEVED.

SaskPower – DISTRIBUTION STANDARDS					
APPROVAL L. MOEN	DESIGN CHK. D. DONAIS	DRN. J. KERR CHKD.	CATTLE BARRIER FOR PADMOUNT TRANSFORMER		
		2017-05-01			
DATE OF ISSUE	2017/05/03	DRAWING NO.	B-26-66	SHEET 2 of 2	REV. B

PMH 9 25kV 4 WAY SWITCHING CUBICLE

TWO METHODS OF
CABLE TERMINATION:

- (i) STRESS CONE & TAPE APPLICATION
- (ii) PRE-MOULDED POLYMER TERMINATOR

TWO SIDES:

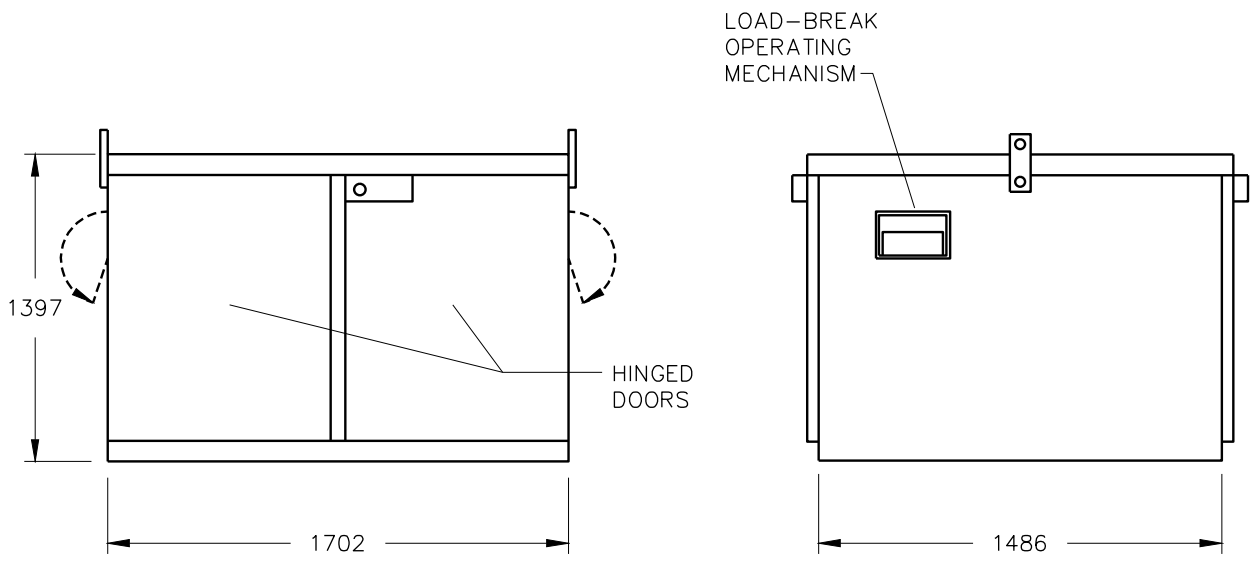
- (i) 25kV – 200A FUSE COMPARTMENTS
- (ii) 25kV – 600A SWITCHING COMPARTMENTS

FUSING:

- SML-4Z POWER FUSE
- "BLOWN" INDICATOR WINDOW
- LOAD BREAKING CAPABILITY
- 200E AMPERES MAX., 20,000A ASYMMETRICAL,
12,500 AMPERES SYMMETRICAL

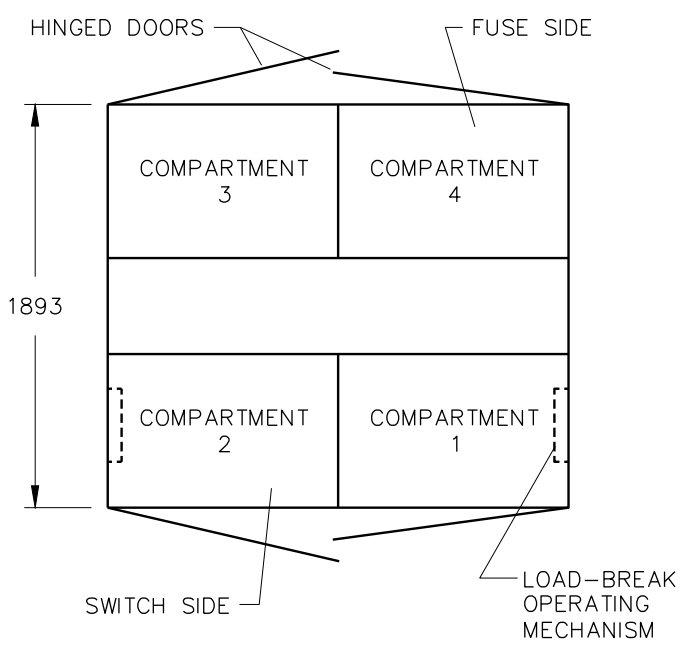
SASKATCHEWAN POWER CORP. – DISTRIBUTION ENGINEERING STANDARDS

DRN. <i>R</i>	DESIGN CHK.	SAFETY APP.	APPROVAL	FOUR WAY 3Ø SWITCHING CUBICLE	
CHKD. <i>FTK</i>					
DATE 87-05-22	DATE	DATE	DATE		
DATE OF ISSUE	87-06-01	DRAWING NO.	B-26-70	SHEET 1 of 4	REV. 0

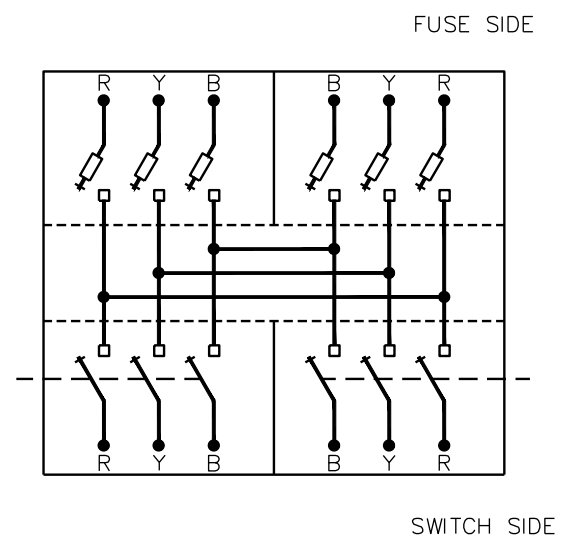


FRONT VIEW

SIDE VIEW



PLAN VIEW



SCHEMATIC

NOTE:

1. INSTALLED ON CONCRETE MODULAR VAULT.
2. FOR GROUNDING SEE B-33-36, B-33-37, B-33-38, B-33-39, B-33-40 OR B-33-41 AS APPROPRIATE.
3. MINIMUM CLEARANCES REQUIRED AROUND PMH: 3m ON SWITCH AND FUSE SIDES WITH DOORS, 1m ON OTHER TWO SIDES.

SCALE: N.T.S. ALL DIMENSIONS ARE IN MILLIMETRES UNLESS OTHERWISE INDICATED

SaskPower – DISTRIBUTION STANDARDS				
APPROVAL	DESIGN CHK.	DRN. A.GATZKE	FOUR WAY 3 ϕ SWITCHING CUBICLE	
M.ERETH	A.UHREN	CHKD.		
		2014-12-17		
DATE OF ISSUE	2015/04/28	DRAWING NO.	B-26-70	SHEET 2 of 4
				REV. A

BILL OF MATERIAL

ITEM NO.	CODE NO.	QUANTITY		DESCRIPTION
		A	B	
1	2 83 XX	X	X	WIRE - CU (SEE NOTE 3)
2	5 06 67	1	--	VAULT CONCRETE MODULAR BASE SECTIONS (SEE NOTE 1)
2	5 06 71	1	--	VAULT CONCRETE MODULAR TOP FOR PMH 4 WAY
2	5 06 21	--	1	FIBERGLASS BOX PAD (83" x 75") (SEE NOTE 1)
3	5 06 20	1	1	SWITCHGEAR - PMH-9
3	5 06 22	1	1	SWITCHGEAR - PMH-13
4	5 06 94	X	X	FAULT INDICATOR-300 AMP-REMOTE INDICATOR
5	5 12 XX	X	X	CONNECTOR COMPRESSION
6	8 35 06	X	X	TERMINATOR - #1 AL SOLID
7	8 35 31	X	X	TERMINATOR - 4/0 AL COMPACT
7	8 35 29	X	X	TERMINATOR - 500 kcmil CU/AL COMPACT
8	9 01 25	--	2	PLANK - TREATED
9	05 638 2XX	X	X	NUMBERS - IDENTIFICATION
10	05 641 385	2	2	DECAL - DANGER DO NOT OPEN
11	05 646 582	2	2	DECAL - WATCH FOR WIRES

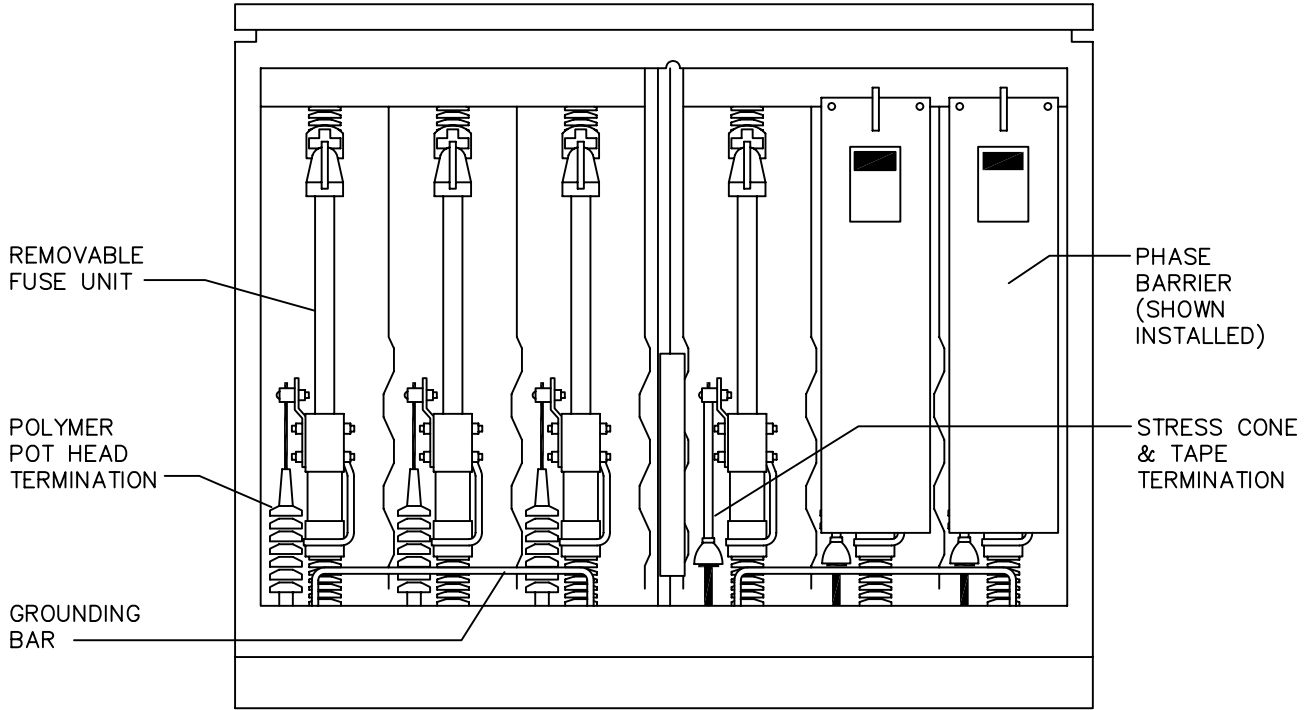
NOTE:

1. EITHER VAULT WORKS WITH EITHER SWITCHGEAR.
2. COLUMN A IS FOR A CONCRETE VAULT WITH MANHOLE.
COLUMN B IS FOR A FIBERGLASS BOX PAD.
3. MINIMUM 1/0 CU OR 2 x #2 CU CONNECTION FROM PMH TO GROUND GRID.

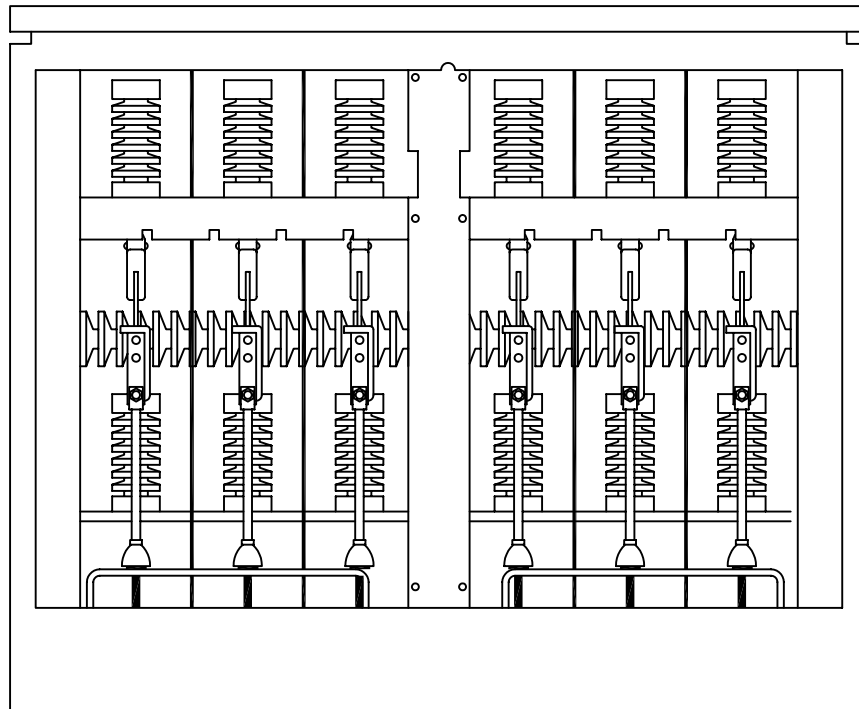
SaskPower - DISTRIBUTION STANDARDS

APPROVAL	DESIGN CHK	DRN. ARU	FOUR WAY 3Ø SWITCHING CUBICLE
M. ERETH	A. UHREN	CHKD.	
		2015-03-20	
DATE OF ISSUE	2015/04/28	DRAWING NO. B-26-70	SHEET 3 OF 4 REV. C

25kV FUSE COMPARTMENTS



25kV SWITCHING COMPARTMENTS



SCALE: N.T.S. ALL DIMENSIONS ARE IN MILLIMETRES UNLESS OTHERWISE INDICATED

SASKATCHEWAN POWER CORP. – DISTRIBUTION ENGINEERING STANDARDS

DRN. <i>DC</i>	DESIGN CHK.	SAFETY APP.	APPROVAL	FOUR WAY 3Ø SWITCHING CUBICLE
CHKD. <i>FTK</i>				
DATE 87-05-11	DATE	DATE	DATE	
DATE OF ISSUE 87-06-01			DRAWING NO. B-26-70	SHEET 4 of 4 REV. 0

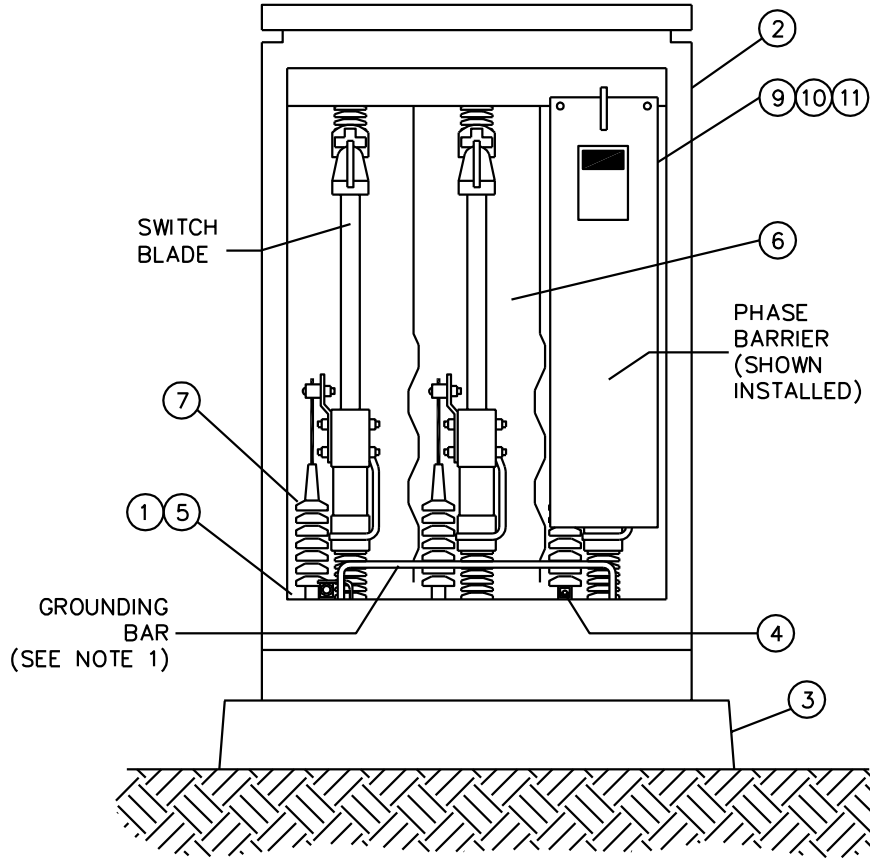
BILL OF MATERIAL

ITEM NO.	CODE NO.	QUANTITY	DESCRIPTION
1	2 83 XX	3 m	WIRE CU (SEE NOTE 1)
2	5 06 14	1	SWITCHGEAR – PMH-4
3	5 06 17	1	FIBERGLASS BOX PAD (66.5” X 55.75”)
4	5 06 94	1	FAULT INDICATOR-300 AMP-REMOTE INDICATOR (SEE NOTE 2)
4	5 06 96	1	FAULT INDICATOR-80 AMP-REMOTE INDICATION (SEE NOTE 2)
5	5 12 XX	5	CONNECTOR – COMPRESSION
6	7 54 XX	1	25kV TYPE E FUSE UNIT (REFILL)
7	8 35 XX	3	TERMINATOR
8	71 35 00	3	KIT – CABLE PREPARATION
9	05 638 2XX	X	NUMBERS – IDENTIFICATION
10	05 641 385	2	DECAL – "DANGER HIGH VOLTAGE DO NOT OPEN"
11	05 646 582	2	DECAL – "WATCH FOR WIRE"
			<p>NOTE:</p> <ol style="list-style-type: none"> 1. MINIMUM 1/0 CU OR 2 x #2 CU CONNECTION FROM PMH TO GROUND GRID. 2. USE 80A FAULT INDICATOR (5 06 96) IN RURAL. USE 300A FAULT INDICATOR (5 06 94) IN URBAN.

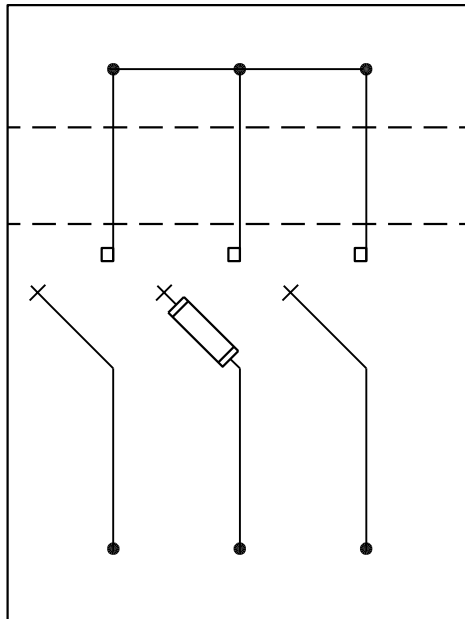
SaskPower - DISTRIBUTION STANDARDS

APPROVAL	DESIGN CHK	DRN. ARU	THREE WAY 1Ø SWITCHING CUBICLE
M. ERETH	A. UHREN	CHKD.	
		2014-11-24	
DATE OF ISSUE:	2015/04/28	DRAWING NO: B-26-71	SHEET 1 OF 2 REV. A

25kV FUSE COMPARTMENT



CONNECTION DIAGRAM



NOTE:

- 1. USE TYPE 'J' GROUND GRID (SEE B-33-08)
- 2. MINIMUM CLEARANCE REQUIRED AROUND PMH, 3m IN FRONT OF BOTH DOOR SIDES, 1m ON OTHER TWO SIDES.

SCALE: N.T.S. ALL DIMENSIONS ARE IN MILLIMETRES UNLESS OTHERWISE INDICATED

APPROVED FOR CONSTRUCTION

SaskPower – DISTRIBUTION STANDARDS

APPROVAL
L.MOEN

DESIGN CHK.
D.DONAIS

DRN.C.BAUTISTA
CHKD.

2018-08-30

THREE WAY 1Ø
SWITCHING CUBICLE

DATE OF ISSUE **2018-09-13**

DRAWING NO. B-26-71

SHEET 2 of 2

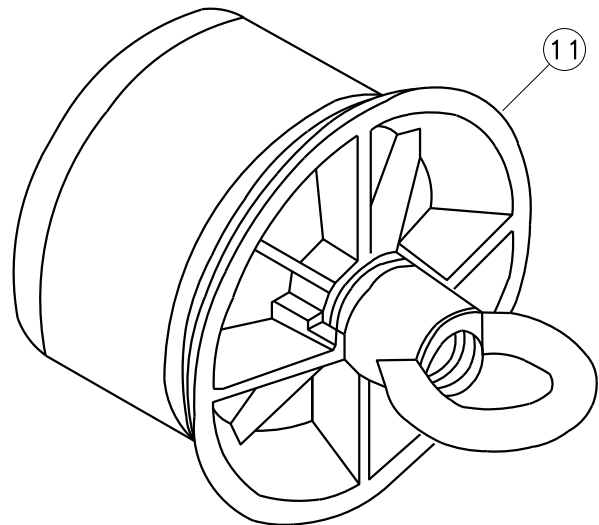
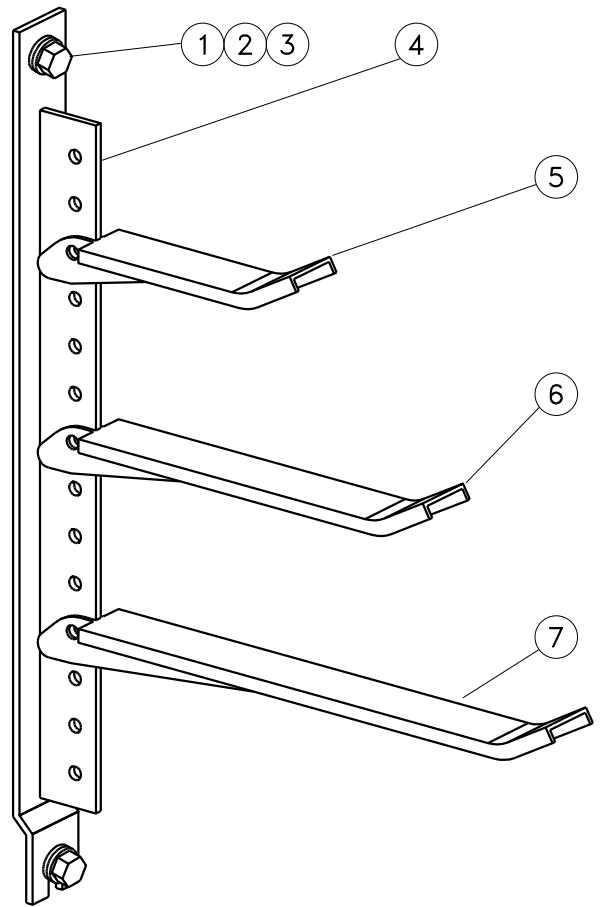
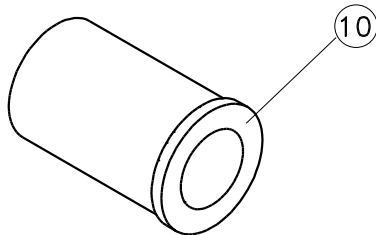
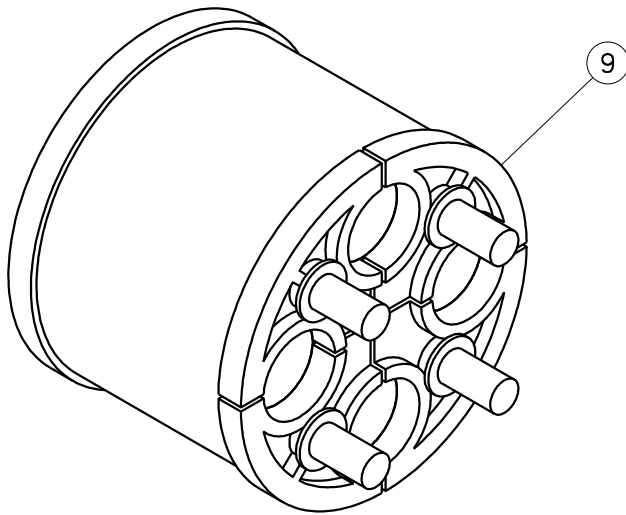
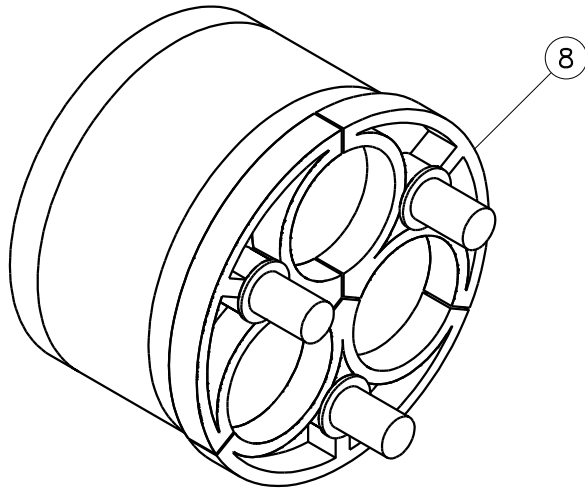
REV. B

BILL OF MATERIAL

ITEM NO.	CODE NO.	QUANTITY	DESCRIPTION
1	1 93 20	12	LOCK WASHER - 5/8" GLVD
2	1 93 33	12	FLAT WASHER - 5/8" GLVD
3	70 08 16	12	BOLT - 5/8" x 1 1/4" CADMIUM PLATED
4	71 74 25	6	CABLE RACK - 27 1/2" GLVD
5	71 75 21	--	CABLE RACK HOOK - 6" GLVD
6	71 75 22	12	CABLE RACK HOOK - 10" GLVD W/ PLASTIC COATING
7	71 75 23	--	CABLE RACK HOOK - 15" GLVD W/ PLASTIC COATING
8	70 31 50	--	DUCT PLUG 5" - 3 x 500 MCM CABLES
9	70 31 53	--	DUCT PLUG 5" - QUAD
10	70 31 51	--	BUSHING SLEEVE INSERT - 4/0 FOR 5" DUCT PLUG
10	70 31 52	--	BUSHING SLEEVE INSERT - #1 FOR 5" DUCT PLUG
10	70 31 54	--	BUSHING SLEEVE INSERT - 1/0 SECONDARY
10	70 31 55	--	BUSHING SLEEVE INSERT - 4/0 SECONDARY
10	70 31 56	--	BUSHING SLEEVE INSERT - 350kcmil SECONDARY
10	70 31 58	--	BUSHING SLEEVE INSERT - 500kcmil SECONDARY
11	70 31 59	--	DUCT PLUG 5" - BLANK

SaskPower - DISTRIBUTION STANDARDS

APPROVAL	DESIGN CHK	DRN. ARU	URBAN 3Ø VAULT ACCESSORIES
L. MOEN	A. UHREN	CHKD.	
		2016-09-02	
DATE OF ISSUE:	2016/11/08	DRAWING NO: B-26-73	SHEET 1 OF 2 REV. C



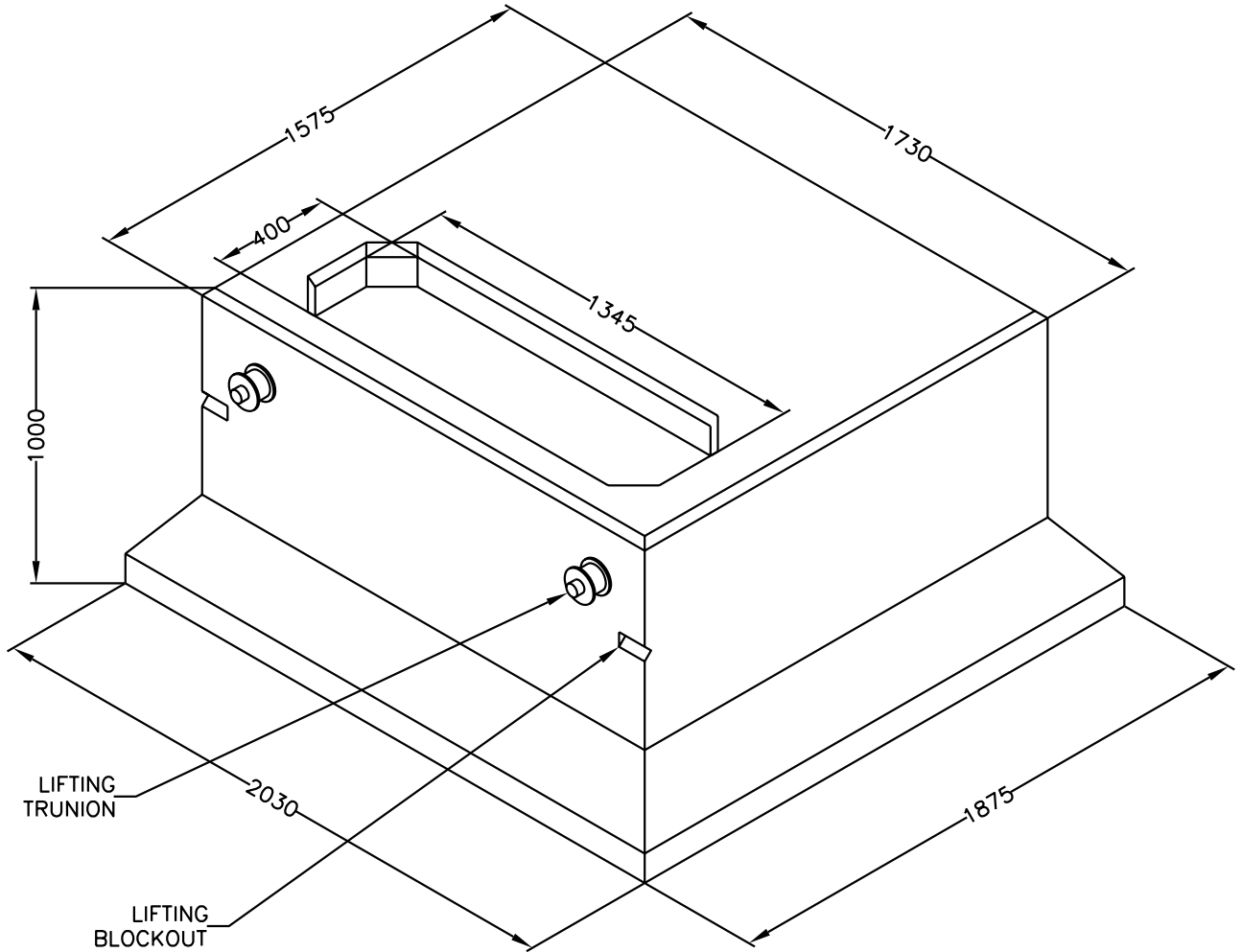
SCALE: N.T.S. ALL DIMENSIONS ARE IN MILLIMETRES UNLESS OTHERWISE INDICATED

SaskPower – DISTRIBUTION STANDARDS

APPROVAL L.MOEN	DESIGN CHK. A. UHREN	DRN. Y.HAO CHKD. 2016-08-30
--------------------	-------------------------	-----------------------------------

URBAN 3PH VAULT
ACCESSORIES

DATE OF ISSUE	2016/11/08	DRAWING NO. B-26-73	SHEET 2 of 2	REV. B
---------------	------------	---------------------	--------------	--------



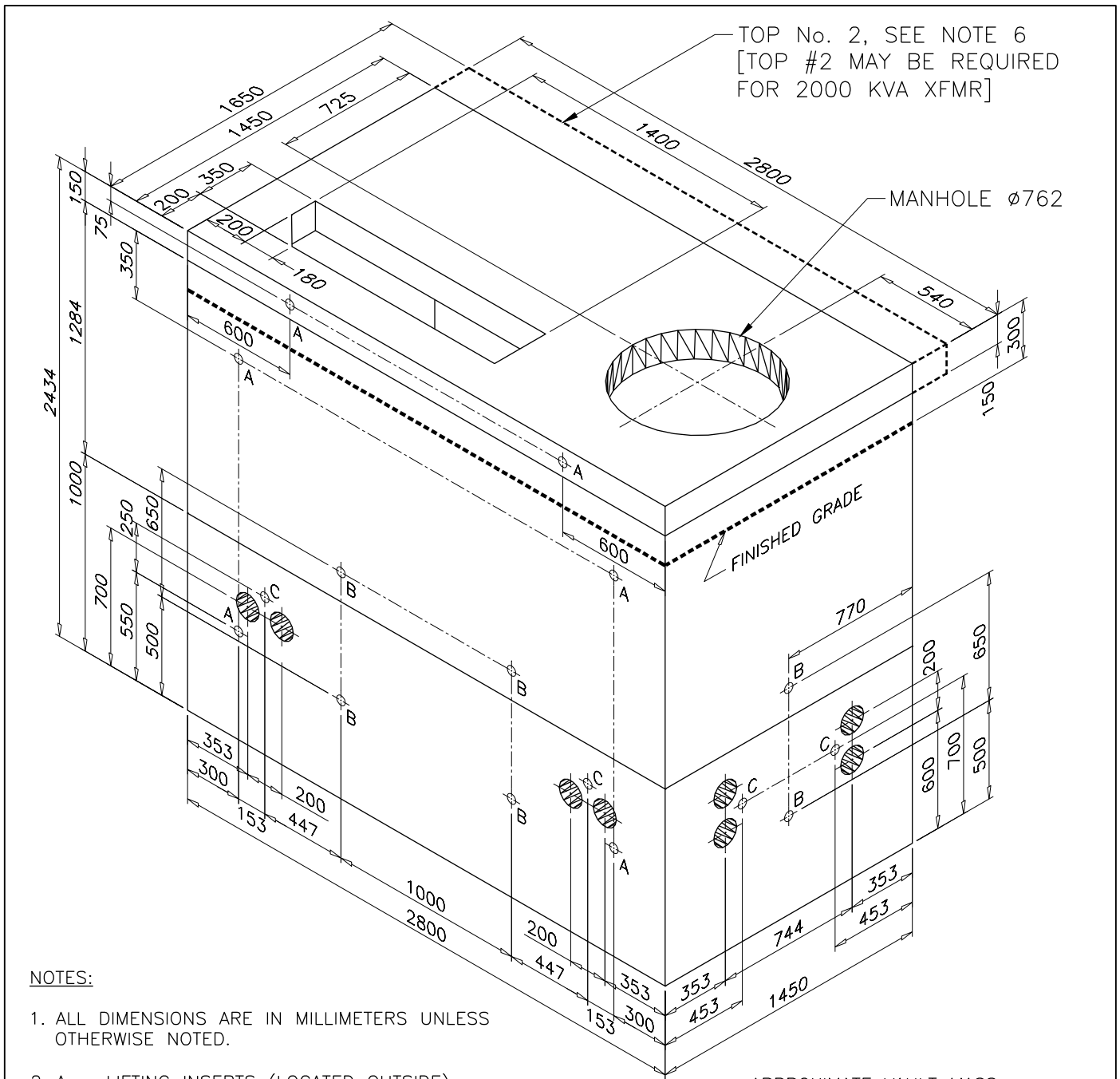
NOTES

1. APPROXIMATE MASS 2800kg (6200 lbs)
2. SASKPOWER CODE 5-06-11
3. ALL DIMENSIONS ARE IN MILLIMETERS UNLESS OTHERWISE NOTED.
4. THE BOX PAD HAS AN OPEN BOTTOM.
5. TRANSFORMER MAXIMUM DIMENSIONS ARE 750kVA, 1730 x 1575mm (68" x 62") AND MAXIMUM WEIGHT OF 4500kg (10,000 lbs).

SCALE: N.T.S. ALL DIMENSIONS ARE IN MILLIMETRES UNLESS OTHERWISE INDICATED

SaskPower – DISTRIBUTION STANDARDS

DRN. J. KERR	DESIGN CHK.	APPROVAL	INTERMEDIATE PRE-CAST CONCRETE BOX PAD
CHKD. J.LB			
DATE 00-10-20	DATE	DATE	
DATE OF ISSUE: 2003/05/30		DRAWING NO. B-26-74 SHEET 1 of 1	REV. 0



TOP No. 2, SEE NOTE 6
 [TOP #2 MAY BE REQUIRED
 FOR 2000 KVA XFMR]

MANHOLE ø762

FINISHED GRADE

NOTES:

1. ALL DIMENSIONS ARE IN MILLIMETERS UNLESS OTHERWISE NOTED.
2. A – LIFTING INSERTS (LOCATED OUTSIDE)
 B – RACKING INSERTS (LOCATED INSIDE)
 C – PULLING INSERTS (LOCATED INSIDE)
3. RETURN LIFTING HOOKS AND BOLTS TO REGINA SALVAGE AFTER INSTALLATION.
4. REFERENCE FABRICATION DRAWING M2-54 & M2-55.
5. CHECK TX. SIZE. OVERHANG OF TX. BASE IS NOT PERMITTED.
6. APPLY RAM NEK SEALANT BETWEEN BOTTOM AND MIDDLE SECTIONS.
7. MAXIMUM TRANSFORMER WEIGHT IS 6400kg (REFERENCE DA 390.20).
8. PRIOR TO 2013, HEIGHT OF MIDDLE SECTION WAS 1000mm, FOR A TOTAL HEIGHT OF 2150mm.

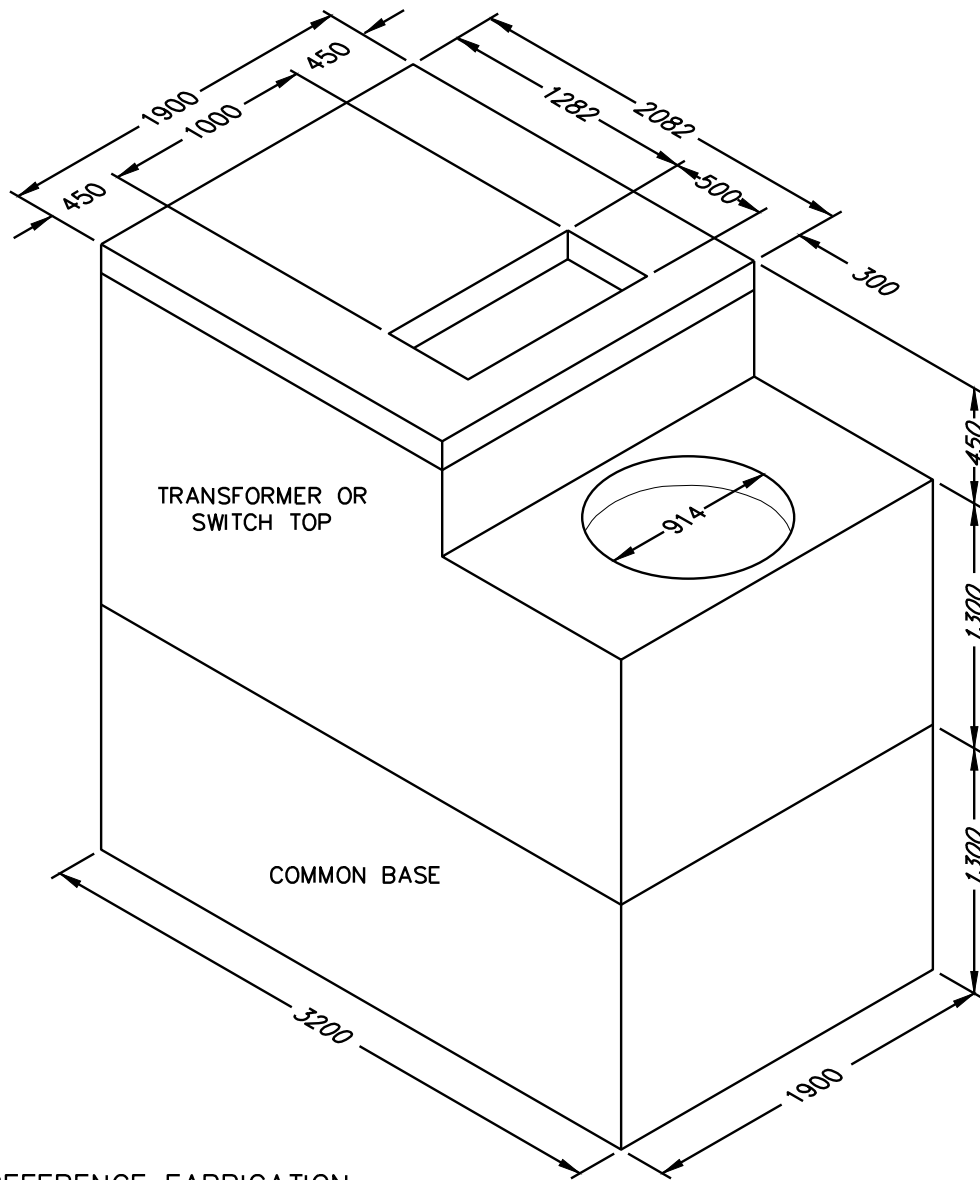
APPROXIMATE VAULT MASS
 (CODE 5-06-09, 3 PIECES)

TOP No.1	1310 kg
MIDDLE SECTION	3929 kg
BOTTOM SECTION	4440 kg
TOTAL	9679 kg

(CODE 5-06-08, ONE PIECE)

TOP No.2	1500 kg
----------	---------

SaskPower – DISTRIBUTION STANDARDS			
APPROVAL M. ERETH	DESIGN CHK. A. UHREN	DRN. TmBIRAM CHKD. 2014-06-25	URBAN 3ø VAULTS
DATE OF ISSUE	2014/11/17	DRAWING NO. B-26-75	SHEET 1 of 3
			REV. E



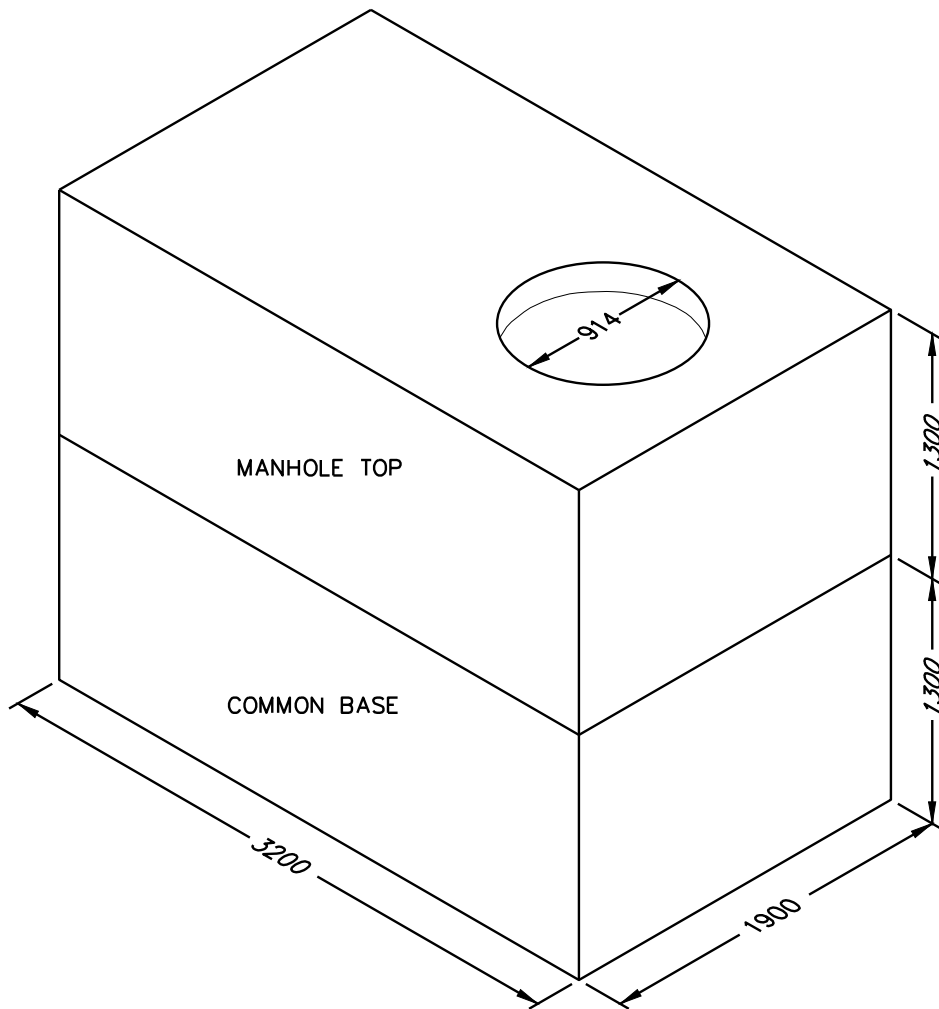
REFERENCE FABRICATION
DRAWING M2-52

FOR MAINTENANCE ONLY

SCALE: N.T.S. ALL DIMENSIONS ARE IN MILLIMETRES UNLESS OTHERWISE INDICATED

SaskPower – DISTRIBUTION STANDARDS

APPROVAL M. ERETH	DESIGN CHK. A. UHREN	DRN. DC CHKD. 2013-10-17	URBAN 3 ϕ VAULTS
DATE OF ISSUE	2014/03/21	DRAWING NO. B-26-75	
		SHEET 2 of 3	REV. A



REFERENCE FABRICATION
DRAWING M2-51

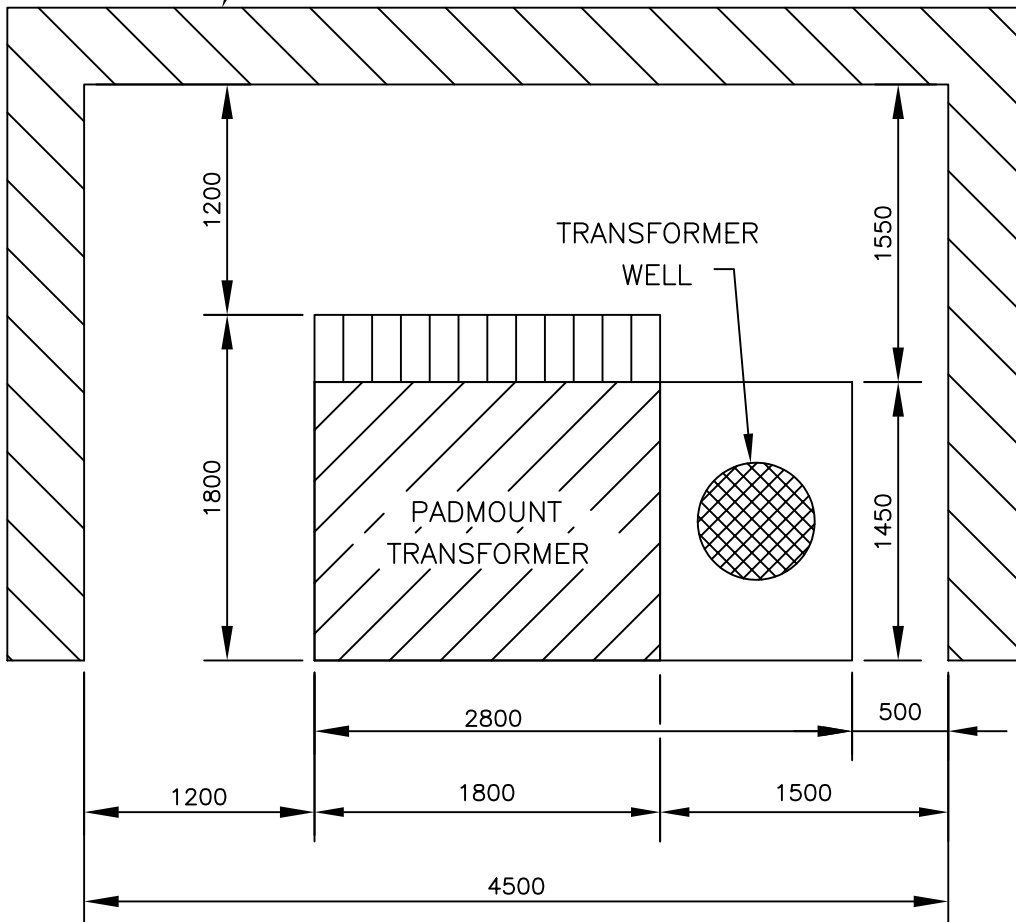
FOR MAINTENANCE ONLY

SCALE: N.T.S. ALL DIMENSIONS ARE IN MILLIMETRES UNLESS OTHERWISE INDICATED

SaskPower – DISTRIBUTION STANDARDS					
APPROVAL	DESIGN CHK.	DRN. DC	URBAN 3Ø VAULTS		
M. ERETH	A. UHREN	CHKD.			
		2013-10-17			
DATE OF ISSUE	2014/03/21	DRAWING NO.	B-26-75	SHEET 3 of 3	REV. A

BARRIER TYPE

BARRIER WALLS TO BE MINIMUM 2500
ABOVE FINISHED GRADE & BE MADE
OF NON-COMBUSTIBLE MATERIAL

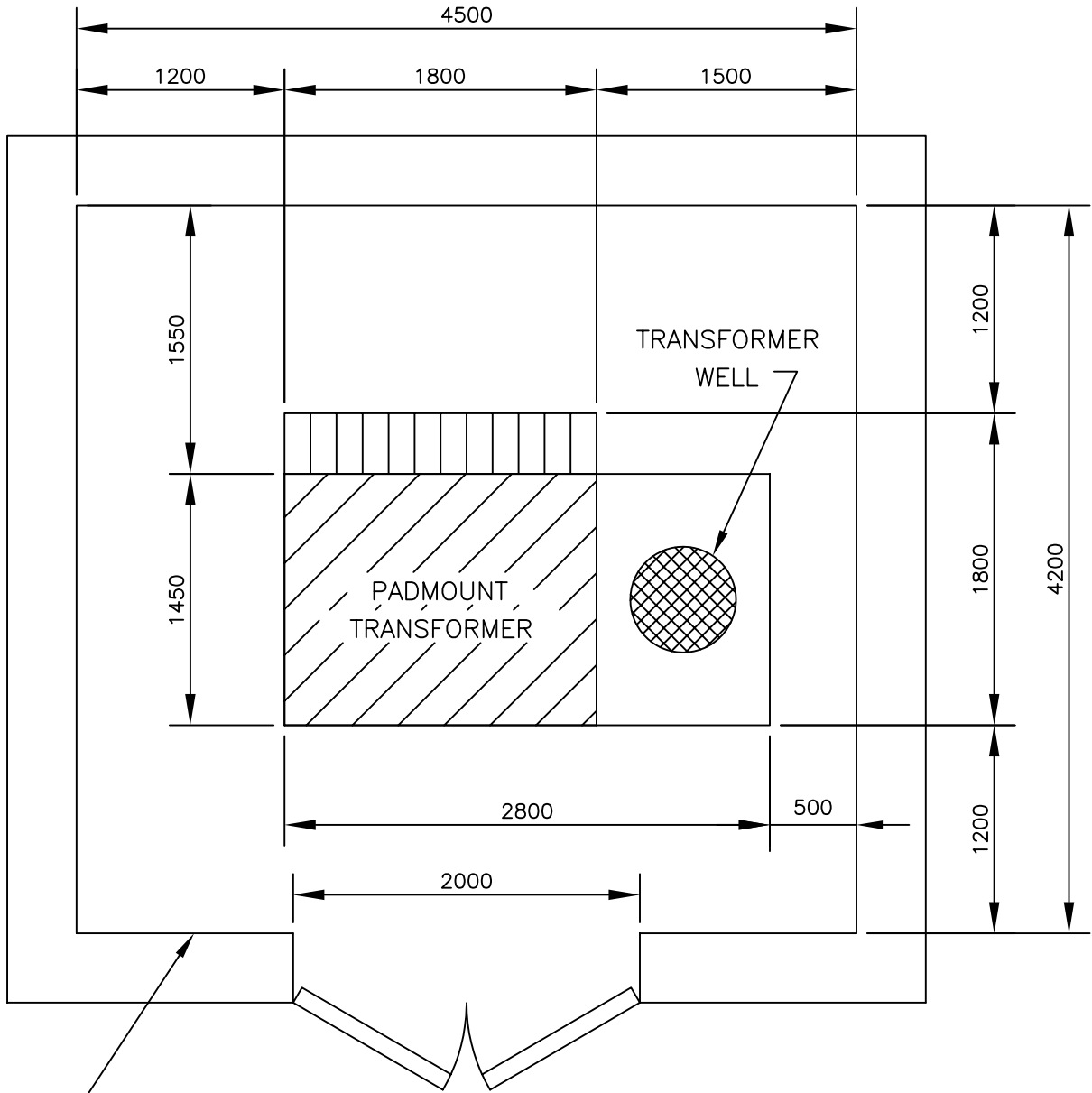


SCALE: N.T.S. ALL DIMENSIONS ARE IN MILLIMETRES UNLESS OTHERWISE INDICATED

SaskPower - DISTRIBUTION STANDARDS

DRN.	DESIGN CHK.	APPROVAL	CLEARANCE REQUIREMENTS FOR TRANSFORMER TO WALLS
CHKD.			
DATE	DATE	DATE	
DATE OF ISSUE	DRAWING NO.	B-26-76 SHEET 1 OF 3	REV. 0

ENCLOSURE TYPE



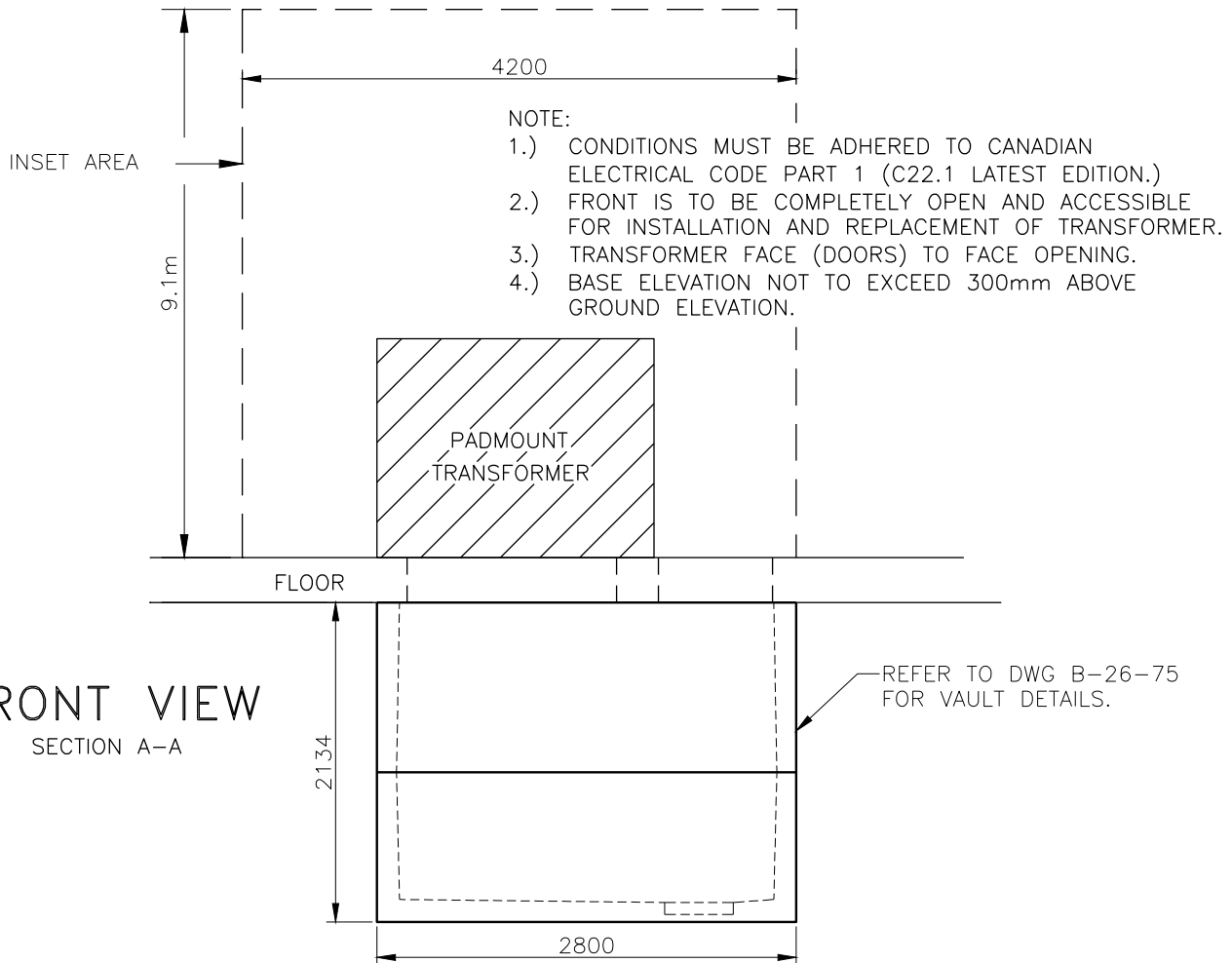
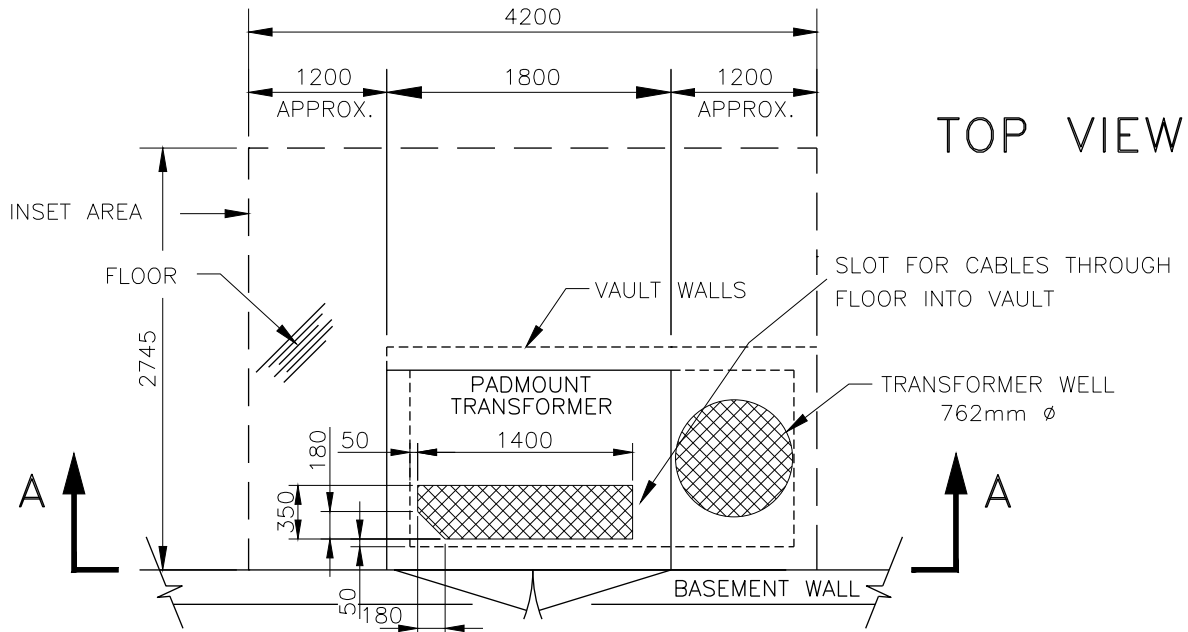
ENCLOSURE TO BE MINIMUM 2500
ABOVE FINISHED GRADE & BE MADE
OF NON-COMBUSTIBLE MATERIAL

SCALE: N.T.S. ALL DIMENSIONS ARE IN MILLIMETRES UNLESS OTHERWISE INDICATED

SaskPower - DISTRIBUTION STANDARDS

DRN.	DESIGN CHK.	APPROVAL	CLEARANCE REQUIREMENTS FOR TRANSFORMER TO WALLS
CHKD.	DATE	DATE	
DATE		DATE	
DATE OF ISSUE		DRAWING NO.	B-26-76 SHEET 2 OF 3
			REV.

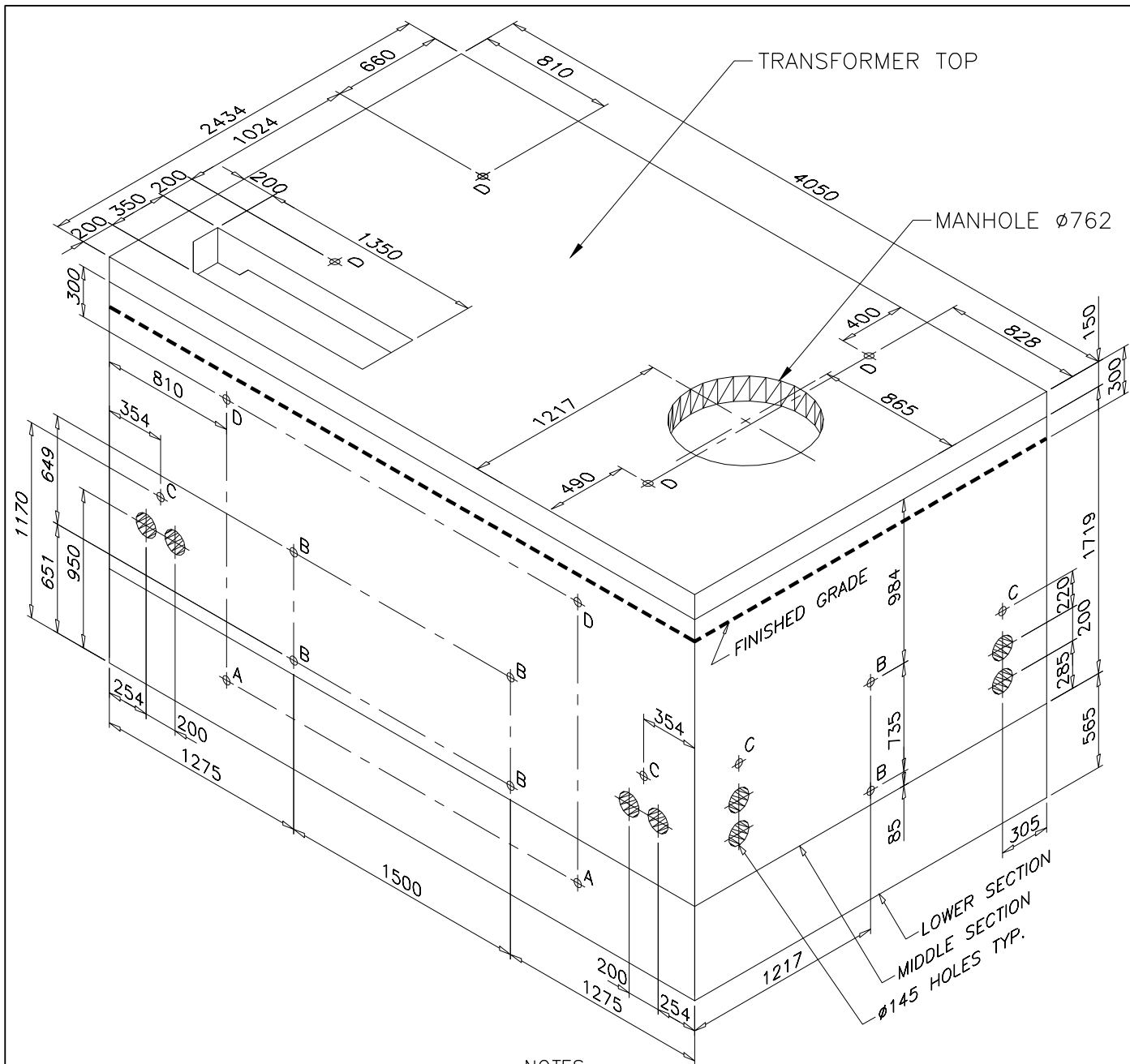
BUILDING INSET TYPE



SCALE: N.T.S. ALL DIMENSIONS ARE IN MILLIMETRES UNLESS OTHERWISE INDICATED

SaskPower – DISTRIBUTION STANDARDS

APPROVAL M. ERETH	DESIGN CHK. A. UHREN	DRN. DC CHKD. 2013-10-09	CLEARANCE REQUIREMENTS FOR TRANSFORMER TO WALL
DATE OF ISSUE	2014/03/21	DRAWING NO. B-26-76	SHEET 3 of 3
			REV. B



NOTES

APPROXIMATE VAULT MASS
(CODE 5 06 67, 2 PIECES)

MIDDLE SECTION	5925kg
BOTTOM SECTION	5160kg
TOTAL	11085kg

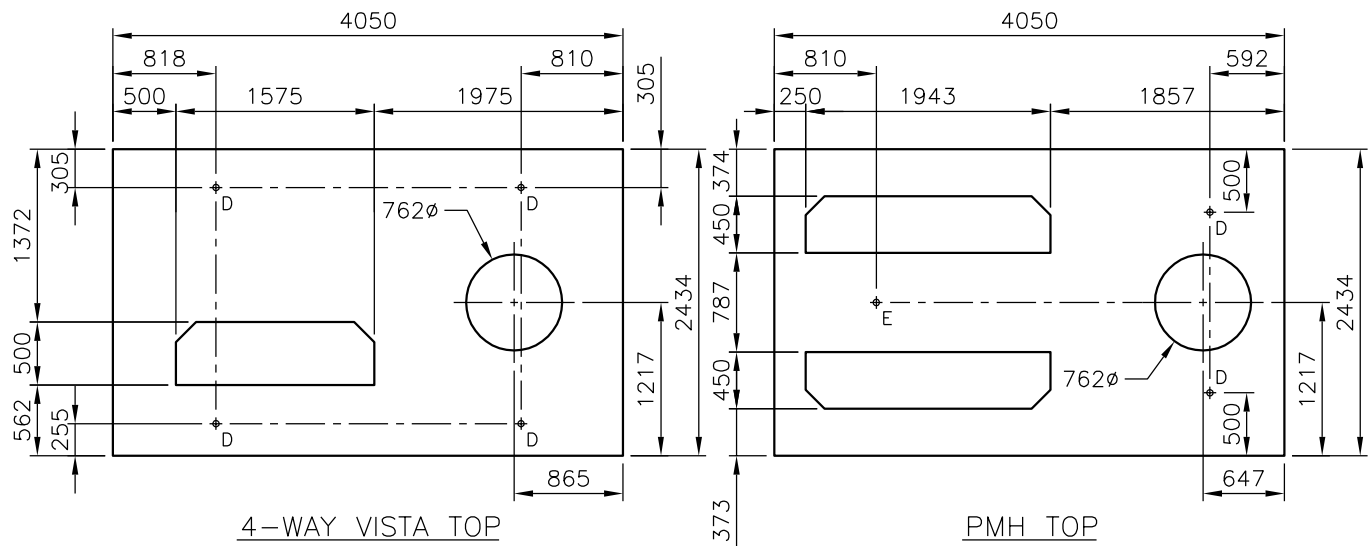
TOPS

TRANSFORMER (5 06 69)	3500kg
4-WAY VISTA (5 06 70)	3425kg
PMH (5 06 71)	3100kg
6-WAY VISTA (5 06 72)	3300kg
CABLE VAULT (5 06 73)	3500kg

1. ALL DIMENSIONS ARE IN MILLIMETERS UNLESS OTHERWISE NOTED.
2. REFERENCE FABRICATION DRAWING M2-57.
3. APPLY RAM NEK SEALANT BETWEEN BOTTOM AND MIDDLE SECTIONS.
4. A,D,E – LIFTING INSERTS
B – RACKING INSERTS
C – PULLING INSERTS
5. MAXIMUM TRANSFORMER OR SWITCH WEIGHT IS 9000kg.
6. ALTERNATE TOPS SHOWN ON SHEET 2.
7. PRIOR TO 2013, HEIGHT OF MIDDLE SECTION WAS 1421mm, FOR A TOTAL HEIGHT OF 2136mm.

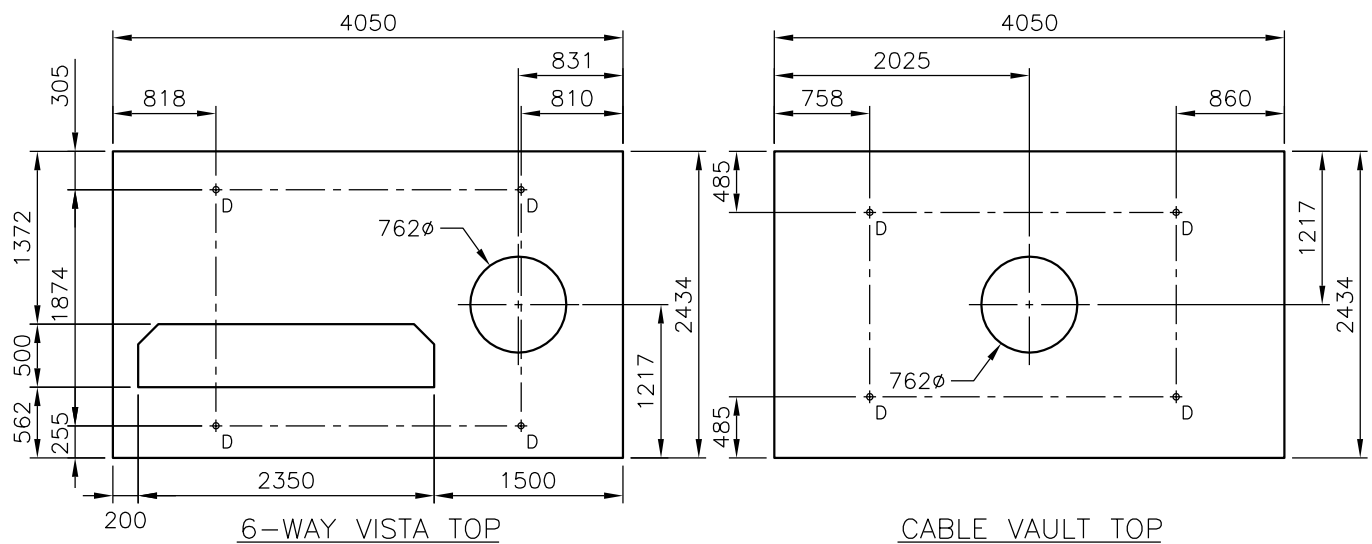
SaskPower – DISTRIBUTION STANDARDS

APPROVAL	DESIGN CHK.	DRN. A.GATZKE	URBAN 3Ø VAULTS MODULAR VAULT
M.ERETH	A.UHREN	CHKD.	
		2014-11-05	
DATE OF ISSUE	2014/11/17	DRAWING NO. B-26-77	SHEET 1 of 2 REV. A



4-WAY VISTA TOP

PMH TOP



6-WAY VISTA TOP

CABLE VAULT TOP

APPROXIMATE VAULT MASS
(CODE 5 06 67, 2 PIECES)

MIDDLE SECTION	5925kg
BOTTOM SECTION	5160kg
TOTAL	11085kg

TOPS

TRANSFORMER (5 06 69)	3500kg
4-WAY VISTA (5 06 70)	3425kg
PMH (5 06 71)	3100kg
6-WAY VISTA (5 06 72)	3300kg
CABLE VAULT (5 06 73)	3500kg

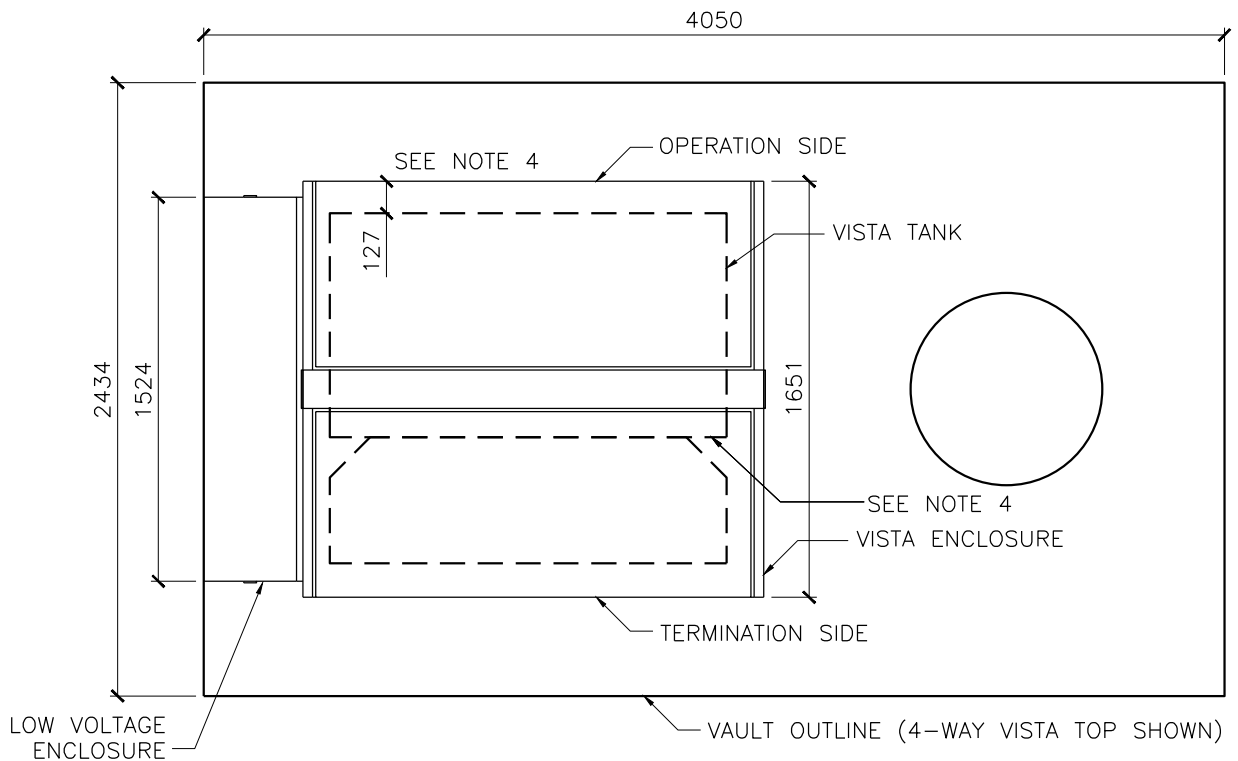
NOTES

1. ALL DIMENSIONS ARE IN MILLIMETERS UNLESS OTHERWISE NOTED.
2. REFERENCE FABRICATION DRAWING M2-57.
3. APPLY RAM NEK SEALANT BETWEEN BOTTOM AND MIDDLE SECTIONS.
4. A,D,E- LIFTING INSERTS
B - RACKING INSERTS
C - PULLING INSERTS
5. MAXIMUM TRANSFORMER OR SWITCH WEIGHT IS 9000kg.

SaskPower – DISTRIBUTION STANDARDS

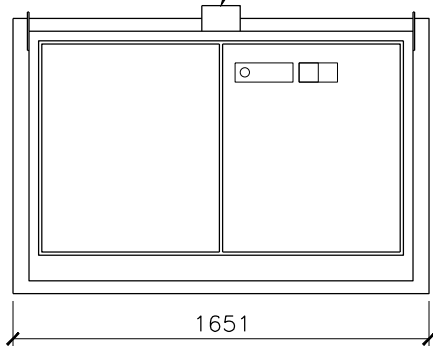
APPROVAL	DESIGN CHK.	DRN. DC
M. ERETH	A. UHREN	CHKD.
		2013-04-04
DATE OF ISSUE : 2013/08/19		DRAWING NO. B-26-77

URBAN 3 ϕ VAULTS
MODULAR VAULTS TOPS FOR
4-WAY, PMH, 6-WAY & CABLE ONLY



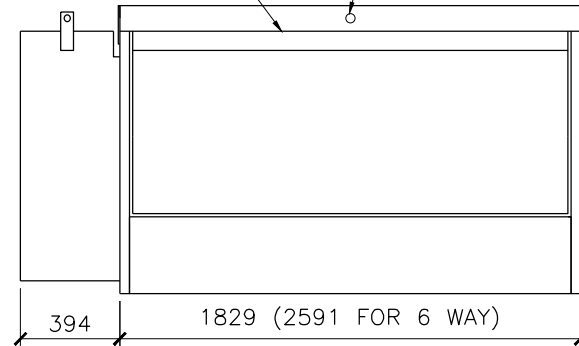
PLAN VIEW

HINGED LIFT-UP ROOF WITH RETAINER TO HOLD ROOF IN POSITION



SIDE VIEW

REMOVEABLE PANEL
PENTAHEAD BOLT LOCKING MECHANISM WITH PADLOCK PROVISION



FRONT VIEW
TERMINATION SIDE

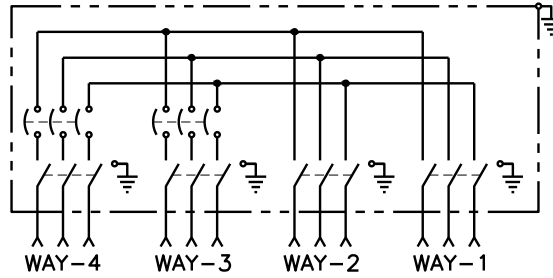
NOTE:

1. INSTALLED ON MODULAR CONCRETE VAULT 5 06 67 WITH 4-WAY VISTA SWITCH TOP 5 06 70 OR 6 WAY VISTA SWITCH TOP 5 06 72. SEE B-26-77 FOR DETAILS.
2. FOR GROUNDING SEE B-33-40 OR B-33-41.
3. MINIMUM CLEARANCES REQUIRED AROUND VISTA SWITCH: 1m ON OPERATIONS SIDE, 3m ON TERMINATION SIDE, 1m ON LOW VOLTAGE ENCLOSURE SIDE.
4. RECOMMENDED DIMENSIONS OF VISTA TANK AND ENCLOSURE IN RELATION TO EACH OTHER ARE SHOWN. EDGE OF VISTA TANK MOUNTING PADS SHOULD BE IN LINE WITH UPPER EDGE OF HOLE. AND VISTA TANK SHOULD BE CENTERED IN RELATION TO THE HOLE OPENING.

SCALE: N.T.S. ALL DIMENSIONS ARE IN MILLIMETRES UNLESS OTHERWISE INDICATED

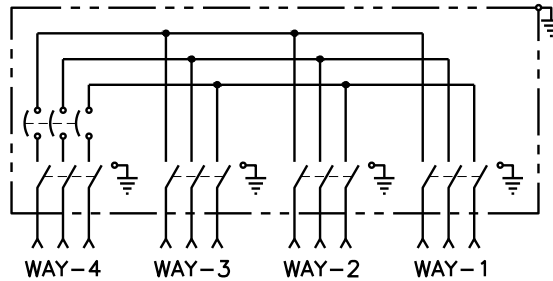
SaskPower – DISTRIBUTION STANDARDS				
APPROVAL	DESIGN CHK.	DRN. D.REDEKOPP	30 PADMOUNT VISTA SWITCH ENCLOSURE LAYOUT	
L.MOEN	A.UHREN	CHKD.		
		2015-12-01		
DATE OF ISSUE	2016/02/05	DRAWING NO. B-26-79	SHEET 1 of 5	REV. B

OPERATION SIDE



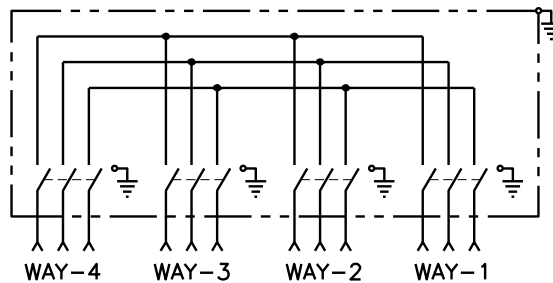
TERMINATION SIDE
MODEL 422

OPERATION SIDE



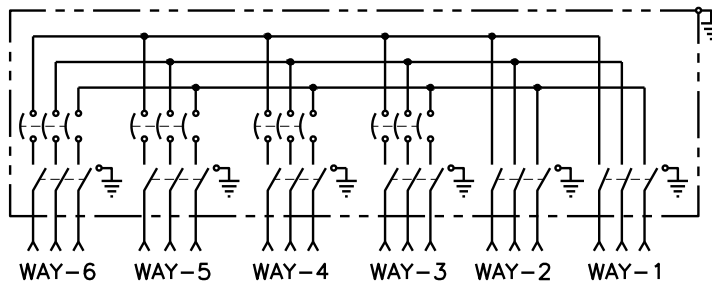
TERMINATION SIDE
MODEL 431

OPERATION SIDE



TERMINATION SIDE
MODEL 440

OPERATION SIDE



TERMINATION SIDE
MODEL 624

SaskPower – DISTRIBUTION STANDARDS

APPROVAL
M. ERETH

DESIGN CHK.
A. UHREN

DRN. DC
CHKD.

2013-07-09

3Ø PADMOUNT
VISTA SWITCH
CONNECTION DIAGRAMS

DATE OF ISSUE 2014/03/21

DRAWING NO. B-26-79

SHEET 2 of 5

REV. 0

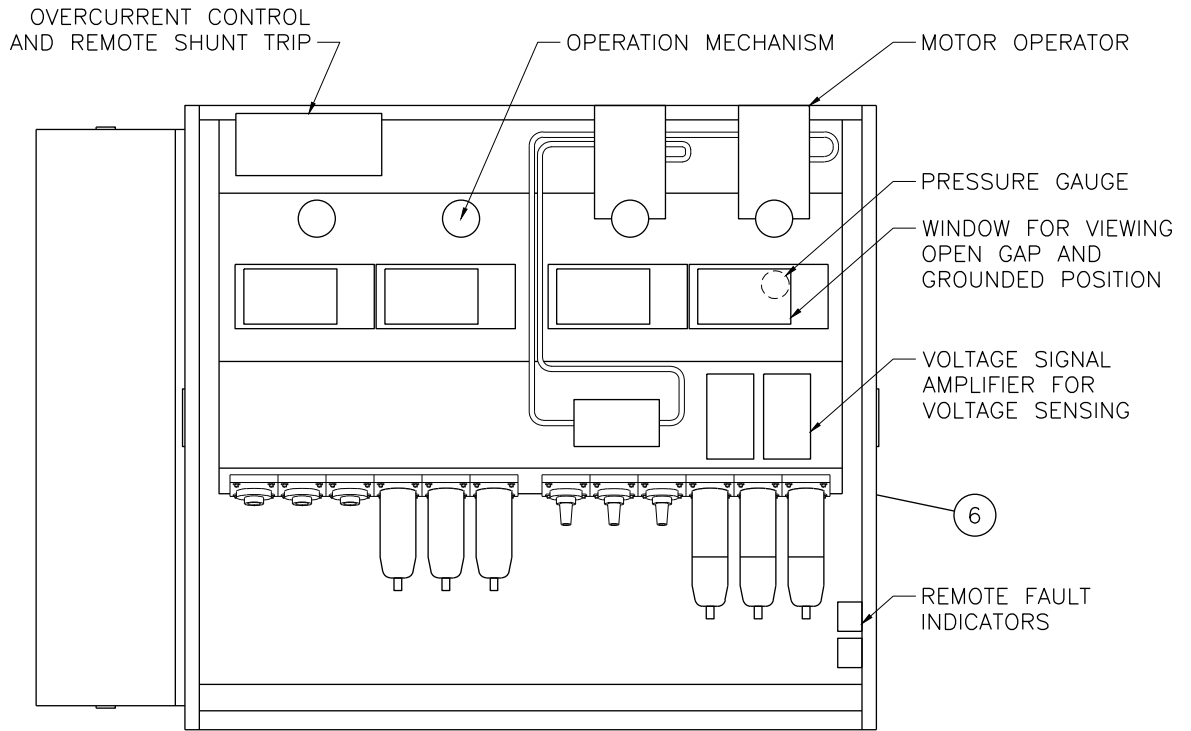
BILL OF MATERIAL

ITEM NO.	CODE NO.	QUANTITY	DESCRIPTION
1	2 65 XX	14	HYLUG
2	2 68 1X	6	CABLE ADAPTER-ELBOW 25KV 600A (SEE NOTE 2)
3	2 68 2X	6	LUG-ELBOW 25KV 600A (SEE NOTE 2)
4	2 68 52	6	HOUSING-ELBOW 25KV 600A INTEGRAL REDUCING TAP
5	2 83 20	5m	WIRE-CU 2/0 BARE (SEE NOTE 6)
6	5 05 75	-	SWITCHGEAR-PADMOUNT DEADFRONT 6 WAY VISTA – 624 1 OR 3 POLE TRIPPING
6	5 05 76	1	SWITCHGEAR-PADMOUNT DEADFRONT 4 WAY VISTA – 422 1 OR 3 POLE TRIPPING
6	5 05 77	-	SWITCHGEAR-PADMOUNT DEADFRONT 4 WAY VISTA – 422 3 POLE TRIPPING ONLY
6	5 05 78	-	SWITCHGEAR-PADMOUNT DEADFRONT 4 WAY VISTA – 431 1 OR 3 POLE TRIPPING
6	5 05 79	-	SWITCHGEAR-PADMOUNT DEADFRONT 4 WAY VISTA – 440
7	5 06 67	1	VAULT CONCRETE MODULAR BASE SECTIONS (SEE NOTE 1)
8	5 06 70	1	VAULT CONCRETE MODULAR TOP FOR VISTA (SEE NOTE 1)
8	5 06 72	-	VAULT CONCRETE MODULAR TOP FOR 6 WAY VISTA (SEE NOTE 1)
9	5 06 94	6	FAULT INDICATOR-300 AMP-REMOTE INDICATOR
10	5 06 98	2	FAULT INDICATOR-800 AMP-3 PHASE
11	5 79 12	6	INSERT-LOADBREAK BUSHING 25KV
12	5 79 14	6	CAP-BUSHING INSERT-25KV-INSULATED
13	5 XX XX	6	LOADBREAK ELBOW 25KV (SEE NOTE 3)
14	7 66 00	3	PADLOCK-HERCULES 980 SERIES
15	70 29 09	24	TYRAP-7" BLACK WEATHERABLE (SEE NOTE 5)
16	05 382 3XX	60	MARKER-CABLE-SLEEVE TYPE (SEE NOTE 5)
17	05 382 38X	12	MARKER-CABLE-SLEEVE TYPE STRIPS (SEE NOTE 5)
18	05 638 2XX	X	NUMBERS - IDENTIFICATION

NOTES LOCATED ON SHEET 5 OF 5.

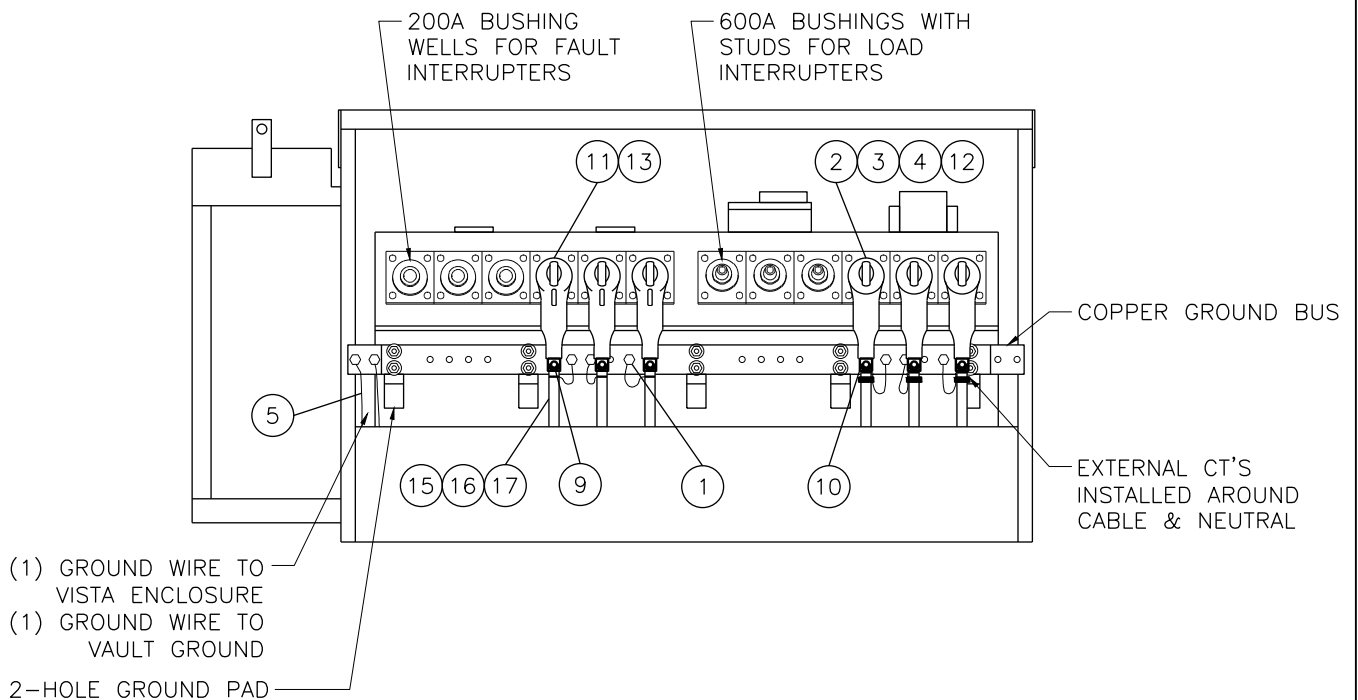
SaskPower - DISTRIBUTION STANDARDS

APPROVAL	DESIGN CHK	DRN. ARU	3Ø PADMOUNT VISTA SWITCH
L. MOEN	A. UHREN	CHKD.	
		2015-11-16	
DATE OF ISSUE:	2016/02/05	DRAWING NO: B-26-79	SHEET 3 OF 5 REV. A



OPEN TOP VIEW
(422 MODEL SHOWN)

NOTE:
NOT ALL CABLES SHOWN.



OPEN TERMINATION VIEW
(422 MODEL SHOWN)

SaskPower – DISTRIBUTION STANDARDS

APPROVAL M. ERETH	DESIGN CHK. A. UHREN	DRN. DC CHKD. 2013-07-11	3Ø PADMOUNT VISTA SWITCH INSTALLATION
DATE OF ISSUE	2014/03/21	DRAWING NO. B-26-79	
			SHEET 4 of 5
			REV. 0

BILL OF MATERIAL

ITEM NO.	CODE NO.	QUANTITY	DESCRIPTION
			<p>NOTE:</p> <ol style="list-style-type: none"> 1. SEE MODULAR VAULT DRAWING B-26-77 FOR DETAILS. 2. SEE DRAWING B-36-47 FOR SPECIFIC MATERIAL ITEM REQUIRED. 3. SEE DRAWING B-36-42 FOR SPECIFIC MATERIAL ITEM REQUIRED. 4. MATERIALS SHOWN ARE FOR 4 WAY VISTA – 422 (5 05 76 OR 5 05 77). FOR 5 05 78, ADD (3) OF ITEMS 2, 3, 4, 12 & (1) OF ITEM 10, DELETE (3) OF ITEMS 9, 11 & 13. FOR 5 05 79, ADD (6) OF ITEMS 2, 3, 4, 12 & (2) OF ITEM 10, DELETE (6) OF ITEMS 9, 11 & 13. FOR 5 05 75, ADD (6) OF ITEMS 1, 9, 11 & 13, AND USE 6 WAY VISTA VAULT TOP (5 06 72). 5. MATERIALS FOR CABLE MARKERS ARE ASSUMED TO HAVE (12) CABLES AND (5) LETTERS/NUMBERS FOR EACH. 6. TWO RUNS OF #2 CU IS ALSO AN ACCEPTABLE CONNECTION TO GROUND.

SaskPower - DISTRIBUTION STANDARDS

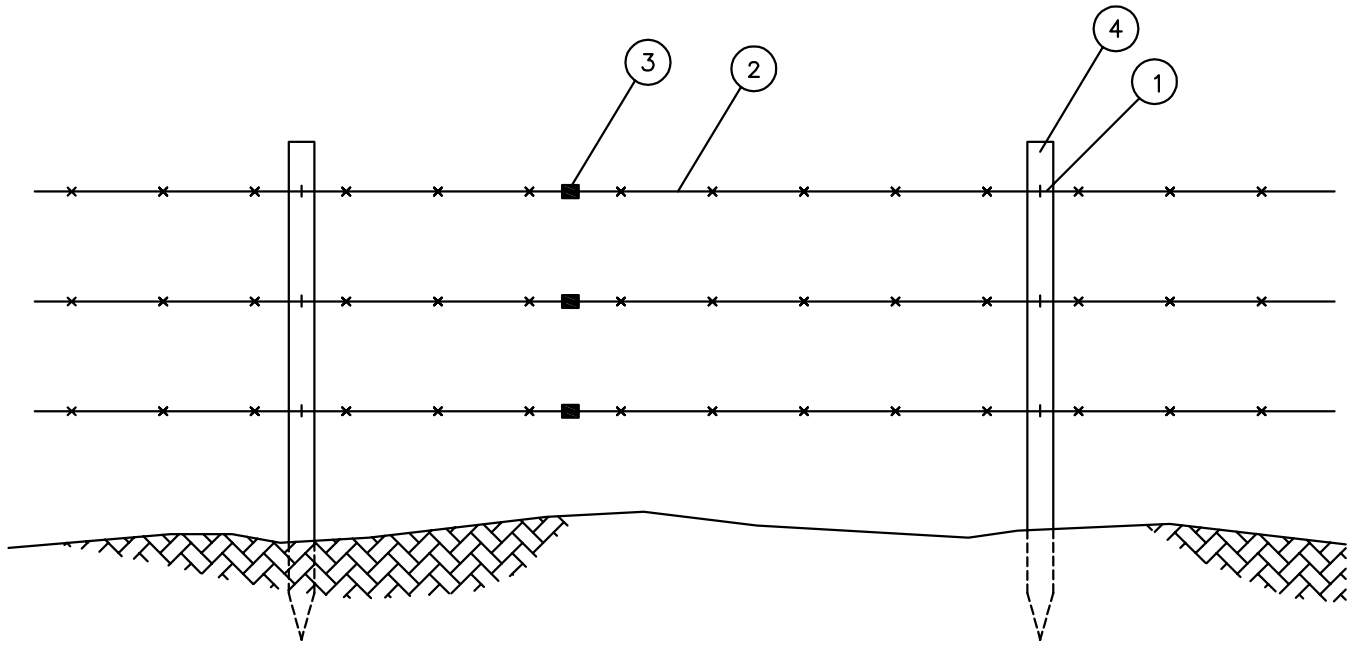
APPROVAL L. MOEN	DESIGN CHK A. UHREN	DRN. ARU CHKD.	3Ø PADMOUNT VISTA SWITCH
		2015-11-16	
DATE OF ISSUE: 2016/02/05		DRAWING NO: B-26-79	SHEET 5 OF 5 REV. A

BILL OF MATERIAL

ITEM NO.	CODE NO.	QUANTITY	DESCRIPTION
1	1-85-01	0.5 lb	STAPLES - FENCE 1 3/4"
2	8-12-15	0	BARB WIRE - 2 STR #12 STEEL
3	8-12-16	3	BARB WIRE SPLICE
4	PURCHASE LOCALLY	0	POST - FENCING

SaskPower - DISTRIBUTION STANDARDS

DRN.	DESIGN CHK.	APPROVAL	BARB WIRE FENCE REPAIR
CHKD.			
DATE	DATE	DATE	



SaskPower - DISTRIBUTION STANDARDS

DRN. JAB	DESIGN CHK.	SAFETY APP.	APPROVAL	BARB WIRE FENCE REPAIR	
CHKD.					
DATE 02-02-19	DATE	DATE			
DATE OF ISSUE	91-06-03	DRAWING NO.	B-26-80	SHEET 2 of 2	REV. 0

BILL OF MATERIAL

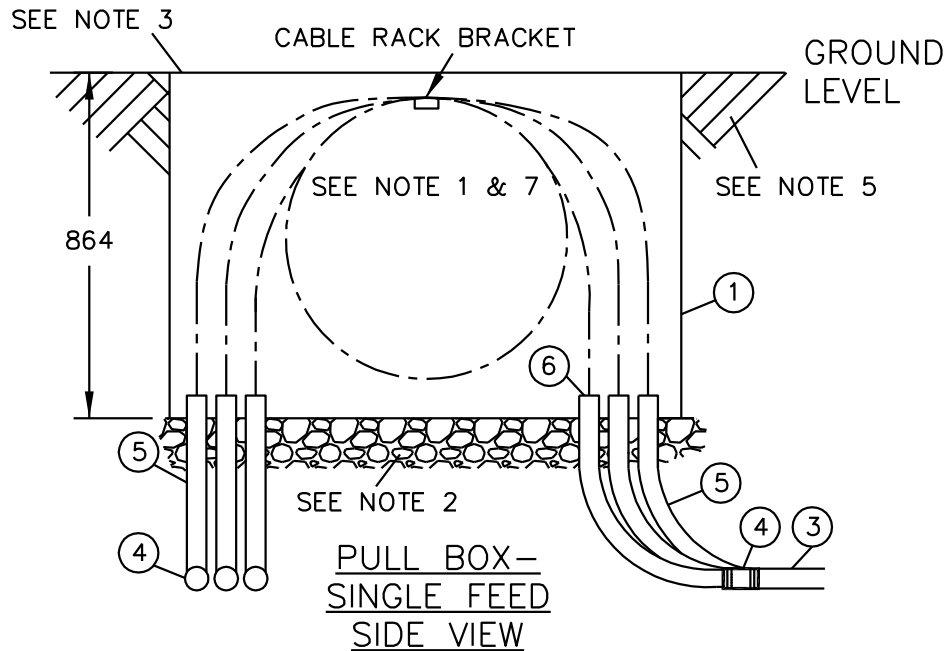
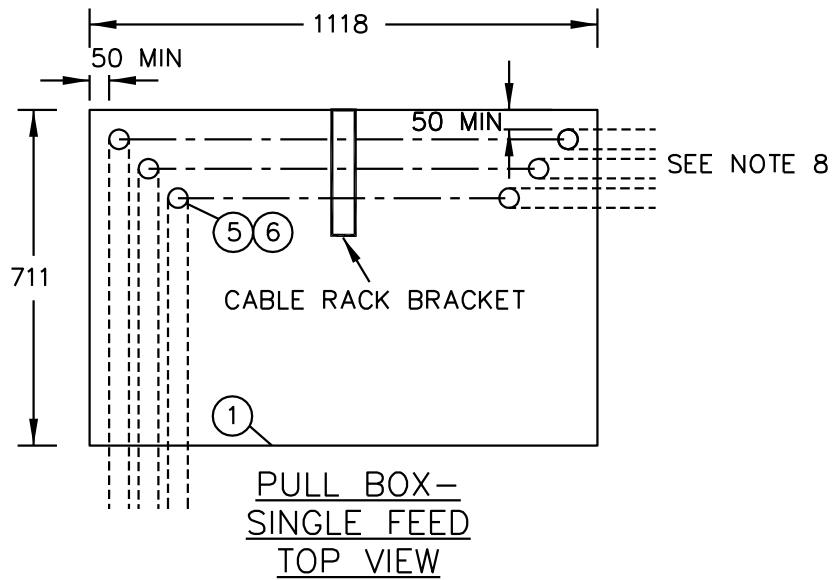
ITEM NO.	CODE NO.	QUANTITY		DESCRIPTION
		A	B	
1	5 04 90	1	-	GROUND LEVEL PULL BOX – 30" x 48" x 36"
2	5 04 91	-	1	GROUND LEVEL PULL BOX – 36" x 75" x 42"
3	70 85 02	X	X	CONDUIT, HDPE - RED - 2", SMOOTH WALL
4	70 85 42	6	12	COUPLER MECHANICAL, 2"
5	70 85 52	6	12	DUCT 90 DEGREE SWEEP, FOR 2", 12" RADIUS
6	70 85 XX	X	X	DUCT PLUG – 2" – SEE NOTE 1

NOTES:

1. REFER TO B-36-52 FOR DUCT ACCESSORIES.

SaskPower - DISTRIBUTION STANDARDS

APPROVAL	DESIGN CHK	DRN. DCD	GROUND LEVEL PULL BOX	
L. MOEN	D. DONAIS	CHKD.		
		2018-08-30		
DATE OF ISSUE	2018-09-13	DRAWING NO. B-26-81	SHEET 1 OF 3	REV. 0



NOTE:

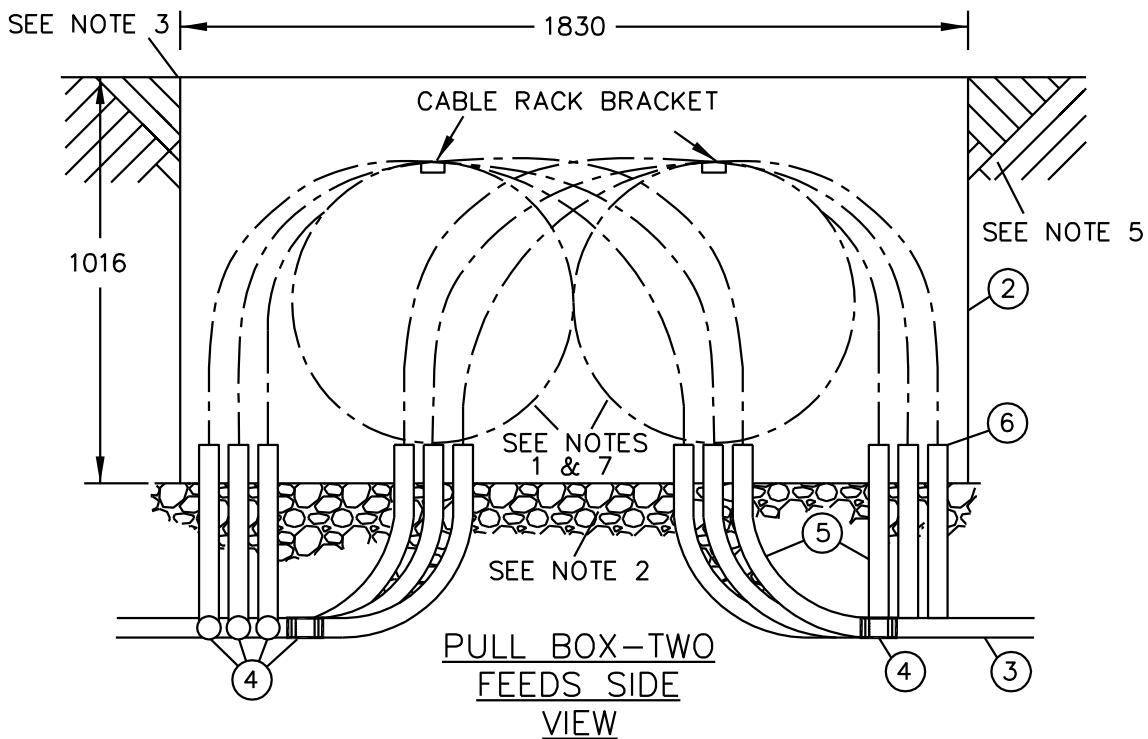
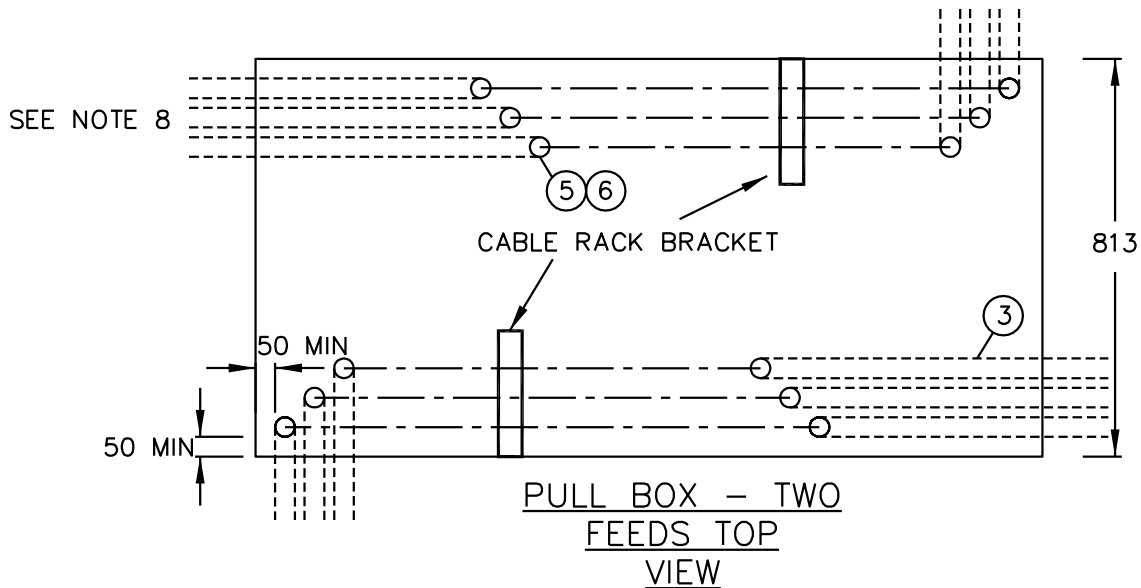
1. CABLE BENDING RADIUS SHALL NOT BE EXCEEDED. REFER TO CABLE MANUFACTURERS SPECIFICATIONS.
2. FOR DRAINAGE PURPOSES A MINIMUM OF 152mm OF CRUSHED ROCK SHALL BE USED.
3. BOX SHALL BE FLUSH WITH FINAL GRADE. MODIFICATIONS MAY BE MADE TO THE BOX TO ENSURE NO TRIPPING HAZARD SHALL BE PRESENT. REFER TO MANUFACTURERS SPECIFICATIONS.
4. CONDUITS SHALL COME UP A MINIMUM 100mm ABOVE THE CRUSHED ROCK LEVEL. EMPTY CONDUITS SHALL BE CAPPED OR PLUGGED PRIOR TO BACKFILLING.
5. BACKFILLING SHALL BE HAND TAMPED ENSURING THAT THE SOIL FILLS THE RIBBING OF THE PULL BOX. LID SHALL BE INSTALLED PRIOR TO BACKFILLING. BACKFILL MATERIAL SHALL BE NATIVE SOIL.
6. REFER TO B-30-26 FOR CABLE LABELING REQUIREMENTS.
7. CABLE SHALL BE RACKED VERTICALLY WITH A MINIMUM OF ONE FULL LOOP.
8. CONDUITS MAY RUN UNDER THE BOX GOING IN ANY DIRECTION WITH CONDUIT CONGESTION BEING THE LIMITING FACTOR. ONLY ONE OF THE POSSIBLE DIRECTIONS SHOWN FOR CLARITY.

SCALE: N.T.S. ALL DIMENSIONS ARE IN MILLIMETRES UNLESS OTHERWISE INDICATED

APPROVED FOR CONSTRUCTION

SaskPower – DISTRIBUTION STANDARDS

APPROVAL L.MOEN	DESIGN CHK. D.DONAIS	DRN.C.BAUTISTA CHKD. 2018-08-28	GROUND LEVEL PULL BOX
DATE OF ISSUE	2018-09-13	DRAWING NO. B-26-81	SHEET 2 of 3
			REV.



NOTE:

1. CABLE BENDING RADIUS SHALL NOT BE EXCEEDED. REFER TO CABLE MANUFACTURERS SPECIFICATIONS.
2. FOR DRAINAGE PURPOSES A MINIMUM OF 152mm OF CRUSHED ROCK SHALL BE USED.
3. BOX SHALL BE FLUSH WITH FINAL GRADE. MODIFICATIONS MAY BE MADE TO THE BOX TO ENSURE NO TRIPPING HAZARD SHALL BE PRESENT. REFER TO MANUFACTURERS SPECIFICATIONS.
4. CONDUITS SHALL COME UP A MINIMUM 100mm ABOVE THE CRUSHED ROCK LEVEL. EMPTY CONDUITS SHALL BE CAPPED OR PLUGGED PRIOR TO BACKFILLING.
5. BACKFILLING SHALL BE HAND TAMPED ENSURING THAT THE SOIL FILLS THE RIBBING OF THE PULL BOX. LID SHALL BE INSTALLED PRIOR TO BACKFILLING. BACKFILL MATERIAL SHALL BE NATIVE SOIL.
6. REFER TO B-30-26 FOR CABLE LABELING REQUIREMENTS.
7. CABLE SHALL BE RACKED VERTICALLY WITH A MINIMUM OF ONE FULL LOOP.
8. CONDUITS MAY RUN UNDER THE BOX GOING IN ANY DIRECTION WITH CONDUIT CONGESTION BEING THE LIMITING FACTOR. ONLY ONE OF THE POSSIBLE DIRECTIONS SHOWN FOR CLARITY.

SCALE: N.T.S. ALL DIMENSIONS ARE IN MILLIMETRES UNLESS OTHERWISE INDICATED

APPROVED FOR CONSTRUCTION

SaskPower – DISTRIBUTION STANDARDS

APPROVAL L.MOEN	DESIGN CHK. D.DONAIS	DRN.C.BAUTISTA CHKD. 2018-08-28	GROUND LEVEL PULL BOX	
DATE OF ISSUE 2018-09-13		DRAWING NO. B-26-81		
			REV.	