

METERING

DRAWING NUMBER	SHT.	DRAWING TITLE	DWG REV.	BOM REV.
B-24-00	1	GENERAL INFORMATION	A	-
B-24-10	1 - 2	RESIDENTIAL METER INSTALLATION	G / G	-
B-24-15	1	MOBILE TRAILER METER INSTALLATION	B	-
B-24-50	1 - 2	FREE STANDING METERING PEDESTAL	D	F
B-24-55	1 - 2	EXISTING FARM YARD METERING FOR O/H SERVICE	C	C
B-24-60	1 - 2	FARM YARD METERING ATTACHED TO RUD TRANSFORMER	E	G
B-24-61	1 - 2	SALVAGED METER RETROFITTED FOR RUD TRANSFORMER	B	0
B-24-65	1 - 2	FARM YARD METERING ATTACHED TO STUB	E	E
B-24-70	1 - 2	SINGLE OILFIELD SERVICE 200A	G	F
B-24-71	1 - 2	3Ø 200A OILFIELD METERING 480V & 600V	F	E
B-24-72	1 - 2	OILFIELD SITE SERVICE WITH ADDITIONAL SITE	B	B
B-24-73	1 - 2	MULTIPLE OILFIELD SERVICE 200A	D	C
B-24-74	1 - 2	CONSOLIDATED OILFIELD >200 AMP TO 800AMP	C	D
B-24-75	1 - 2	OILFIELD SPLITTER CABINET	B	C
B-24-76	1 - 2	ATTACHED PADMOUNT METERING >200 AMP	A	B
B-24-77	1 - 2	1Ø 200A OILFIELD METERING 240V & 480V	B	B
B-24-78	1 - 2	>200A OILFIELD SERVICE	B	A
B-24-80	1 - 2	THREE-PHASE 25kV PADMOUNT METERING	A	0

SaskPower - DISTRIBUTION STANDARDS

APPROVAL	DESIGN CHK	DRN. DCD	INDEX
L. MOEN	D. DONAIS	CHKD.	
		2018-06-05	
DATE OF ISSUE: 2018-06-07		DRAWING NO: B-24-INDEX	SHEET 1 of 1 REV. V

GENERAL INFORMATION

1.0 URBAN METERING

INSTALLATION OF THE METERING SOCKET, AND CONDUIT IS THE RESPONSIBILITY OF THE CUSTOMER. URBAN METERING DRAWINGS IN THIS SECTION ARE FOR REFERENCE ONLY.

ALL METERS, CURRENT AND POTENTIAL TRANSFORMER, PRIMARY METERING UNITS AND HOUSINGS ARE ORDERED THROUGH THE ELECTRIC METER REPAIR SHOP. FOR WIRING METERS, REFER TO THE REVENUE METERING MANUAL

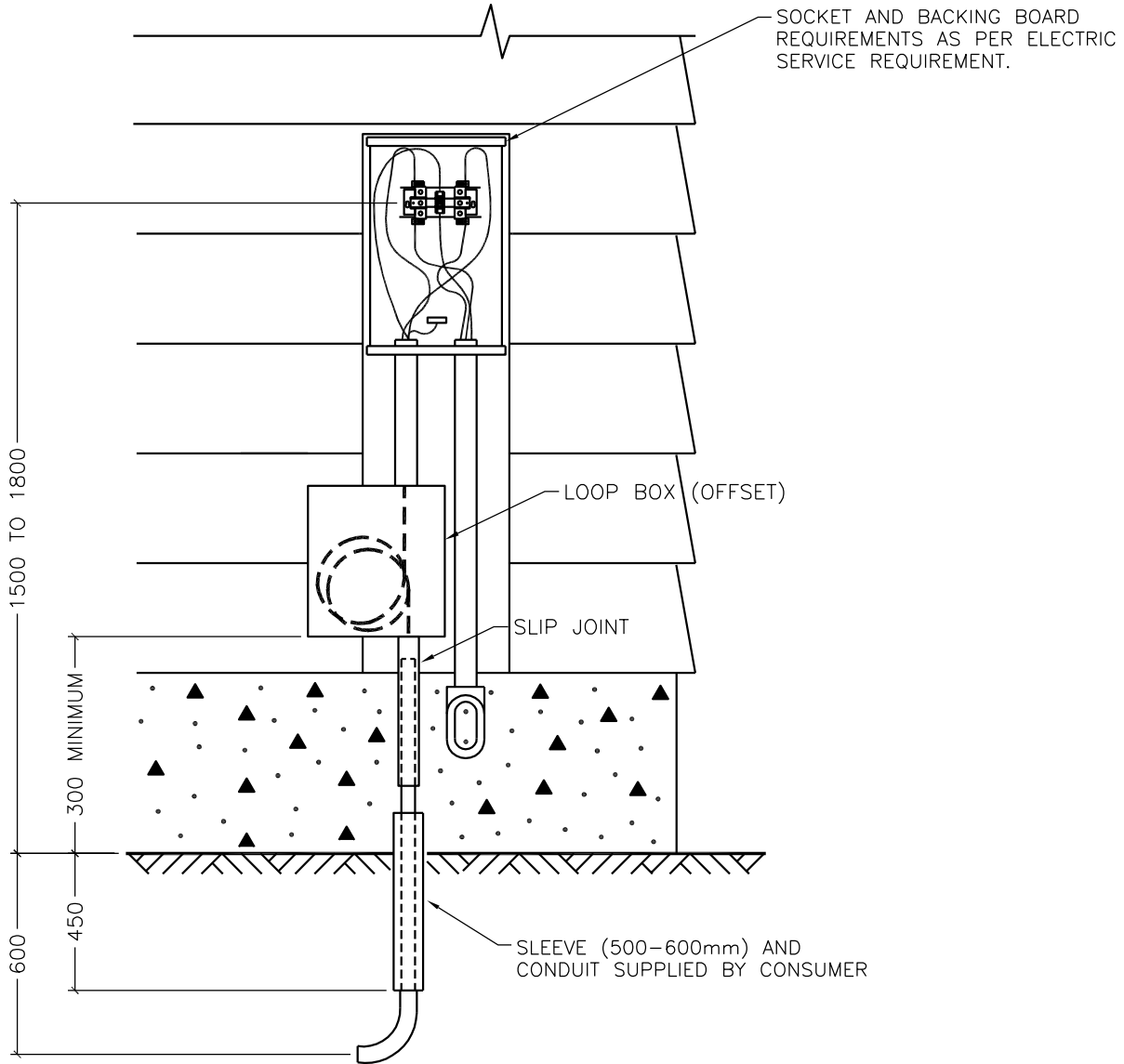
2.0 RURAL METERING

THE CURRENT POLICY FOR FARM METERING IN THE R.U.D. PROGRAM IS TO UTILIZE THE EXISTING METERING WHEN USING THE POLE MOUNTED TRANSFORMER AS SHOWN IN DRAWING A-24-12. FOR PADMOUNTED TRANSFORMER THE METERING BOX IS TO BE ATTACHED TO THE TRANSFORMER AS SHOWN IN B-24-60. IF THE METERING ASSEMBLY CANNOT BE ATTACHED TO THE PADMOUNT TRANSFORMER, IT SHALL BE ATTACHED TO A FREE STANDING PEDESTAL AS SHOWN IN DRAWING B-24-50 OR THE STUB POLE AS SHOWN IN B-24-65.

SASKATCHEWAN POWER CORP. – DISTRIBUTION ENGINEERING STANDARDS

DRN. <i>R</i>	DESIGN CHK.	SAFETY APP.	APPROVAL	GENERAL INFORMATION	
CHKD. <i>FTK</i>					
DATE 89-10-03	DATE	DATE	DATE		
DATE OF ISSUE			DRAWING NO. B-24-00	SHEET 1 of 1	REV. A

SINGLE FAMILY DWELLING



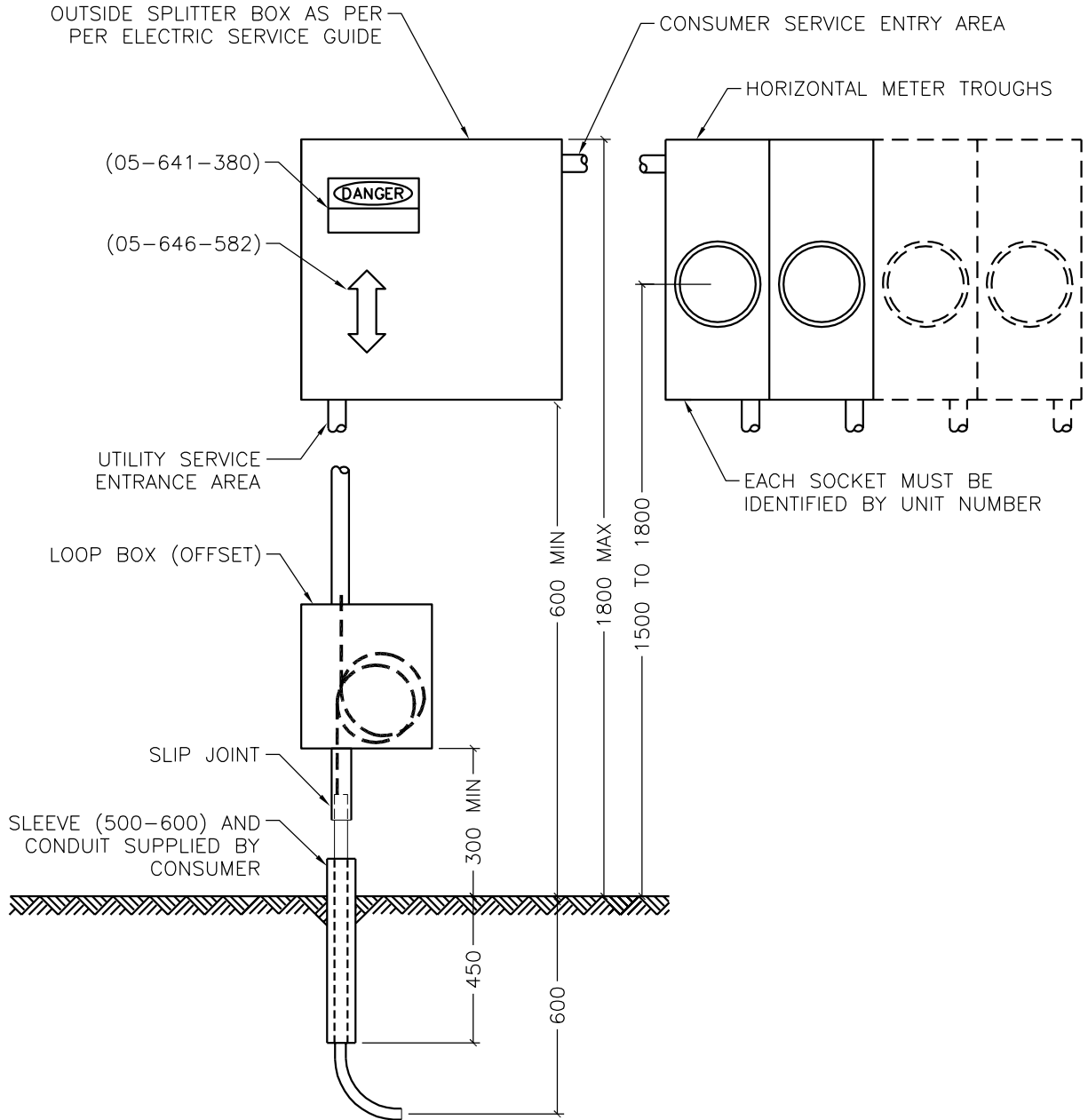
NOTES:

1. ALL DIMENSIONS ARE IN MILLIMETERS UNLESS OTHERWISE INDICATED.
2. CONDUIT SIZES – SUPPLY SERVICE
 200A MAIN 2" (53)
 400A MAIN 3" (78)
3. LEAVE AS MUCH SLACK AS POSSIBLE ON INCOMING CABLES.
4. SERVICE CONNECTION NOT TO TAKE PLACE UNLESS ELECTRICAL INSPECTION APPROVAL ISSUED.
5. URBAN RESIDENTIAL NEUTRAL CONDUCTOR NOT TO BE GROUNDED AT HOUSE. URBAN RESIDENTIAL SERVICES TO BE GROUNDED WITH THE GROUNDING CONDUCTOR AT THE METER BOX AND NOT AT THE PANEL.
6. FOR UP TO 200A SERVICE.

SaskPower – DISTRIBUTION STANDARDS

APPROVAL L.MOEN	DESIGN CHK. L.MOEN	DRN.D.REDEKOPP CHKD. 2017-10-13	RESIDENTIAL METER INSTALLATION
DATE OF ISSUE	2017-11-03	DRAWING NO. B-24-10	
		SHEET 1 of 2	REV. G

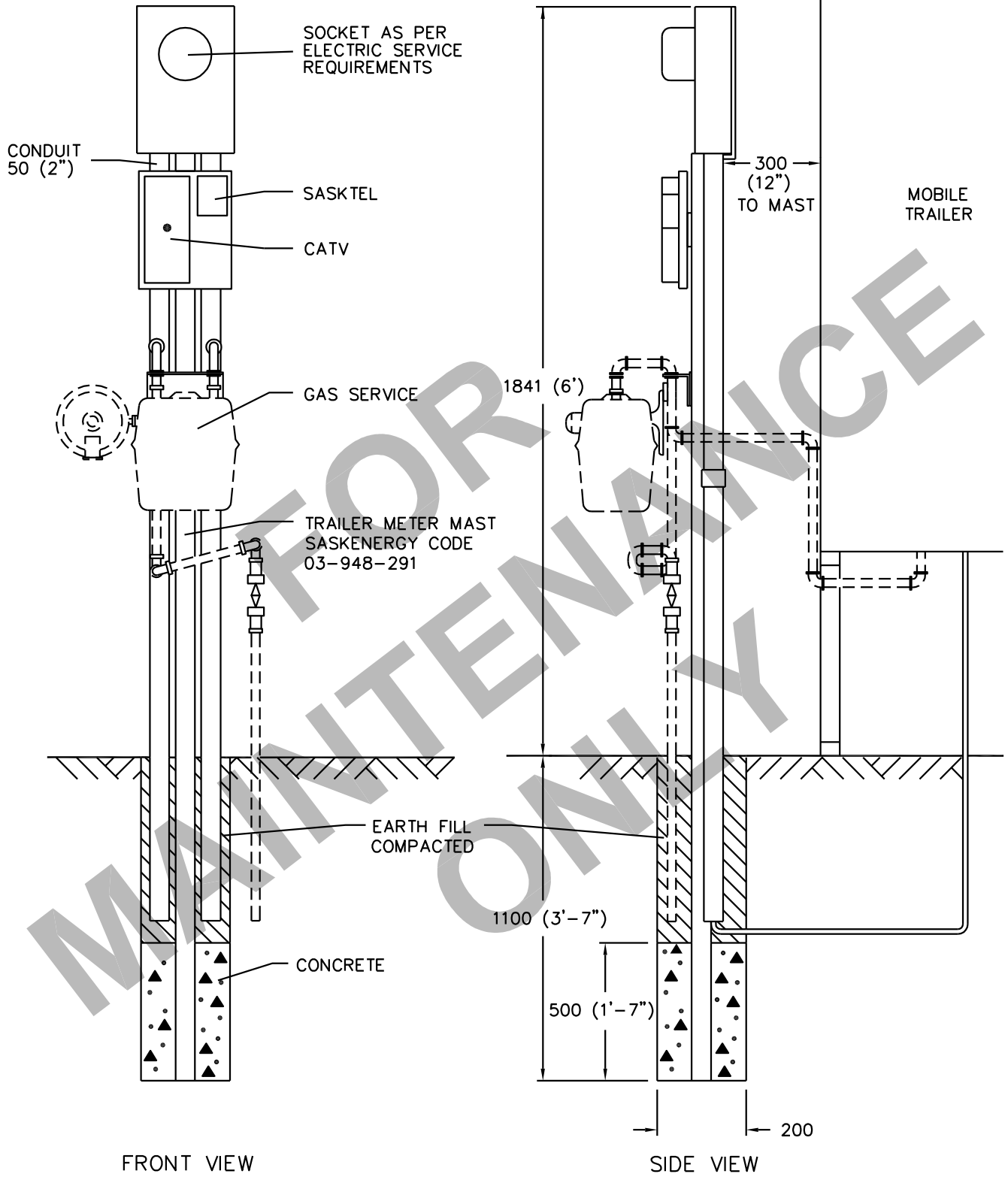
MULTIPLE SINGLE FAMILY DWELLING



NOTES:

1. ALL DIMENSIONS ARE IN MILLIMETERS UNLESS OTHERWISE INDICATED.
2. CONDUIT SIZES – SUPPLY SERVICE METER TROUGH MAIN BUS OVER 200A 4" (103).
3. LEAVE AS MUCH SLACK AS POSSIBLE ON INCOMING CABLES.
4. SPLITTER BOX MAY BE LOCATED ADJACENT OR BELOW METER TROUGHS.
5. SERVICE CONNECTION NOT TO TAKE PLACE UNLESS ELECTRICAL INSPECTION APPROVAL ISSUED.
6. URBAN RESIDENTIAL NEUTRAL CONDUCTOR NOT TO BE GROUNDED AT HOUSE. URBAN RESIDENTIAL SERVICES TO BE GROUNDED WITH THE GROUNDING CONDUCTOR AT THE METER BOX AND NOT AT THE PANEL.

SaskPower – DISTRIBUTION STANDARDS				
APPROVAL	DESIGN CHK.	DRN. D.REDEKOPP	RESIDENTIAL METER INSTALLATION	
L.MOEN	L.MOEN	CHKD.		
		2017-10-12		
DATE OF ISSUE	2017-11-03	DRAWING NO.	B-24-10	SHEET 2 of 2
				REV. G



NOTE

1. SERVICE CONNECTION NOT TO TAKE PLACE, UNLESS ELECTRICAL INSPECTIONS APPROVAL ISSUED.

SCALE: N.T.S. ALL DIMENSIONS ARE IN MILLIMETRES UNLESS OTHERWISE INDICATED

SaskPower – DISTRIBUTION STANDARDS			
APPROVAL M. ERETH	DESIGN CHK. A. UHREN	DRN. DC CHKD. 2013-02-11	MOBILE TRAILER METER INSTALLATION
DATE OF ISSUE : 2013/08/19		DRAWING NO. B-24-15	
			REV. B

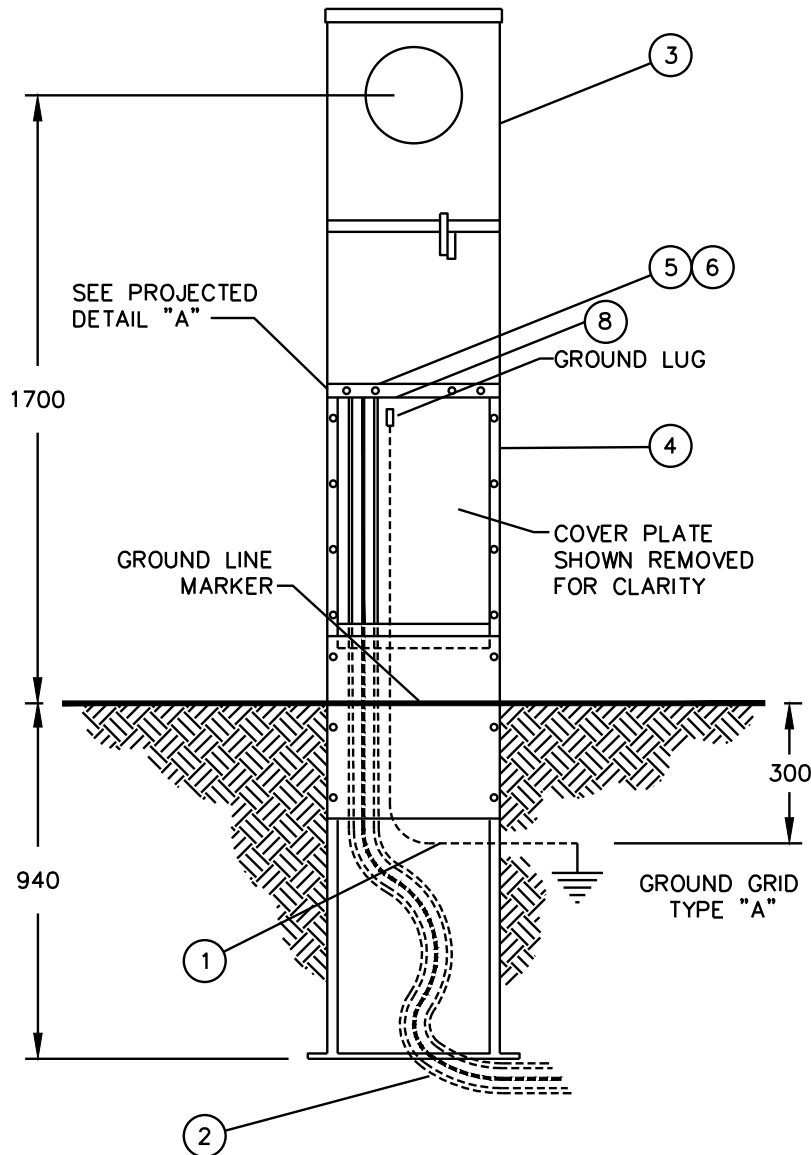
BILL OF MATERIAL

ITEM NO.	CODE NO.	QUANTITY				DESCRIPTION
		A	B	C	D	
1	2-83-04	3 m	3 m	3 m	3 m	WIRE CU - #4/7 STR
2	2-94-6X	X	X	X	X	CABLE - USC-75 (SEE NOTE 1)
3	5-03-30	1	0	0	0	FARM POWER CENTER 100 AMP BREAKER
3	5-03-32	0	1	0	0	FARM POWER CENTER 200 AMP BREAKER
3	5-03-25	0	0	1	1	FARM POWER CENTER W/STANDBY 100 AMP BREAKER
4	5-03-35	1	1	1	1	PEDESTAL - FREE STANDING METERING
5	5-08-08	1	1	1	1	CONNECTOR - NON-WATERTIGHT - 2"
6	5-08-10	2	2	2	2	WASHER - REDUCING 2 1/2" TO 2" (IF REQ'D)
7	7-95-22	0	0	0	1	BREAKER - MOLDED CASE 200 AMP
8	5-08-02	0	0	1	1	CONNECTOR - NON-WATERTIGHT - 1/2"
NOTE:						
1. SEE B-22-10 FOR VOLTAGE DROPS AND CABLE LENGTHS.						
2. - COLUMN A IS FOR A 100 AMP SERVICE.						
- COLUMN B IS FOR A 200 AMP SERVICE.						
- COLUMN C IS FOR A 100 AMP STANDBY SERVICE.						
- COLUMN D IS FOR A 200 AMP STANDBY SERVICE.						

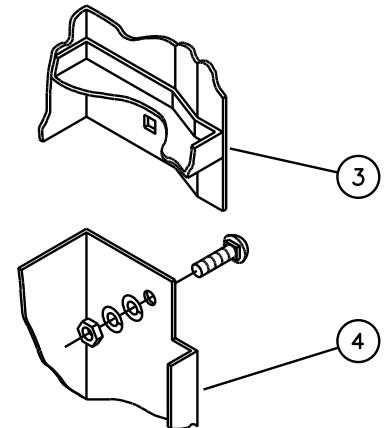
SaskPower - DISTRIBUTION STANDARDS

DRN.	DESIGN CHK.	APPROVAL	FREE STANDING METERING PEDESTAL
CHKD.			
DATE	DATE	DATE	
DATE OF ISSUE 00-07-21		DRAWING NO: B-24-50	SHEET 1 OF 2
			REV. F

INSTALLATION SPECIFICATIONS



1. INSTALL PEDESTAL IN TRENCH AT A DEPTH OF 940mm SUCH THAT GROUND LINE MARKER IS AT SURFACE LEVEL.
2. PEDESTAL TO BE INSTALLED AT 3 (\pm)1 METRES AWAY FROM PADMOUNT TRANSFORMER.
3. ALLOW FOR MAXIMUM CABLE LENGTH WHEN SNAKING SECONDARY CABLE IN BOTTOM OF PEDESTAL
4. FARM POWER CENTRE TO BE BOLTED TO TOP OF PEDESTAL.
5. SECONDARY CABLES SHALL BE SECURELY TIGHTENED IN TAKE-OFF LUGS AND IN CONNECTORS AT BASE OF FARM POWER CENTRE.
6. WHEN INSTALLED, THE PEDESTAL SHALL FACE IN A DIRECTION SUCH THAT COVER PLATES AND METER ARE READILY ACCESSIBLE.
7. GROUNDING REFER TO B-33-01



NOTE:
PEDESTAL ASS'Y FITS INSIDE
FARM POWER CENTRE.

PROJECTED DETAIL "A"

SCALE: N.T.S.

ALL DIMENSIONS ARE IN MILLIMETRES UNLESS OTHERWISE INDICATED

SaskPower – DISTRIBUTION STANDARDS

APPROVAL
M. ERETH

DESIGN CHK.
A. UHREN

DRN. DC
CHKD.

2013-02-11

FREE STANDING
METERING PEDESTAL

DATE OF ISSUE

DRAWING NO. B-24-50

SHEET 2 of 2

REV. D

BILL OF MATERIAL

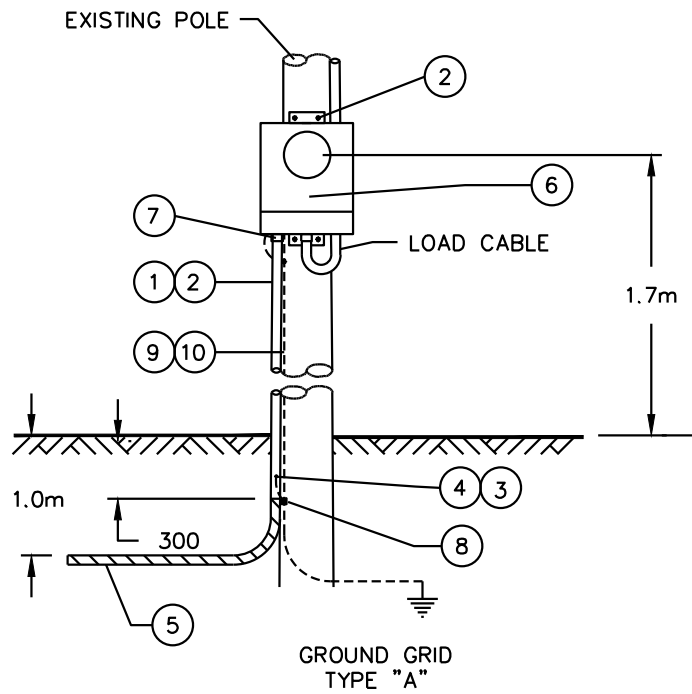
ITEM NO.	CODE NO.	QUANTITY	DESCRIPTION
1	1 34 11	1	GUARD CABLE – 2 1/2" x 8'
2	1 78 38	7	SCREW LAG – 3/8" x 4"
3	1 93 30	2	WASHER ROUND – 9/16"
4	2 83 04	1 m	WIRE CU – #4/7 STR
5	2 94 64	X	CABLE – 3 x 1/0 AL USEI90 (SEE NOTE 1)
5	2 94 66	X	CABLE – 3 x 4/0 AL USEI90 (SEE NOTE 1)
5	2 94 67	X	CABLE – 3 x 350 MCM AL USEI90 (SEE NOTE 1)
6	5 03 25	0	FARM POWER CENTER – 200 AMP WITH STANDBY (SEE NOTE 2)
6	5 03 30	0	FARM POWER CENTER – 100 AMP (SEE NOTE 2)
6	5 03 32	0	FARM POWER CENTER – 200 AMP (SEE NOTE 2)
7	5 08 47	1	CONNECTOR – CABLE – WATERTIGHT
8	5 12 06	1	CRIMPIT
9	5 11 23	2	INSULINK – 1/0 TO 1/0
9	5 11 24	2	INSULINK – 4/0 TO 1/0
10	5 09 27	1	COMPRESSION CONNECTOR – 1/0 TO #2
10	5 09 25	1	COMPRESSION CONNECTOR – 4/0 TO #2

NOTE:

1. MAXIMUM ALLOWABLE CABLE LENGTHS ARE AS PER DRAWING B-22-XX.
2. REQUIRED ONLY WHEN REPLACING "ECONOMIZER" BOX.

SaskPower - DISTRIBUTION STANDARDS

APPROVAL L. MOEN	DESIGN CHK L. MOEN	DRN. DCD CHKD.	EXISTING FARMYARD METERING FOR OVERHEAD SERVICE
DATE OF ISSUE: 2018-06-07	DRAWING NO: B-24-55	SHEET 1 OF 2	



5 03 25, 5 03 30, OR 5 03 32
METERING CABINET

NOTES:

1. WHERE EXISTING METERING IS THE OLD "ECONOMIZER" TYPE, REMOVE AND REPLACE WITH A 5 03 25, 5 03 30, or 5 03 32 CABINET.
2. IF THE POLE ON WHICH EXISTING METERING IS ATTACHED IS ROTTEN OR DAMAGED, REPLACE WITH A GOOD POLE. TRANSFER ALL METERING EQUIPMENT, CUSTOMER'S SECONDARY SERVICE CONNECTIONS, AND YARD LIGHTS (IF PRESENT) TO THE NEW POLE.
3. SaskPOWER SHALL SUPPLY AND INSTALL LINE CABLE FROM THE TRANSFORMER TO EXISTING METERING.
4. WHEN USING USC75/USE190 CABLE, LEAVE A SUFFICIENT LENGTH OF THE EXISTING CABLE, TO CONNECT THE CABLES TOGETHER UNDER THE CABLE GUARD, OR IN THE CASE OF 350 MCM A SPLITTER IS REQUIRED.
5. ALLOW FOR AN EXTRA 3 METERS OF SECONDARY CABLE TO BE LEFT IN THE TRANSFORMER WELL.
6. BOND STEEL CABLE GUARD TO GROUND WIRE.
7. IF CUSTOMER DESIRES UNDERGROUND SERVICE, REFER TO B-24-50. SASKPOWER WILL NOT BE RESPONSIBLE FOR THIS SERVICE CABLE UPGRADE.

SCALE: N.T.S. ALL DIMENSIONS ARE IN MILLIMETRES UNLESS OTHERWISE INDICATED

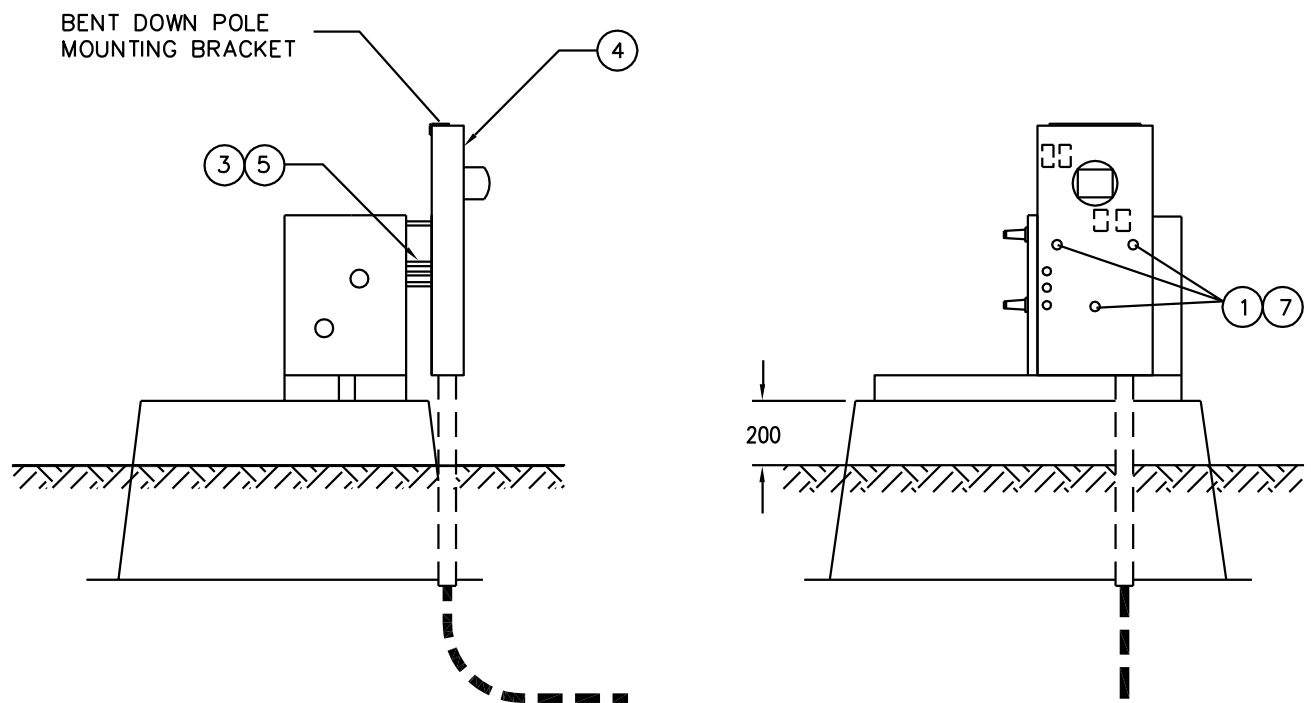
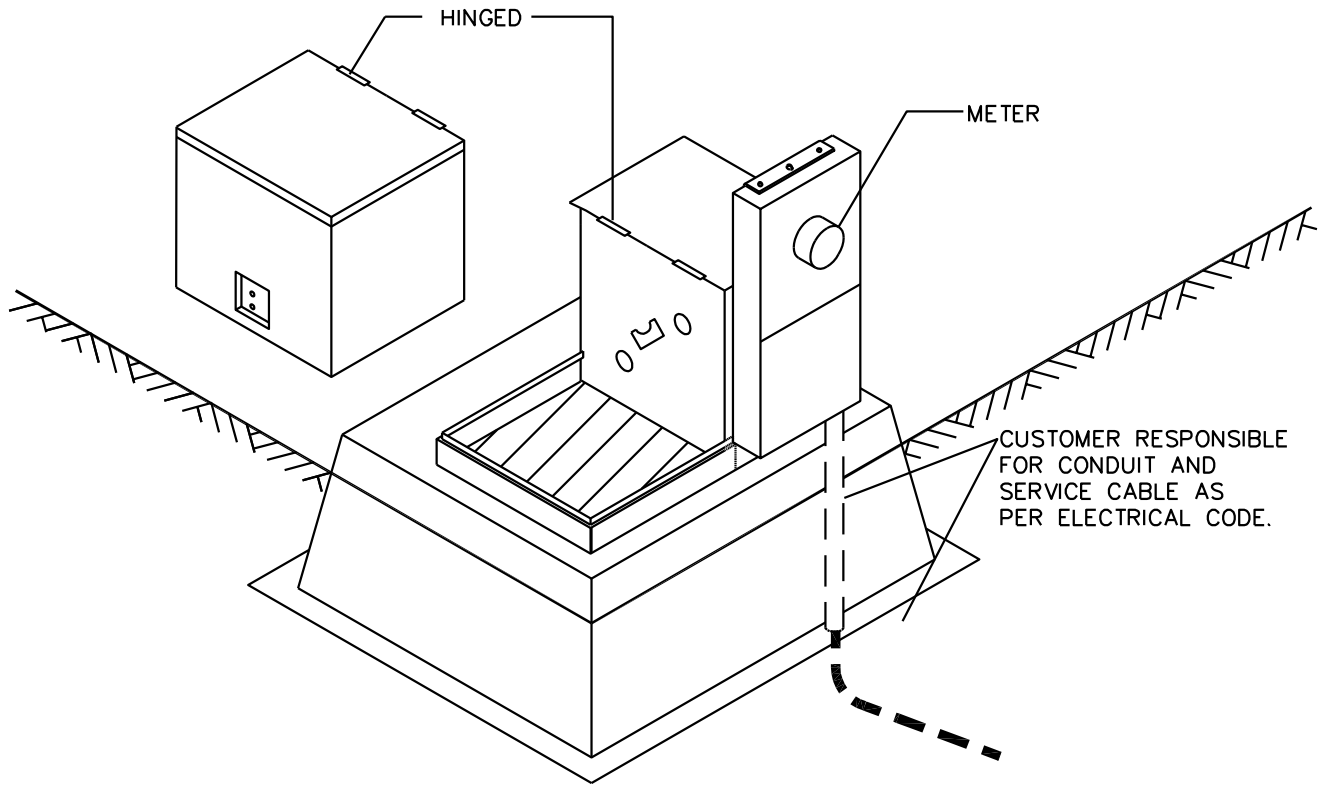
SaskPower – DISTRIBUTION STANDARDS			
APPROVAL L.MOEN	DESIGN CHK. L.MOEN	DRN. C.BAUTISTA CHKD. 2018-06-04	EXISTING FARM YARD METERING FOR OVERHEAD SERVICE
DATE OF ISSUE	2018-06-07	DRAWING NO. B-24-55	
		SHEET 2 of 2	REV. C

BILL OF MATERIAL

ITEM NO.	CODE NO.	QUANTITY				DESCRIPTION
		A	B	C	D	
1	1 93 33	3	3	3	3	WASHER ROUND 11/16"
2	2 83 04	1 m	1 m	1 m	1 m	WIRE CU-#4/7 STR
3	2 94 64	1.5m	1.5m	1.5m	1.5m	CABLE-1/0 TRIPLEX WITH FULL SIZE NEUTRAL
4	5 03 25	0	0	1	1	FARM POWER CENTER W/STANDBY 100 AMP BREAKER
4	5 03 30	1	0	0	0	FARM POWER CENTER 100 AMP BREAKER
4	5 03 32	0	1	0	0	FARM POWER CENTER 200 AMP BREAKER
5	5 07 00	1	1	1	1	KIT MOUNTING – FARM POWER CENTER
6	7 95 22	0	0	0	1	BREAKER – MOLDED CASE 200 AMP
7	70 08 16	3	3	3	3	BOLT MACHINE 5/8" X 1 1/4" CADMIUM PLATED
<p>NOTE:</p> <p>1. COLUMN A IS FOR A 100 AMP SERVICE. COLUMN B IS FOR A 200 AMP SERVICE. COLUMN C IS FOR A 100 AMP STANDBY SERVICE. COLUMN D IS FOR A 200 AMP STANDBY SERVICE.</p>						

SaskPower - DISTRIBUTION STANDARDS

APPROVAL	DESIGN CHK	DRN. ARU	FARMYARD METERING ATTACHED TO RUD TRANSFORMER
L. MOEN	A. UHREN	CHKD.	
		2016-12-28	
DATE OF ISSUE: 2017/05/03		DRAWING NO: B-24-60	SHEET 1 OF 2 REV. G



SCALE: N.T.S. ALL DIMENSIONS ARE IN MILLIMETRES UNLESS OTHERWISE INDICATED

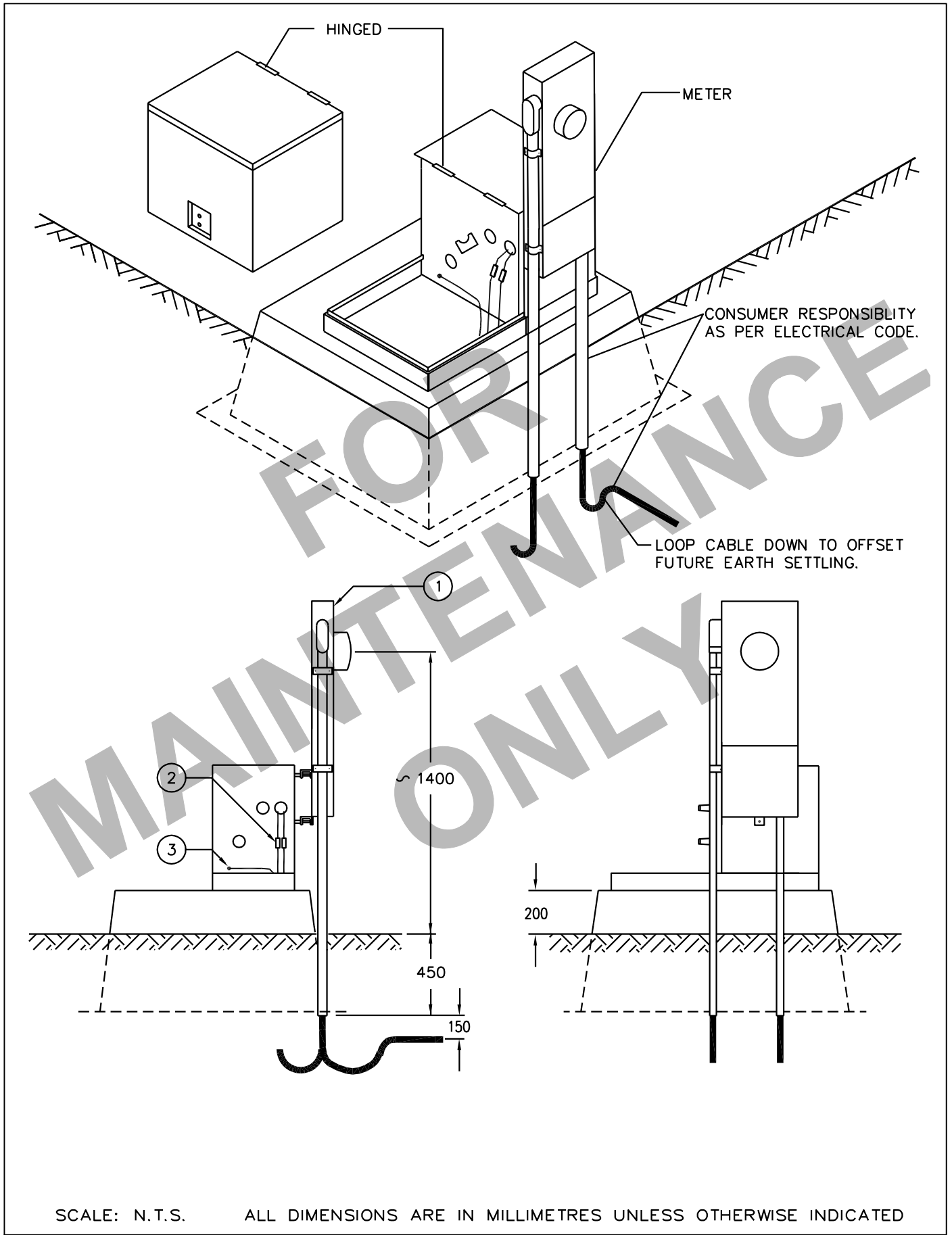
SaskPower – DISTRIBUTION STANDARDS				
APPROVAL L.MOEN	DESIGN CHK. A.UHREN	DRN. Y.HAO CHKD. A.UHREN	FARM YARD METERING	
		2016-12-22	ATTACHED TO RUD TRANSFORMER	
DATE OF ISSUE	2017/05/03	DRAWING NO. B-24-60	SHEET 2 of 2	REV. E

BILL OF MATERIAL

ITEM NO.	CODE NO.	QUANTITY	DESCRIPTION
1	5-03-21	1	FARM POWER CENTRE - RUD RETROFIT
2	5-11-23	2	INSULINK - 1/0 TO 1/0
3	5-09-27	1	COMPRESSION CONNECTOR - 1/0 TO #4 (FOR 2-94-64)
3	5-12-08	1	CRIMPIT-CU - #2 TO #4 (FOR 2-92-87)

SaskPower - DISTRIBUTION STANDARDS

DRN.	DESIGN CHK.	APPROVAL	SALVAGED METER RETROFITTED FOR RUD TRANSFORMER	
CHKD.	DATE	DATE		
DATE				
DATE OF ISSUE 93-10-12		DRAWING NO: B-24-61	SHEET 1 OF 2	REV. 0



SCALE: N.T.S. ALL DIMENSIONS ARE IN MILLIMETRES UNLESS OTHERWISE INDICATED

SaskPower – DISTRIBUTION STANDARDS			
APPROVAL L.MOEN	DESIGN CHK. P.C.MURESAN	DRN. E.GOTANA CHKD. 2018-02-15	SALVAGE METER RETROFITTED FOR RUD TRANSFORMER
DATE OF ISSUE	2018-02-20	DRAWING NO. B-24-61	SHEET 2 of 2
			REV. B

BILL OF MATERIAL

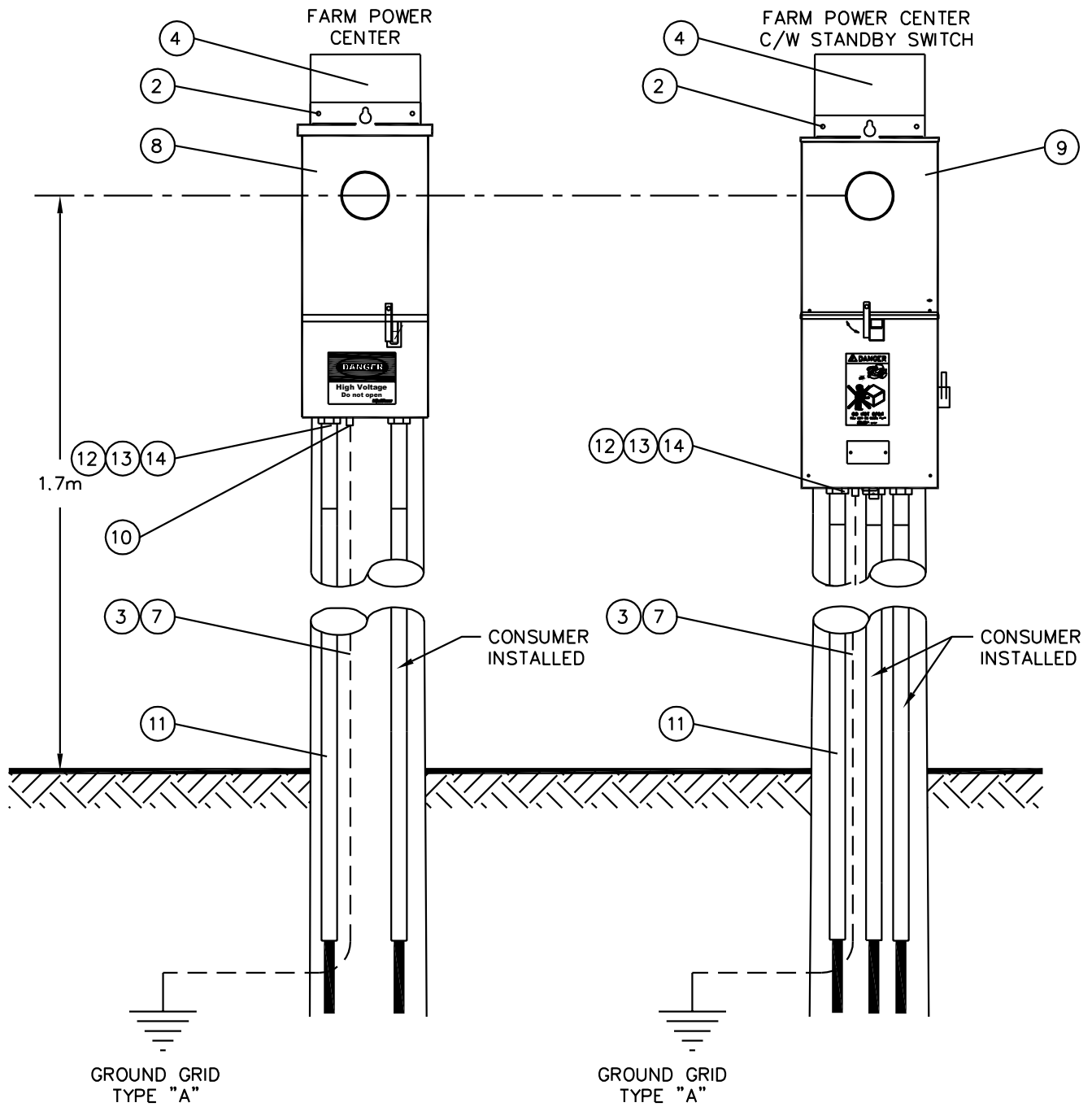
ITEM NO.	CODE NO.	QUANTITY		DESCRIPTION
		A	B	
1	1 13 14	1	1	BOLT – MACHINE – 5/8" x 14"
2	1 78 38	3	3	SCREW LAG 3/8" x 4"
3	1 85 01	0.1lb	0.1 lb	STAPLES FENCE 1 3/4"
4	1 87 11	1	1	STUB – X/11'
5	1 93 27	1	1	LOCKWASHER – DOUBLE COIL SPRING TYPE – 5/8"
6	1 93 42	1	1	WASHER – SQUARE – 2 1/4" x 13/16"
7	2 83 04	2 m	2 m	WIRE CU #4/7 STR
8	5 03 3X	1	0	FARM POWER CENTRE C/W SPLITTER
9	5 03 25	0	1	FARM POWER CENTRE 200A C/W STANDBY
10	5 08 02	1	1	CONNECTOR – STRAIN RELIEF – 1/2"
11	70 42 21	0.5	0.5	CONDUIT – 2 1/2" PVC – 10'
12	70 42 25	1	1	LOCKNUT – 2 1/2" STEEL
13	70 42 27	1	1	TERMINAL ADAPTER – 2 1/2" PVC
14	70 43 50	0.25	0	CEMENT FOR PVC QUART

NOTE:

- 1. COLUMN A IS FOR A FARM POWER CENTRE WITH SPLITTER. COLUMN B IS FOR A FARM POWER CENTRE WITH STANDBY.**

SaskPower DISTRIBUTION STANDARDS

DRN.	DESIGN CHK.	APPROVAL	FARMYARD METERING ATTACHED TO POLE
CHKD.			
DATE	DATE	DATE	
DATE OF ISSUE 2005/03/21		DRAWING NO: B-24-65	SHEET 1 of 2 REV. E



Sask Power - DISTRIBUTION STANDARDS

DRN. R.JL	DESIGN CHK.	SAFETY APP.	APPROVAL	FARM YARD METERING ATTACHED TO STUB
CHKD.				
DATE	DATE	DATE	DATE	
DATE OF ISSUE: 2005/03/21			DRAWING NO. B-24-65	SHEET 2 of 2
REV. E				

BILL OF MATERIAL

ITEM NO.	CODE NO.	QUANTITY		DESCRIPTION
		A	B	
1	70 42 21	5'	-	CONDUIT - 2 1/2" PVC
1	70 45 04	-	5'	CONDUIT - 4" PVC
2	70 42 25	1	-	LOCKNUT - 2 1/2" STEEL
2	70 44 84	-	1	LOCKNUT - 4" STEEL
3	70 42 27	1	-	TERMINAL ADAPTER - 2 1/2" PVC
3	70 46 08	-	1	TERMINAL ADAPTER - 4" PVC
4	70 43 50	0.1	0.1	CEMENT FOR PVC - QUART

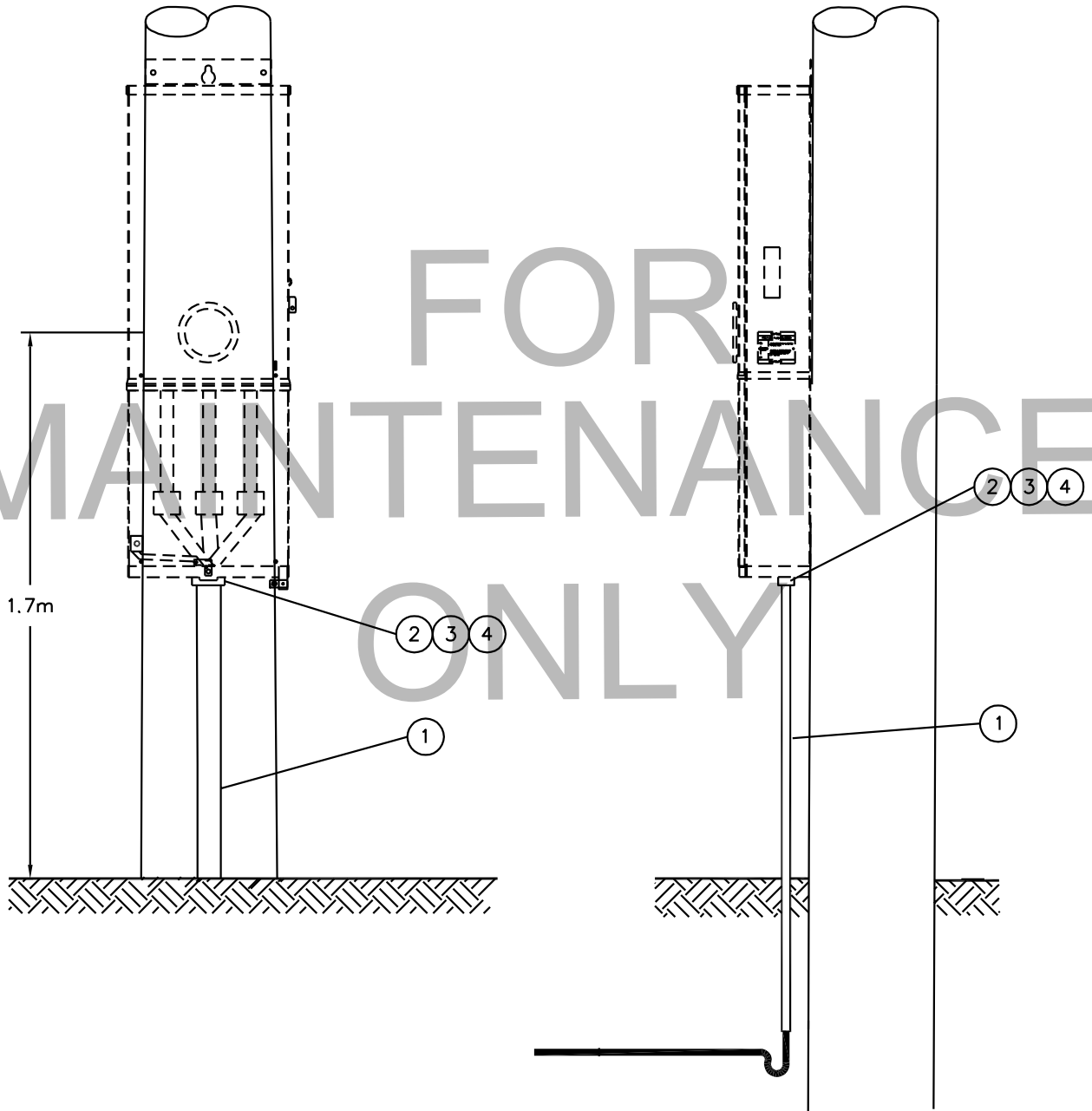
NOTE:

1. COLUMN A IS FOR ONE CONDUCTOR PER PHASE.
2. COLUMN B IS FOR TWO CONDUCTORS PER PHASE.

SaskPower DISTRIBUTION STANDARDS

DRN.	DESIGN CHK.	APPROVAL	SINGLE OILFIELD SERVICE 200A
CHKD.		DATE	
DATE	DATE	DATE	
DATE OF ISSUE 2005/03/21		DRAWING NO. B-24-70	SHEET 1 of 2
			REV. F

FOR
MAINTENANCE
ONLY



SaskPower – DISTRIBUTION STANDARDS

APPROVAL

DESIGN CHK.

DRN. S.KOZEY
CHKD.

SINGLE OILFIELD SERVICE 200A

DATE OF ISSUE: 2011-04-01

DRAWING NO. B-24-70

SHEET 2 of 2

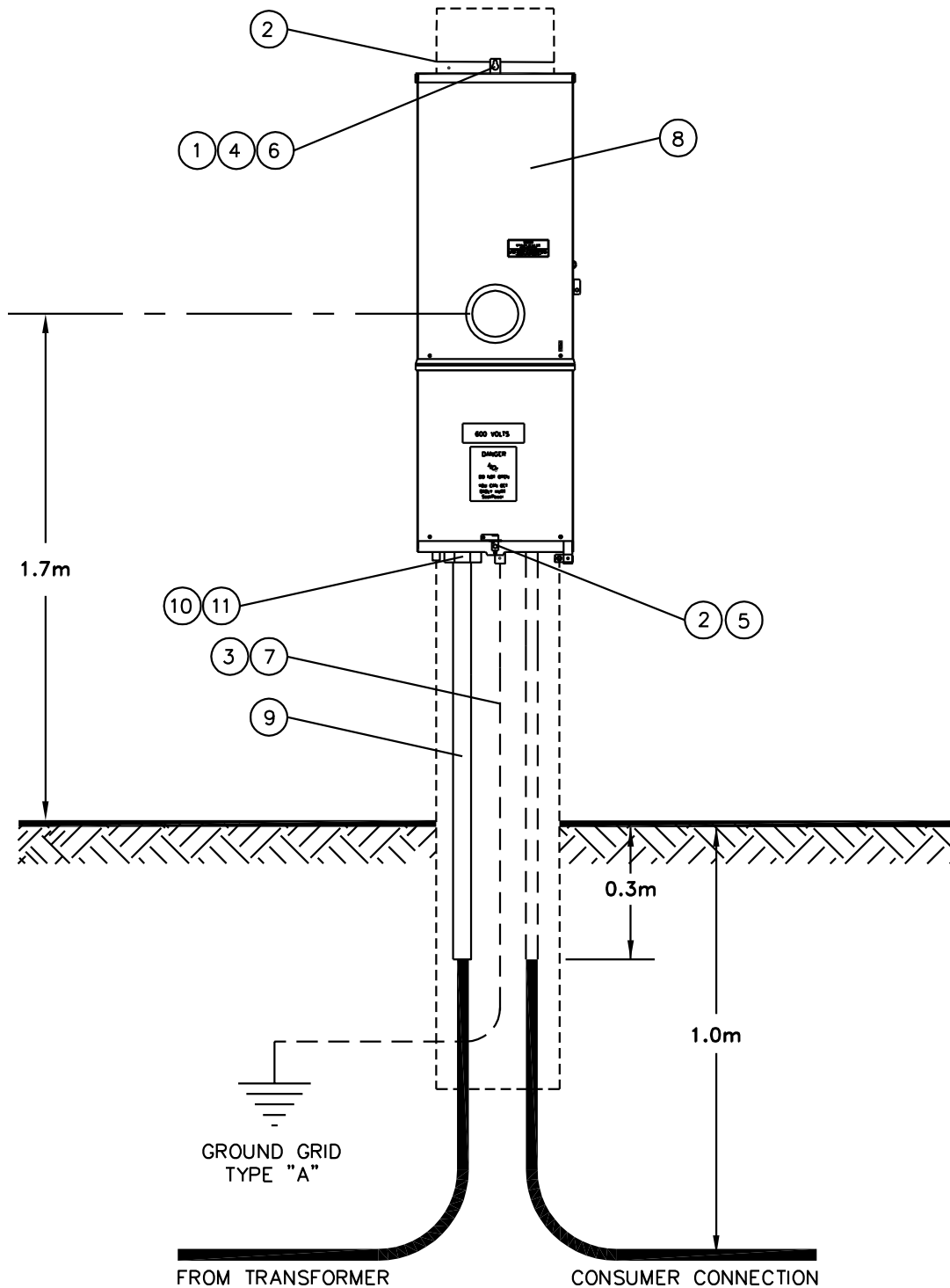
REV. G

BILL OF MATERIAL

ITEM NO.	CODE NO.	QUANTITY	DESCRIPTION
1	1 13 14	1	BOLT – MACHINE – 5/8" x 14"
2	1 78 12	3	LAG SCREW - 1/2" x 4 1/2"
3	1 85 01	0.1 lb	STAPLES - FENCE - 1 3/4"
4	1 93 27	1	WASHER – LOCK DOUBLE COIL – 5/8"
5	1 93 30	1	WASHER – ROUND – 9/16"
6	1 93 42	1	WASHER – SQUARE – 2 1/4" x 2 1/4" x 13/16" HOLE
7	2 83 04	2m	WIRE – CU #4/7 STR BARE
8	5 04 08	1	CABINET – TYPE F-200 200A-600V 7 JAW
9	70 42 21	5'	CONDUIT – 2 1/2" PVC
10	70 42 25	1	LOCKNUT – 2 1/2" STEEL
11	70 42 27	1	TERMINAL ADAPTER – 2 1/2" PVC
12	70 43 50	0.1	CEMENT FOR PVC - QUART

SaskPower - DISTRIBUTION STANDARDS

APPROVAL	DESIGN CHK	DRN.	3Ø 200A OILFIELD METERING 480V & 600V
		CHKD.	
DATE OF ISSUE: 2011-04-01		DRAWING NO: B-24-71	SHEET 1 OF 2 REV. E



SaskPower – DISTRIBUTION STANDARDS

APPROVAL	DESIGN CHK.	DRN. S.KOZEY CHKD.	3Ø 200A OILFIELD METERING 480V & 600V	
DATE OF ISSUE: 2011-04-01		DRAWING NO. B-24-71	SHEET 2 of 2	REV. F

BILL OF MATERIAL

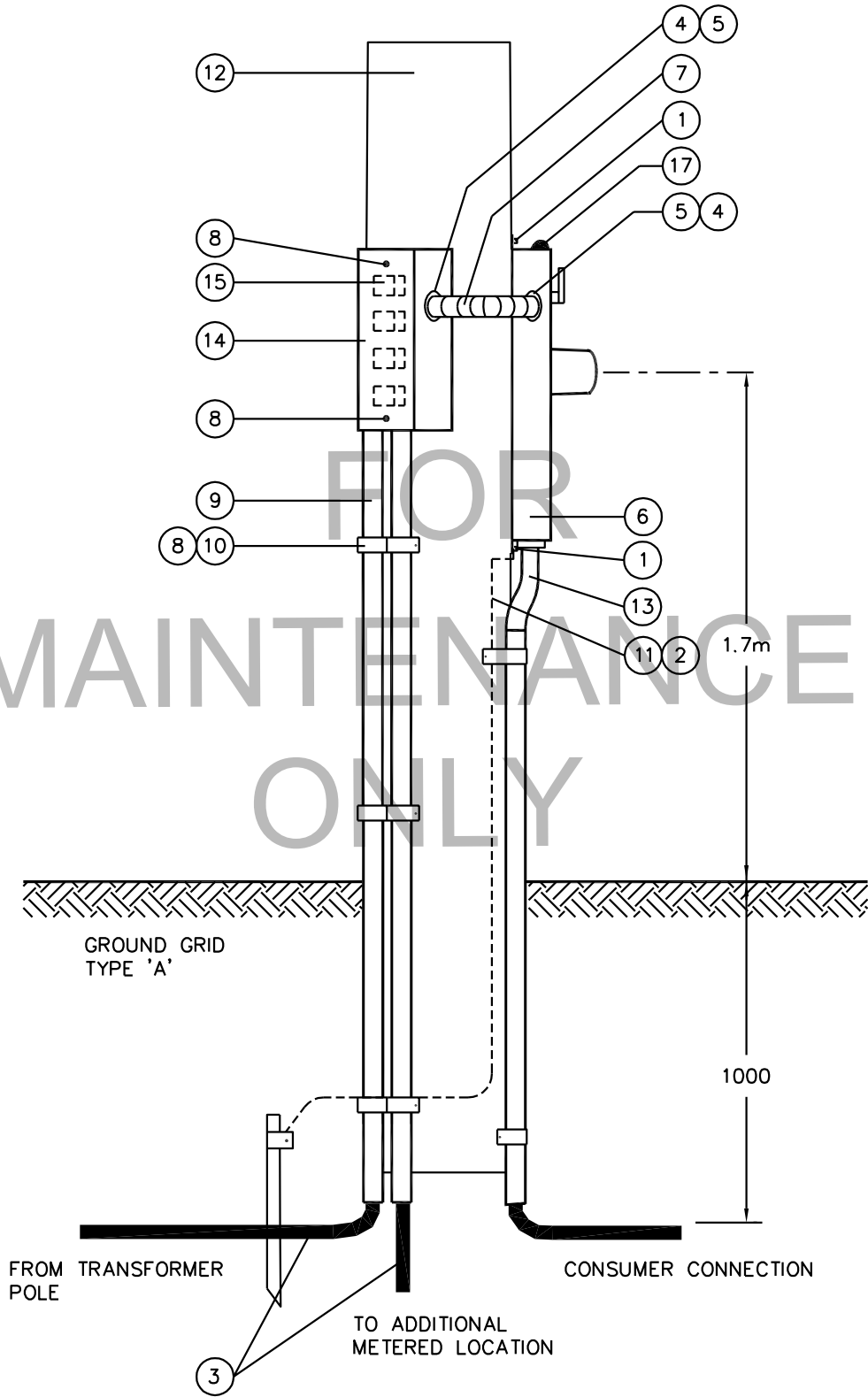
ITEM NO.	CODE NO.	QUANTITY		DESCRIPTION
		A	B	
1	1-78-12	5	5	LAG SCREW - 1/2" x 4 1/2"
2	2-83-04	2 m	2 m	WIRE - CU #4/7 STR
3	2-94-62	X	--	CABLE - TRIPLEX 3x#2 AL (M-302)
3	2-94-64	X	--	CABLE - TRIPLEX 3x1/0 AL (M-302)
3	2-94-66	--	X	CABLE TRIPLEX 3x4/0 AL (M-302)
3	2-94-84	X	--	CABLE - QUAD 4x1/0 AL (M-302)
3	2-94-86	--	X	CABLE - QUAD 4x4/0 AL (M-302)
4	Not Coded	1	--	CONDUIT FITTING - 2" STRAIGHT LIQUID TIGHT
5	70-42-26	2	2	SEALING O-RING - 2"
6	5-04-07	1	0	CABINET - TYPE F-100 7 JAW
6	5-04-08	0	1	CABINET - TYPE F-200 7 JAW
7	Not Coded	0.3m	0.3m	CONDUIT - 2" FLEXIBLE METAL LIQUID TIGHT
8	7-69-62	0.2	0.2	SCREW WOOD - #10 - 1 1/2" ROBERTSON (100/BOX)
9	70-42-20	3.4	3.4	CONDUIT - 2" x 10' PVC
10	70-42-22	8	8	PIPE STRAP - 2" PVC
11	1-85-01	1 lb	1 lb	STAPLES - FENCE - 1 3/4"
12	1-62-06	1/3	1/3	POLE - CLASS 6 - 35'
13	70-42-28	3	3	OFFSET TERMINAL ADAPTER - 2" PVC
14	Not Coded	1	1	BOX - METAL - 8" x 18" RAIN TIGHT
15	5-04-16	4	4	SPLITTER BLOCK - AL
16	70-43-50	0.25	0.25	CEMENT FOR PVC - QUART
17	5-08-62	1	1	FILLER - 1 1/2" KNOCK-OUT
18	70-42-24	3	3	LOCKNUT - 2" STEEL

NOTE:

1. COLUMN A IS FOR 100 AMP SERVICE
COLUMN B IS FOR 200 AMP SERVICE

SaskPower - DISTRIBUTION STANDARDS

DRN.	DESIGN CHK.	APPROVAL	OILFIELD JUNCTION BOX LINE SIDE
CHKD.		DATE	
DATE	DATE	DATE	
DATE OF ISSUE 93-01-01		DRAWING NO: B-24-72 SHEET 1 OF 2	
		REV. B	



SaskPower – DISTRIBUTION ENGINEERING

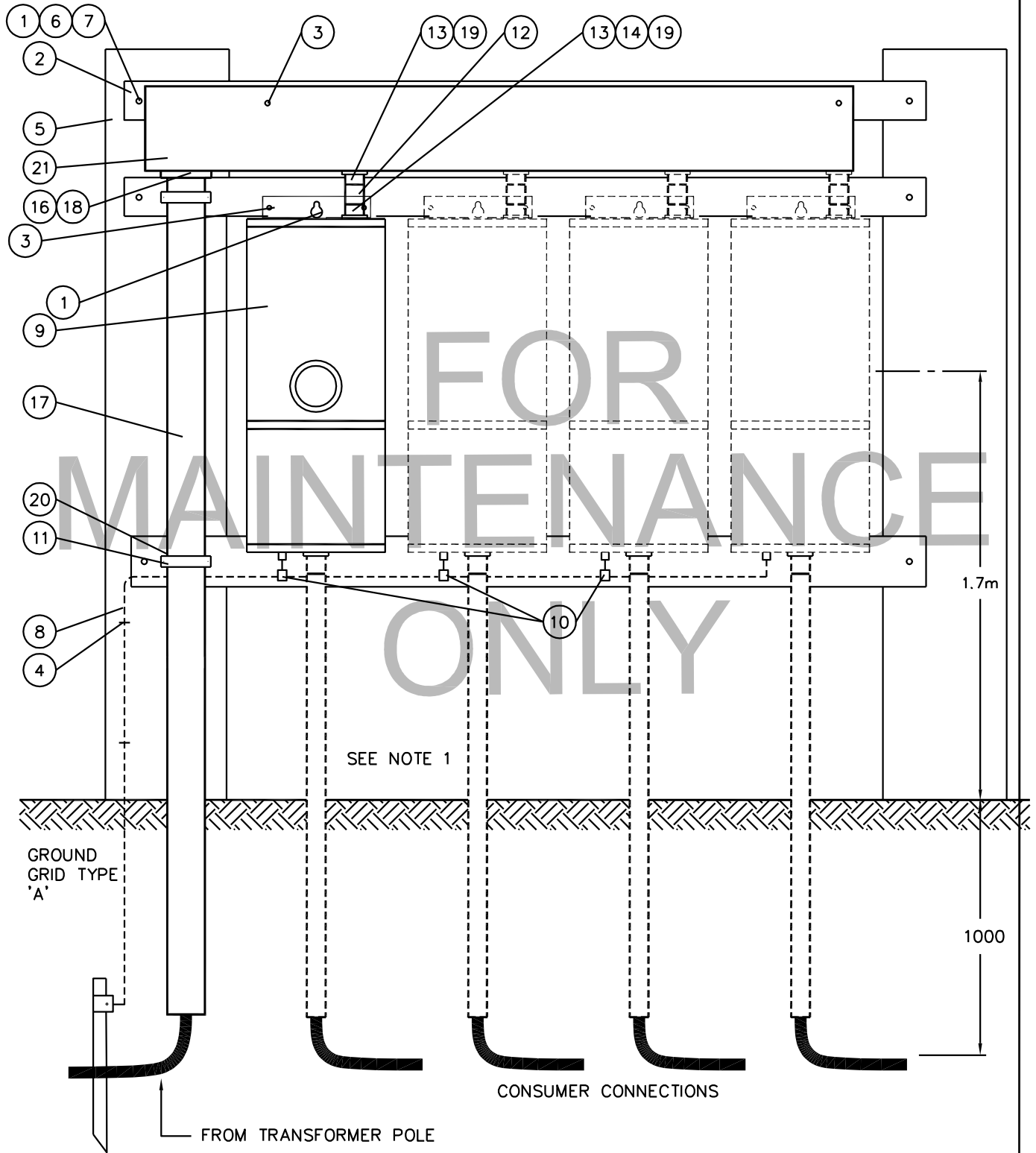
DRN. RJL	DESIGN CHK.	SAFETY APP.	APPROVAL	OILFIELD SITE SERVICE WITH ADDITIONAL SITE
CHKD.				
DATE 92-03-10	DATE	DATE	DATE	
DATE OF ISSUE	2005/03/21	DRAWING NO.	B-24-72	SHEET 2 of 2
				REV. B

BILL OF MATERIAL

ITEM NO.	CODE NO.	QUANTITY	DESCRIPTION
1	1 13 14	6	BOLT – MACHINE – 5/8” x 14” (ADJUST LENGTH)
2	1 29 10	2	CROSSARM – 4” x 5” X 10’
3	1 78 38	14	LAG – SCREW - 3/8 x 4”
4	1 85 01	0.5lb	STAPLES - FENCE 1 3/4”
5	1 87 11	2	STUB – X/11’
6	1 93 20	6	WASHER LOCK – 5/8” SPRING
7	1 93 33	12	WASHER ROUND – 11/16”
8	2 83 04	4m	WIRE – CU #4/7 STR
9	5 04 08	1	CABINET - TYPE F - 200 7 JAW
10	5 12 06	3	CONNECTOR – CRIMPIT (4C4)
11	7 69 62	0.04	SCREW - WOOD - #10 - 1 1/2" ROBERTSON (100/BOX)
12	70 42 21	5’	CONDUIT – 2 1/2" PVC
13	70 42 25	8	LOCKNUT – 2 1/2” STEEL
14	70 42 31	4	SEALING O-RING – 2 1/2"
15	70 43 50	0.1	CEMENT FOR PVC – QUART
16	70 44 84	1	LOCKNUT- 4" STEEL
17	70 45 04	0.5	CONDUIT – 4” x 20’ PVC
18	70 46 08	1	TERMINAL ADAPTER - 4" PVC
19	70 42 27	8	TERMINAL ADAPTER – 2 1/2" PVC
20	not coded	2	CONDUIT STRAP - 4" PVC
21	not coded	1	TROUGH SPLITTER-RAINTIGHT 11” x 60” WITH 600AMP TROUGH BLOCKS

SaskPower - DISTRIBUTION STANDARDS

DRN.	DESIGN CHK.	APPROVAL	MULTIPLE OILFIELD SERVICE 200A
CHKD.			
DATE	DATE	DATE	
DATE OF ISSUE 2005/03/21		DRAWING NO: B-24-73	SHEET 1 of 2
			REV. C



NOTES:

1. REFER TO B-24-70 FOR CONDUIT & FITTINGS

SaskPower – DISTRIBUTION STANDARDS

APPROVAL	DESIGN CHK.	DRN. RJL CHKD. <i>FTK</i>	MULTIPLE OILFIELD SERVICE 200A
DATE OF ISSUE 2010-04-21		DRAWING NO. B-24-73	SHEET 2 of 2
			REV. D

BILL OF MATERIAL

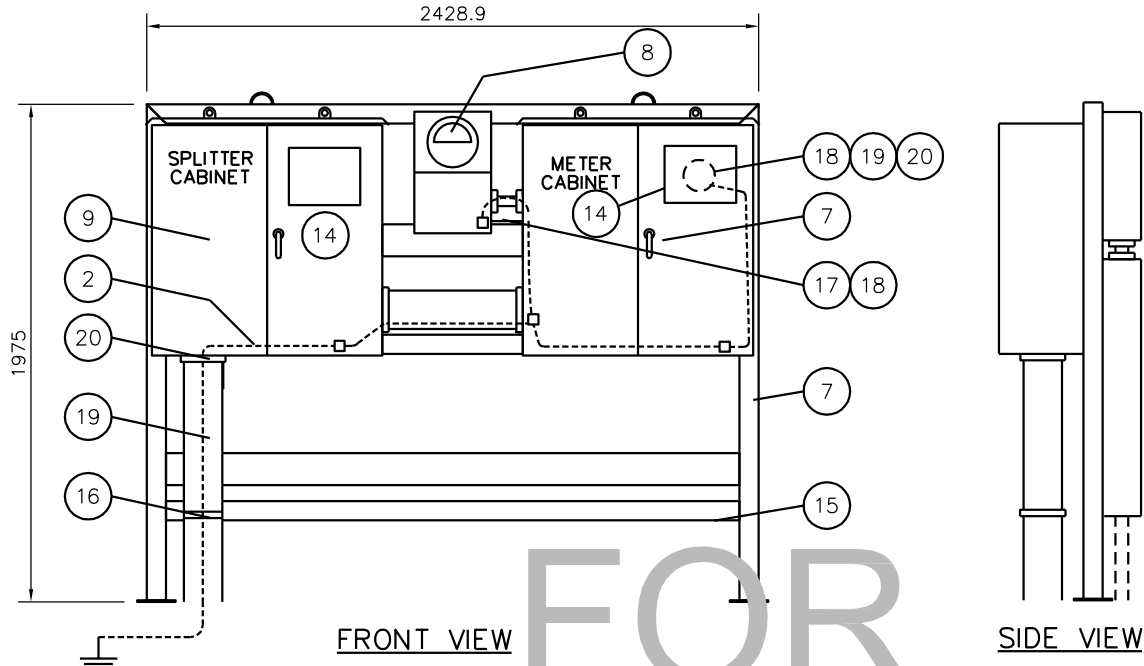
ITEM NO.	CODE NO.	QUANTITY	DESCRIPTION
1	2 65 90	8	HYLUG – 500 KCMIL 1 HOLE
2	2 83 04	5m	WIRE CU - #4/7 STR (SEE NOTE 1)
4	2 95 XX	45 m	CABLE -#12 CU METERING -600V FLAME SEAL -MISC COLOURS
5	5 04 04	3	CABINET –TYPE F200 LMS –C/W 200A BREAKER (SEE NOTE 2)
6	5 04 20	1	STAND – METERING 4 X 8’
7	5 04 32	1	CABINET -METER -36"X36"
8	5 04 33	1	CABINET -METER SOCKET –13 JAW 20A 600V
9	Purchase Locally	1	CABINET -SPLITTER BOX -36"X36" -C/W BLOCKS
10	5 04 46	1	CABINET -SPLITTER TROUGH 72" -C/W BLOCKS
11	71 42 06	1	TAPE -MARKING RED
12	71 42 07	1	TAPE -MARKING BLUE
13	71 42 08	1	TAPE -MARKING YELLOW
14	5 641 380	3	DECAL-DANGER-KEEP OUT-ELECTRICAL CIRCUIT
15	Purchase Locally	2	STRUT – CHANNEL AL 1 5/8” x 1 5/8” x 10’
16	Purchase Locally	1	CLAMP – CHANNEL STRUT 4”
17	Purchase Locally	3 ft	CONDUIT – 2” RIGID METAL
18	Purchase Locally	10	CONNECTOR – 2" RIGID METAL
19	Purchase Locally	5 ft	CONDUIT – 4” RIGID METAL
20	Purchase Locally	5	CONNECTOR – 4" RIGID METAL
21	Purchase Locally	X	CRUSHED ROCK

NOTE:

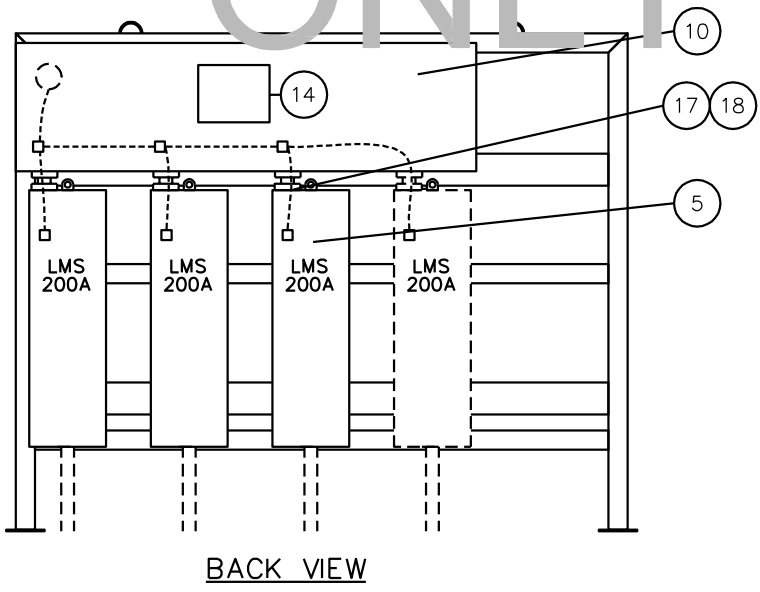
1. ALL CABINETS SHALL BE GROUNDED.
2. FOR FEEDERS >200 AMP, AN LMS IS NOT REQUIRED AS THE CABLE IS TERMINATED DIRECTLY IN THE TROUGH. DUE TO LACK OF SECONDARY PROTECTION FOR THE CABLE, THE LENGTH SHALL NOT EXCEED 100 m.

SaskPower - DISTRIBUTION STANDARDS

APPROVAL	DESIGN CHK	DRN. QS	CONSOLIDATED OILFIELD >200 AMP TO 800 AMP
L. MOEN	Q. SUN	CHKD.	
		2018-03-07	
DATE OF ISSUE: 2018-06-07		DRAWING NO: B-24-74	SHEET 1 OF 2 REV. D



FOR
MAINTENANCE
ONLY



SCALE: N.T.S. ALL DIMENSIONS ARE IN MILLIMETRES UNLESS OTHERWISE INDICATED

SaskPower – DISTRIBUTION STANDARDS			
APPROVAL	DESIGN CHK.	DRN. A JUTTLA CHKD.	CONSOLIDATED OILFIELD > 200A TO 800A
DATE OF ISSUE 2010-04-21	DRAWING NO. B-24-74	SHEET 2 of 2	REV. C

BILL OF MATERIAL

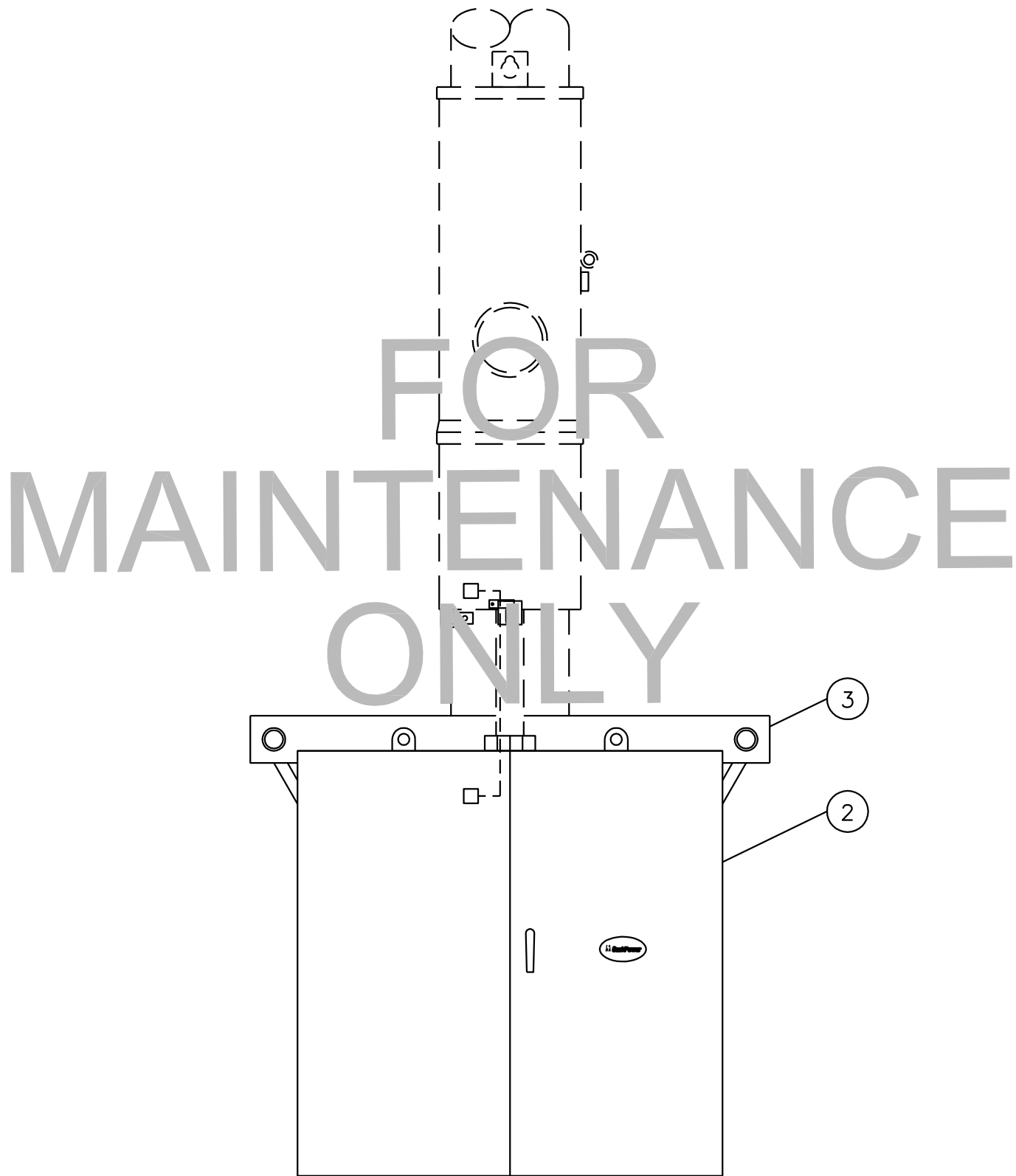
ITEM NO.	CODE NO.	QUANTITY	DESCRIPTION
1	2 83 04	1 m	WIRE CU - #4/7 STR (SEE NOTE 1)
2	5 04 40	-	CABINET - SPLITTER 20" C/W 3 BLOCKS-(1) #6-300, (3) #14-2/0 LUGS
2	Purchase Locally	1	CABINET - SPLITTER 30" C/W 4 BLOCKS-(2) 1/0-350, (2) #2-4/0 LUGS
2	Purchase Locally	-	CABINET - SPLITTER 36" C/W 4 BLOCKS-(2) 3/0-500, (2) 1/0-4/0 LUGS
3	Field Determined	X	COMPONENTS – MOUNTING

NOTE:

1. ALL CABINETS SHALL BE GROUNDED.
2. THESE SPLITTERS ARE SITE LOCATED FOR MULTIPLE AND/OR 300 TO 500 KCMIL CABLE INSTALATIONS.

SaskPower - DISTRIBUTION STANDARDS

APPROVAL	DESIGN CHK	DRN. QS	OILFIELD SPLITTER CABINET
L MOEN	Q. SUN	CHKD.	
		2018-03-28	
DATE OF ISSUE:	2018-06-07	DRAWING NO: B-24-75	SHEET 1 OF 2 REV. C



SaskPower – DISTRIBUTION STANDARDS

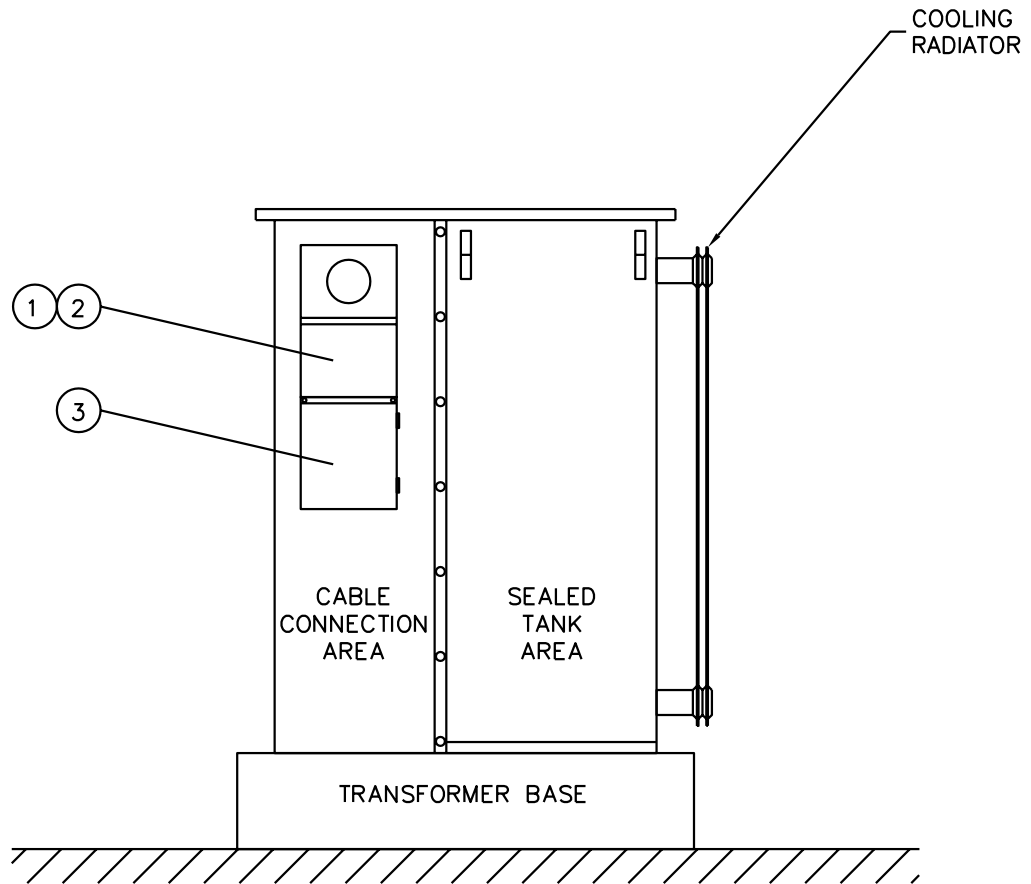
APPROVAL	DESIGN CHK.	DRN.C.A.MILLER CHKD. J.B.L.	OILFIELD SPLITTER CABINET		
DATE OF ISSUE	2010-04-21	DRAWING NO.	B-24-75	SHEET 2 of 2	REV. B

BILL OF MATERIAL

ITEM NO.	CODE NO.	QUANTITY	DESCRIPTION
1	5 04 18	1	KIT PADMOUNT METERING HARDWARE
2	5 04 33	1	METER SOCKET CABINET 13 JAW 19" X 12"
3	5 04 30	1	METER CABINET 16" X 14" X 6"
4	Metering Services	X	BUSHING MOUNT CTs, PTs, & MISC

SaskPower - DISTRIBUTION STANDARDS

APPROVAL L. MOEN	DESIGN CHK D. DONAIS	DRN. DCD CHKD.	ATTACHED PADMOUNT METERING >200AMP
		2018-01-15	
DATE OF ISSUE: 2018-02-20	DRAWING NO: B-24-76	SHEET 1 OF 2	REV. B



NOTE: 1. METER CABINET AND PT CABINET NIPPLED TOGETHER.

SCALE: N.T.S. ALL DIMENSIONS ARE IN MILLIMETRES UNLESS OTHERWISE INDICATED

SaskPower – DISTRIBUTION STANDARDS

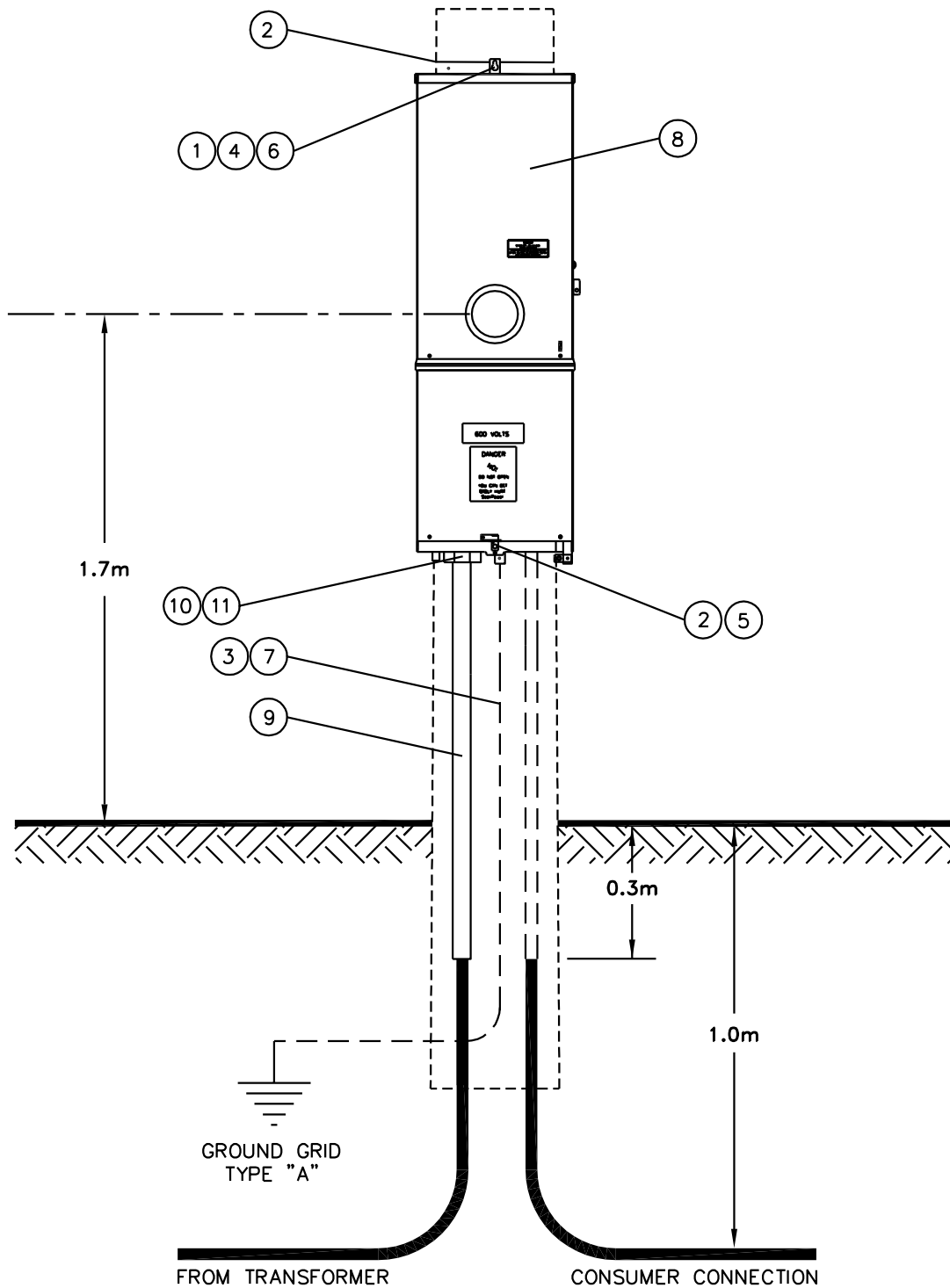
DRN. C.A. MILLER	DESIGN CHK.	APPROVAL	ATTACHED PADMOUNT METERING > 200 AMP
CHKD. J.LB			
DATE 02-09-16	DATE	DATE	
DATE OF ISSUE: 2003/05/30		DRAWING NO. B-24-76	SHEET 2 OF 2 REV. A

BILL OF MATERIAL

ITEM NO.	CODE NO.	QUANTITY	DESCRIPTION
1	1 13 14	1	BOLT – MACHINE – 5/8" x 14"
2	1 78 12	3	LAG SCREW - 1/2" x 4 1/2"
3	1 85 01	0.1 lb	STAPLES - FENCE - 1 3/4"
4	1 93 27	1	WASHER – LOCK DOUBLE COIL – 5/8"
5	1 93 30	1	WASHER – ROUND – 9/16"
6	1 93 42	1	WASHER – SQUARE 2 1/4" x 2 1/4" x 13/16" HOLE
7	2 83 04	2m	WIRE – CU #4/7 STR BARE
8	5 04 06	1	CABINET – TYPE F-200 200A-600V 5 JAW
9	70 42 21	5'	CONDUIT – 2 1/2" PVC
10	70 42 25	1	LOCKNUT – 2 1/2" STEEL
11	70 42 27	1	TERMINAL ADAPTER – 2 1/2" PVC
12	70 43 50	0.1	CEMENT FOR PVC - QUART

SaskPower - DISTRIBUTION STANDARDS

APPROVAL	DESIGN CHK	DRN.	1Ø 200A OILFIELD METERING 240V & 480V
		CHKD.	
DATE OF ISSUE: 2011-04-01		DRAWING NO: B-24-77	SHEET 1 OF 2 REV. B



SaskPower – DISTRIBUTION STANDARDS

APPROVAL	DESIGN CHK.	DRN. S.KOZEY CHKD. <i>[Signature]</i>
----------	-------------	--

1Ø 200A OILFIELD METERING
240V & 480V

DATE OF ISSUE: 2011-04-01

DRAWING NO. B-24-77

SHEET 2 of 2

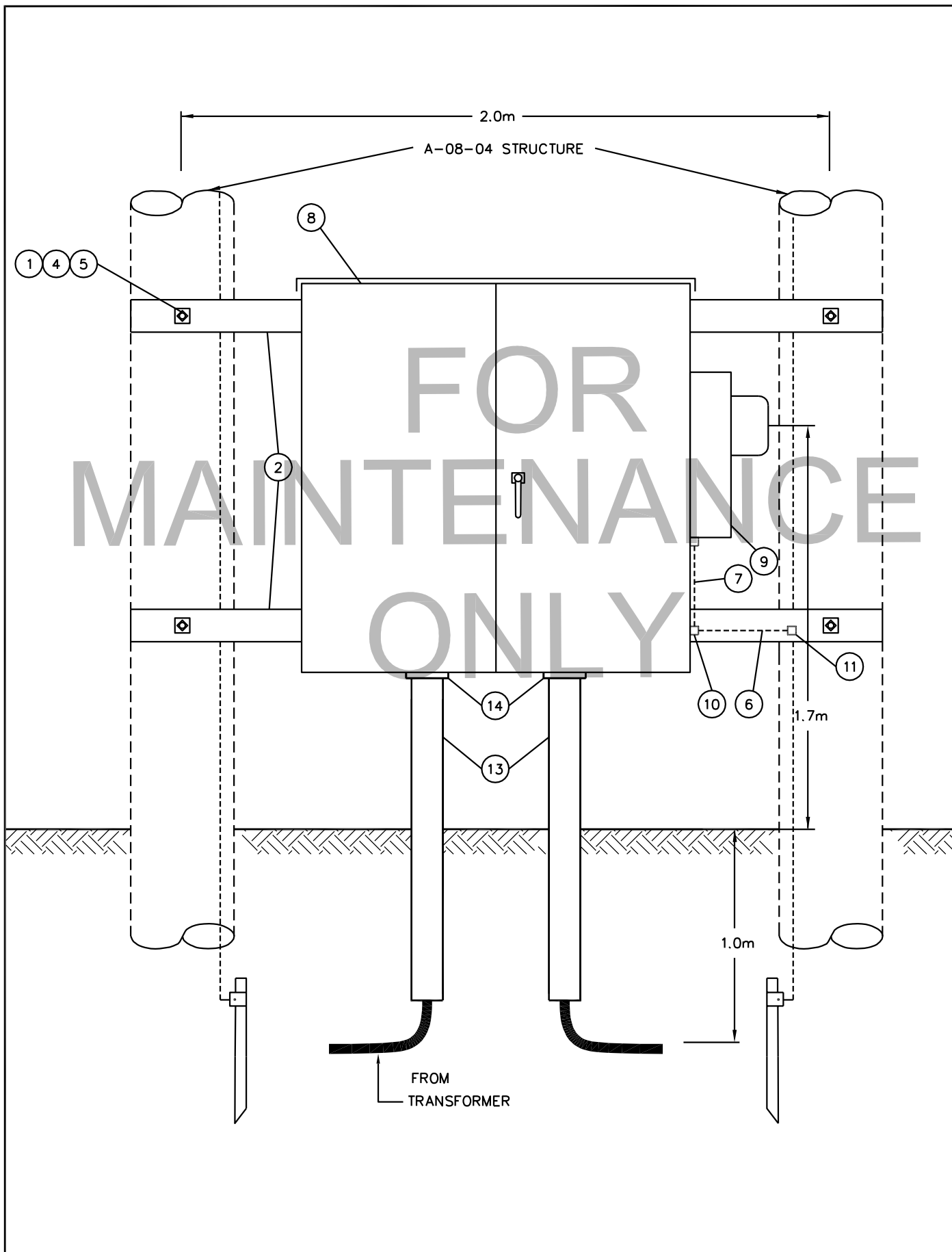
REV. B

BILL OF MATERIAL

ITEM NO.	CODE NO.	QUANTITY	DESCRIPTION
1	1 13 20	4	BOLT-MACHINE - 5/8" X 20"
2	1 29 10	2	CROSSARM - WOOD - 10' LONG - 3 PIN
3	1 78 12	6	LAG-SCREW - 1/2"X 4 1/2" - GALVANIZED
4	1 93 42	8	WASHER-SQUARE - 2 1/4" X 2 1/4"-13/16"HOLE
5	1 93 27	4	WASHER - LOCK - 5/8"- DOUBLE COIL SPRING
6	2 83 20	2 m	WIRE-COPPER - 2/0 19 STR.-BARE-SOFT DRAWN
7	2 83 04	1 m	WIRE-COPPER - #4/7 STR.-BARE-SOFT DRAWN
8	5 04 32	1	METERING CABINET 36" X 36" X 12"
9	5 04 33	1	METER SOCKET CABINET 13 JAW 19" X 12"
10	5 12 09	1	CONNECTOR-COPPER - CRIMPIT 2/0 - #4
11	5 12 10	1	CONNECTOR-COPPER - CRIMPIT 2/0 - 2/0
12	70 43 50	0.5	CEMENT - FOR PVC PIPE TYPE 1 - SCH. 40
13	70 45 04	1	PIPE PVC 4"ID PLAS-TYTON WATERTIGHT 20' LENGTH
14	70 46 08	2	ADAPTER - 4" TERMINAL - THREADED
15	Purchase Locally	4	SCREWS - SELF TAPPING #8 X 3/4"

SaskPower - DISTRIBUTION STANDARDS

DRN. MGE	DESIGN CHK.	APPROVAL	> 200A OILFIELD SERVICE
CHKD.			
DATE	DATE	DATE	
DATE OF ISSUE 2005/03/21		DRAWING NO: B-24-78	SHEET 1 of 2 REV. A



SaskPower – DISTRIBUTION STANDARDS

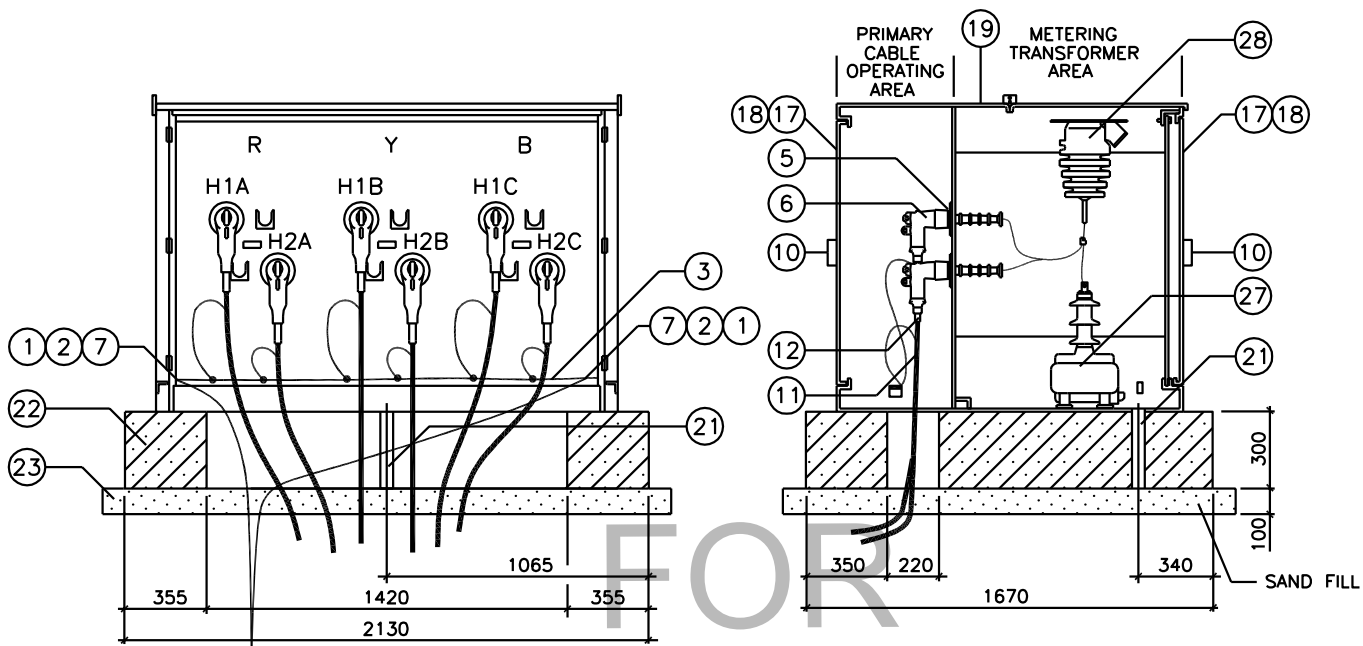
APPROVAL	DESIGN CHK.	DRN. <i>R</i>	> 200A OILFIELD SERVICE
		CHKD. <i>R</i>	

BILL OF MATERIAL

ITEM NO.	CODE NO.	QUANTITY	DESCRIPTION
1	1-93-14	4	WASHER FLAT-1/2"
2	2-65-83	4	HYLUG-#2
3	2-83-02	4	WIRE CU-#2/7 STR (m)
4	5-12-01	6	CRIMPIT CU-#2 TO #2
5	5-79-12	6	BUSHING INSERT-LOADBREAK
6	5-79-35	6	ELBOW-#1 AL LOADBREAK
7	70-10-51	2	BOLT-1/2" x 2"
9	71-35-00	4	KIT CABLE PREPARATION
10	7-66-00	2	PADLOCK-#4 KEY
11	7-72-33	3/4	TAPE VINYL ELECTRICAL (ROLL)
12	7-72-53	1/3	TAPE SEMI-CONDUCTING (ROLL)
13	71-42-06	1	TAPE-PHASE I.D. RED
14	71-42-07	1	TAPE-PHASE I.D. BLUE
15	71-42-08	1	TAPE-PHASE I.D. YELLOW
16	05-638-00X	6	TAG-CABLE MARKER
17	05-641-385	2	DECAL-DANGER DO NOT OPEN
18	05-646-582	2	DECAL-WATCH FOR WIRES
19	METERING SERVICES PURCHASE	1	METERING UNIT PAD-MOUNT, TRANSFORMERS INCLUDED
21	LOCALLY PURCHASE	0.6	CONDUIT-3" PVC (m)
22	LOCALLY PURCHASE	1	CONCRETE-21 MPa (Cu m)
23	LOCALLY PURCHASE	0.25	SAND (Cu m)
24	LOCALLY PURCHASE	4	ANCHOR BOLT
25	LOCALLY PURCHASE	4	ANCHOR WASHER
26	LOCALLY PURCHASE	4	ANCHOR NUT
27	SUPPLIED	2	VOLTAGE TRANSFORMER
28	SUPPLIED	3	CURRENT TRANSFORMER

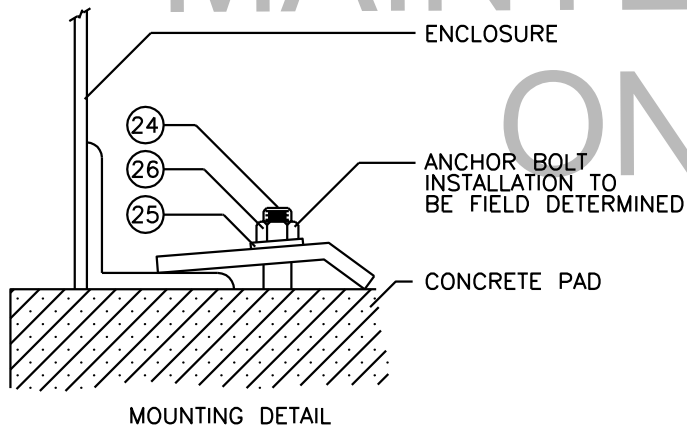
SaskPower - DISTRIBUTION STANDARDS

DRN.	DESIGN CHK.	APPROVAL	THREE-PHASE 25 Kv PAD-MOUNT METERING
CHKD.			
DATE	DATE	DATE	
DATE OF ISSUE 93-10-12		DRAWING NO: B-24-80	SHEET 1 OF 2 REV. 0

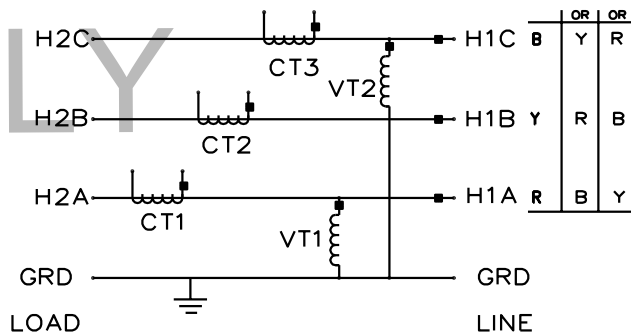


GROUND GRID TYPE A
FRONT VIEW - DOORS REMOVED

SECTION VIEW



MOUNTING DETAIL



SINGLE LINE DIAGRAM

NOTES:

1. FOR GROUNDING SEE B-33-01.
2. INSURE SUFFICIENT CABLE LENGTH FOR ELBOW OPERATION.
3. UPON POURING THE CONCRETE PAD, NOTE THE 3" DIA. PVC TUBING. THIS TUBE IS TO ALLOW FOR SECONDARY WIRING. IF 2" CONDUIT IS LAID TO METER LOCATION THE 2" PVC CONDUIT MAY ENTER THE UNIT VIA THE 3" CONDUIT. THIS WILL ALLOW FOR GROUND HEAVING AND SWELLING.
4. OPTIONALLY IF REQUIRED, A HOLE MAY BE PUNCHED IN THE SIDE OF THE UNIT TO ALLOW EXIT OF SECONDARY WIRING. USE STANDARD CONDUIT EQUIPMENT.

SCHEMATICS:

FOR 3Ø-4W Y - REFER TO REVENUE METERING CONNECTION DIAGRAM CD-192.

SCALE: N.T.S. ALL DIMENSIONS ARE IN MILLIMETRES UNLESS OTHERWISE INDICATED

SaskPower - DISTRIBUTION STANDARDS

DRN. D.F.K.	DESIGN CHK.	SAFETY APP.	APPROVAL	THREE PHASE 25kV PADMOUNT METERING
CHKD.				
DATE 95-10-24	DATE	DATE	DATE	
DATE OF ISSUE: 2005/03/21			DRAWING NO. B-24-80	SHEET 2 OF 2
				REV. A