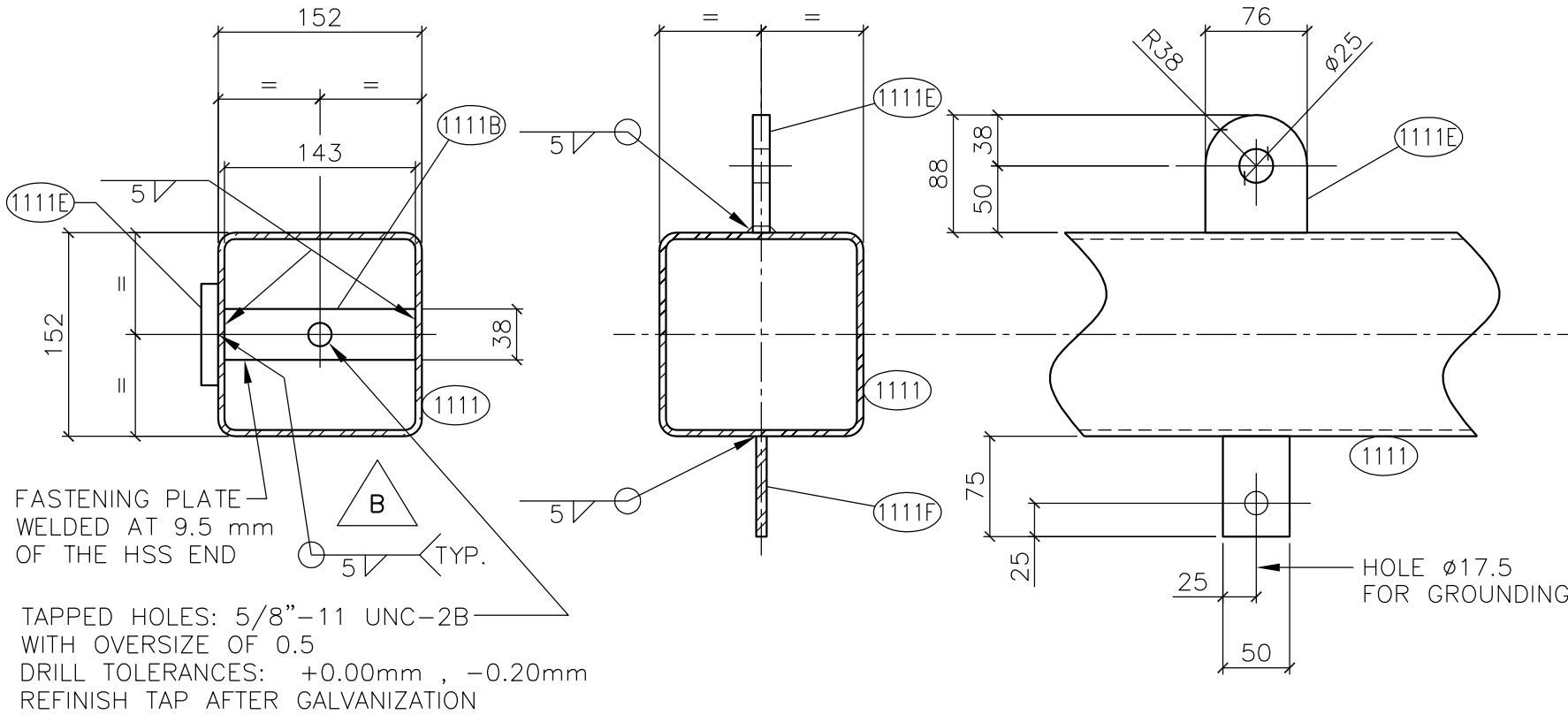


NOTES:

- FOR FABRICATION NOTES, SEE SHEET 4.
- STEEL STRAPS SHALL BE BOUND TOGETHER BY STEEL WIRE, AND THEN ATTACHED TO THE STEEL ARM WITH PLASTIC WRAP. ALL PARTS SHALL BE ADEQUATELY SEPARATED BY BLOCKING OR PADDING TO PREVENT ABRASION DURING TRANSIT.

KIT DESCRIPTION:

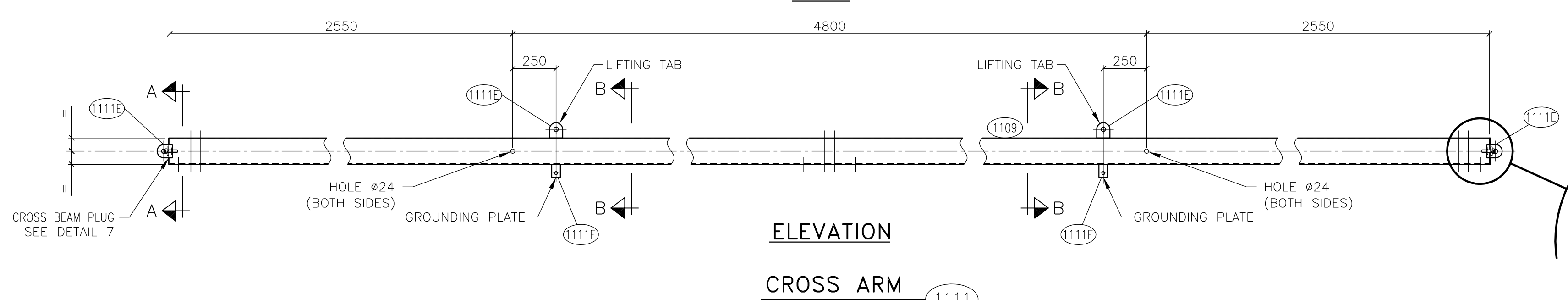
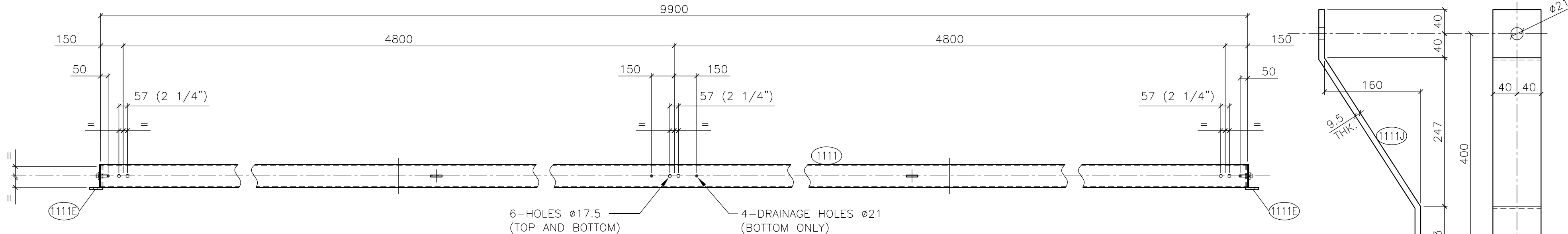
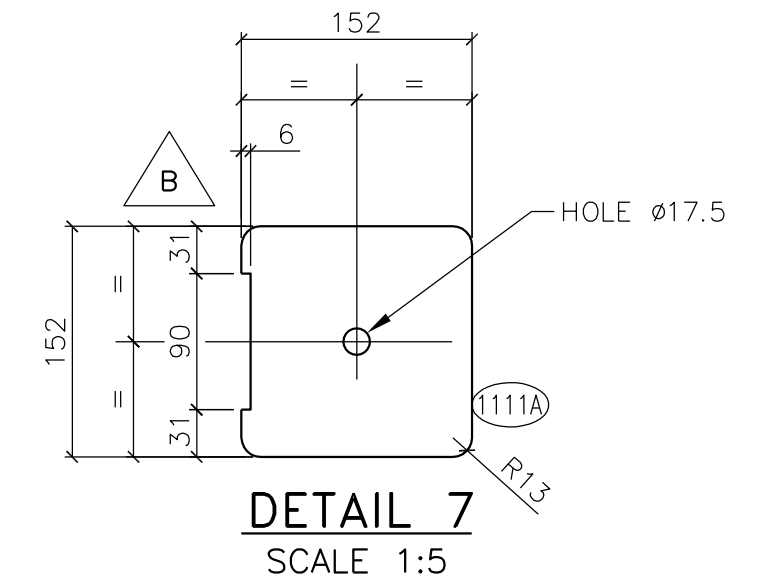
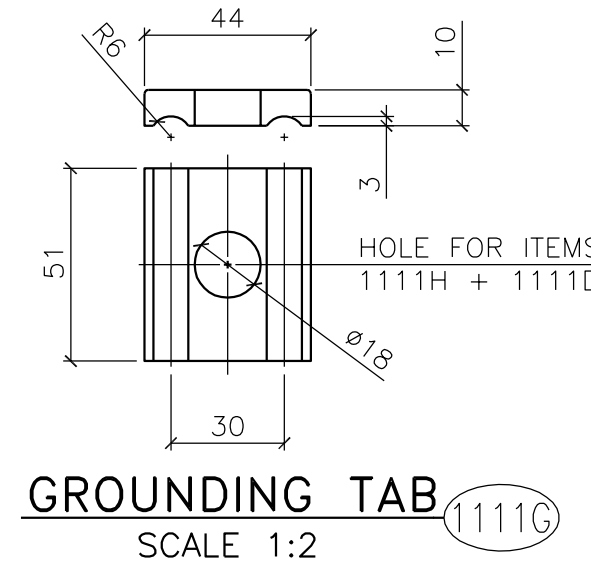
STEEL CROSS ARM: ASSEMBLE 2 GROUNDING TABS (MARK 1111G) TO GROUNDING PLATES ON TUBE ASSEMBLY (MARK 1111F) WITH 5/8" LOCK WASHER (MARK 1111D) AND 5/8" x 2" HEXAGONAL BOLT (MARK 1111H).
 ASSEMBLE 2 CROSS BEAM PLUGS (MARK 1111A) TO FASTENING PLATES ON TUBE ASSEMBLY (MARK 1111B) WITH 5/8" x 1 3/4" BOLT (MARK 1111C) AND 5/8" LOCK WASHER (MARK 1111D).



STEEL CROSS ARM FOR HAWK/PENGUIN KIT – HSS 152x152x4.8 – 12944

No.	QTY	DESCRIPTION	LENGTH	UNIT WEIGHT (kg) +3.5% GALV.	TOTAL WEIGHT(kg) +3.5% GALV.
1111	1	CROSS ARM – HSS 152x152x4.8	9900	222.35	222.35
1111A	2	CROSS BEAM PLUG – PL 6.4x152	152	1.21	2.42
1111B	2	FASTENING PLATE – PL 6.4x38.1	142	0.28	0.56
1111C	2	HEXAGONAL BOLT 5/8" x 1 3/4" Lg.	–	0.14	0.28
1111D	4	LOCKWASHER FOR BOLT 5/8"	–	0.01	0.04
1111E	4	LIFTING TAB – PL 12.7x76	88	0.69	2.76
1111F	2	GROUNDING PLATE – PL 7.9x50	75	0.24	0.48
1111G	2	GROUNDING TAB – PL 9.5x44	51	0.17	0.34
1111H	2	HEXAGONAL BOLT 5/8" x 2" Lg. WITH NUT	–	0.14	0.28
1111J	2	CROSS ARM – STEEL STRAP – PL 9.5x80	527	3.25	6.50

TOTAL WEIGHT FOR A SET: 236.01 kg



APPROVED FOR CONSTRUCTION

SaskPower INTERNAL USE ONLY

72/138 kV

STEEL CROSSARM AND CROSS BRACE TANGENT STRUCTURE (0°-2°)

CROSSARM FABRICATION (HAWK/PENGUIN)

FABRICATION

AUTOCAD SOURCE FILENAME: D14-902-2SW-05 RB.DWG
PLOT DATE: 2015-01-09 PAPER: C
PLOT TIME: 11:14
PLOTTED BY: JEROME.SAVOIE
SCALE: 1:20 (U.O.S.)
DRAWING No.
D14
902-2SW
SHEET 5 OF 15 REV. B

DESIGNED BY J. MÉNARD (CIMA+) DRAWN BY J. SAVOIE APPR'D BY K. OLECHNOWICZ SEALED BY K. OLECHNOWICZ DATE (Y-M-D) 2015-01-12	DESIGNED BY J. MÉNARD (CIMA+) DRAWN BY J. SAVOIE APPR'D BY K. OLECHNOWICZ SEALED BY K. OLECHNOWICZ DATE (Y-M-D) 2014-08-12	ENGINEERING SEAL.	DRAFTING DEPT. DRAWN BY J. SAVOIE CHECKED BY DATE (Y-M-D) 2013-11-22
REVISION FOR SHEET NUMBER LIFTING TAB WELDING MODIFIED CROSS BEAM PLUG MODIFIED	GENERAL REVISION		DESIGN DEPT. DESIGNED BY J. MÉNARD (CIMA+) CHECKED BY K. OLECHNOWICZ APPROVED BY K. OLECHNOWICZ SEALED BY K. OLECHNOWICZ DATE (Y-M-D) 2013-11-22