

**JOINT USE**

DRAWING NUMBER	SHT.	DRAWING TITLE	DWG REV.	BOM REV.
<b>B-28-01</b>	<b>1 – 2</b>	<b>RESIDENTIAL JOINT-USE TAKE-OFF</b>	<b>C</b>	<b>C</b>
<b>B-28-02</b>	<b>1 – 1</b>	<b>COMMUNICATION TAKE-OFF ON JOINT USE POLE (TYPICAL)</b>	<b>0</b>	<b>-</b>
<b>B-28-03</b>	<b>1 – 1</b>	<b>CAPPED DUCT INSTALLATION BY SECOND PARTY</b>	<b>0</b>	<b>-</b>
<b>B-28-05</b>	<b>1 – 1</b>	<b>CONDUCTOR DEPTH OF COVER (REFER TO B-14-65)</b>	<b>B</b>	<b>-</b>

**SaskPower** - DISTRIBUTION STANDARDS

APPROVAL	DESIGN CHK	DRN. <b>ARU</b>
<b>L. MOEN</b>	<b>A. UHREN</b>	CHKD.
		<b>2017-05-03</b>

**INDEX**

**BILL OF MATERIAL**

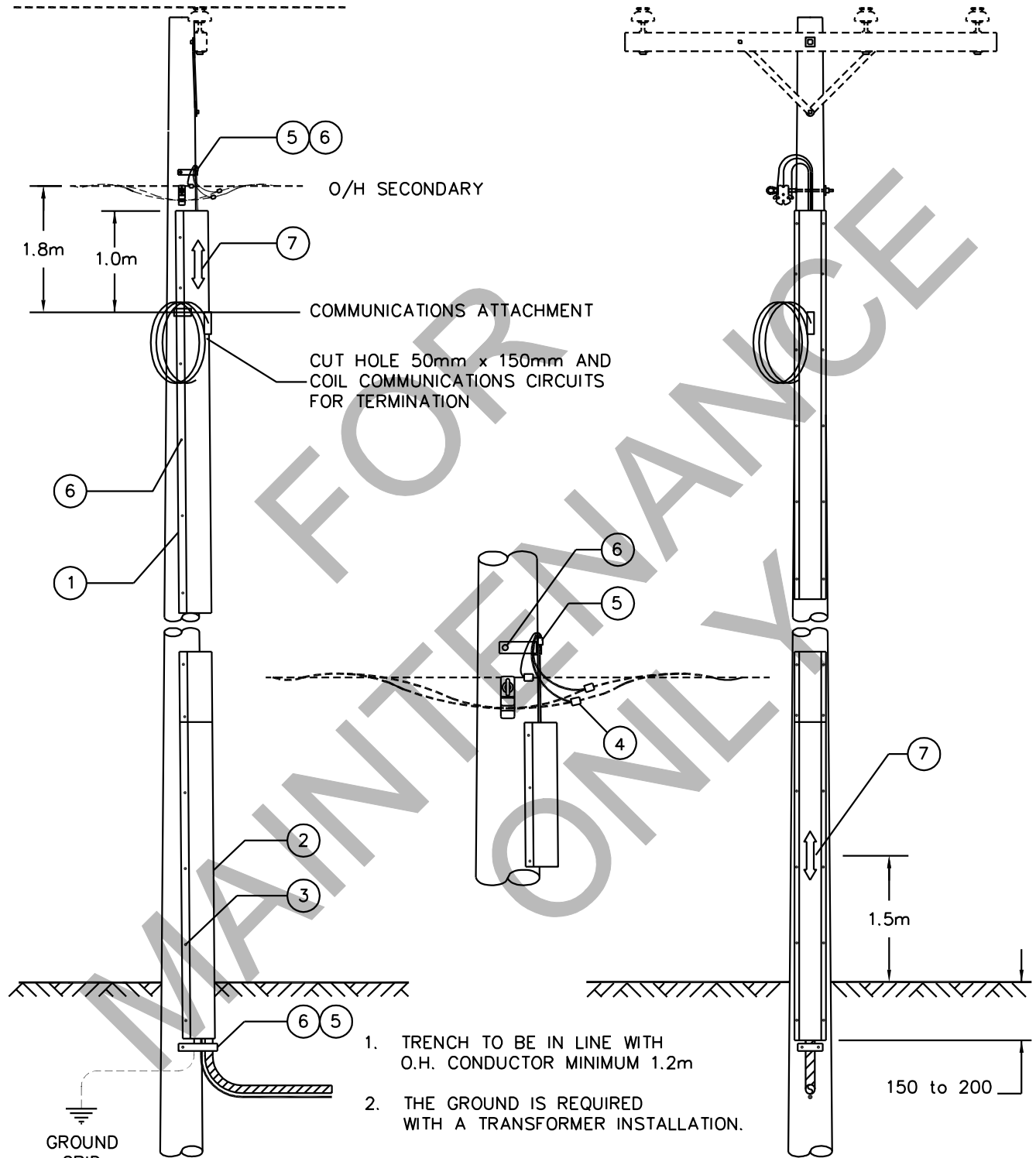
ITEM NO.	CODE NO.	QUANTITY		DESCRIPTION
		A	B	
1	1 34 08	-	3	GUARD CABLE PLASTIC – 4" x 8'
1	1 34 09	3	-	GUARD CABLE PLASTIC - 2 1/2" x 8'
2	1 34 10	-	1	GUARD CABLE STEEL - 4" x 8'
2	1 34 11	1	-	GUARD CABLE STEEL - 2 1/2" x 8'
3	1 78 38	6	6	SCREW LAG – 1/2" x 4"
4	5 09 10	3	3	CONNECTOR COMPRESSION
5	5 46 18	2	2	STRAP LEAD
6	7 69 62	.30	.30	SCREW WOOD - #10 – 1 1/2" (100/BOX)
7	5 646 582	2	2	DECAL – WATCH FOR WIRES

**NOTE:**

1. USE COLUMN 'A' OR 'B' TO SUIT THE NUMBER OF CIRCUITS. COLUMN 'A' – 2-1/2" CABLE GUARD, COLUMN 'B' – 4" CABLE GUARD.

**SaskPower** - DISTRIBUTION STANDARDS

DRN.	DESIGN CHK.	APPROVAL	<b>SECONDARY TAKE-OFF STRUCTURE</b>
CHKD.			
DATE	DATE	DATE	
DATE OF ISSUE <b>2007/04/16</b>		DRAWING NO: <b>B-28-01</b>	<b>SHEET 1 OF 2</b>   REV. <b>C</b>



O/H SECONDARY

1.8m

1.0m

COMMUNICATIONS ATTACHMENT

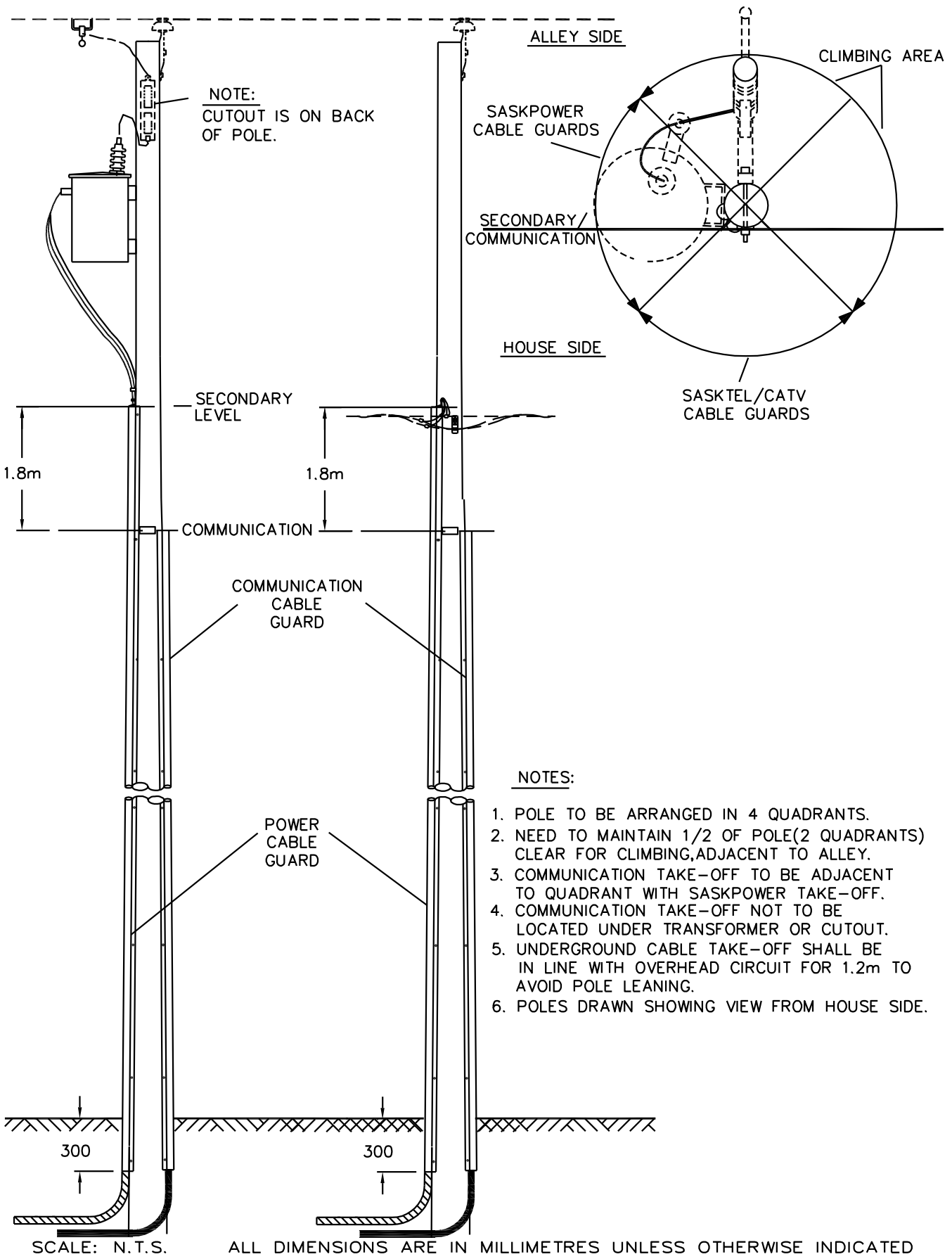
CUT HOLE 50mm x 150mm AND COIL COMMUNICATIONS CIRCUITS FOR TERMINATION

1. TRENCH TO BE IN LINE WITH O.H. CONDUCTOR MINIMUM 1.2m
2. THE GROUND IS REQUIRED WITH A TRANSFORMER INSTALLATION.
3. MAXIMUM IS FOUR UNDERGROUND RESIDENTIAL SERVICES.
4. SASKTEL/CATV CHARGES, FLAT RATE/ SERVICE IN NATURAL EARTH, ARE SHOWN IN FORM I.
5. USE B-14-11 FOR NEW CONSTRUCTION.

SCALE: N.T.S. ALL DIMENSIONS ARE IN MILLIMETRES UNLESS OTHERWISE INDICATED

**SaskPower** – DISTRIBUTION STANDARDS

DRN.	DESIGN CHK.	APPROVAL	RESIDENTIAL SERVICE JOINT USE TAKE-OFF
CHKD.			
DATE 92-11-24	DATE	DATE	
DATE OF ISSUE: 2007/04/16	DRAWING NO. B-28-01	SHEET 2 of 2	REV. C

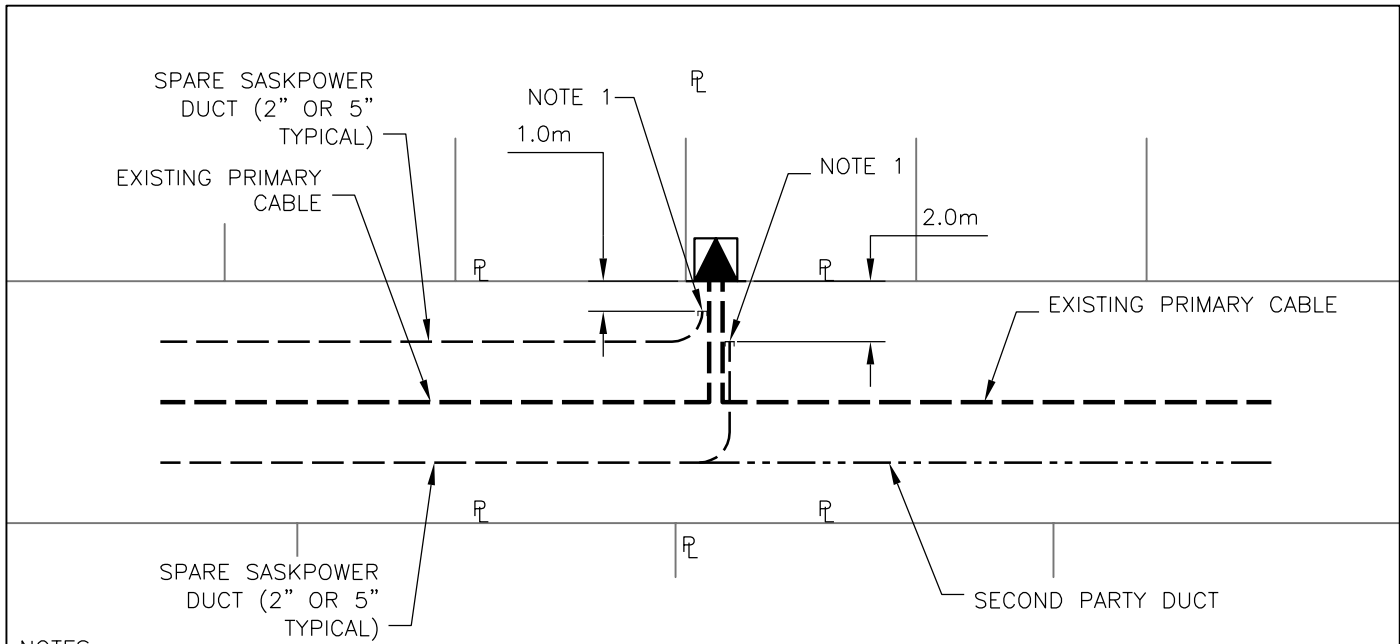


**NOTES:**

1. POLE TO BE ARRANGED IN 4 QUADRANTS.
2. NEED TO MAINTAIN 1/2 OF POLE(2 QUADRANTS) CLEAR FOR CLIMBING,ADJACENT TO ALLEY.
3. COMMUNICATION TAKE-OFF TO BE ADJACENT TO QUADRANT WITH SASKPOWER TAKE-OFF.
4. COMMUNICATION TAKE-OFF NOT TO BE LOCATED UNDER TRANSFORMER OR CUTOUT.
5. UNDERGROUND CABLE TAKE-OFF SHALL BE IN LINE WITH OVERHEAD CIRCUIT FOR 1.2m TO AVOID POLE LEANING.
6. POLES DRAWN SHOWING VIEW FROM HOUSE SIDE.

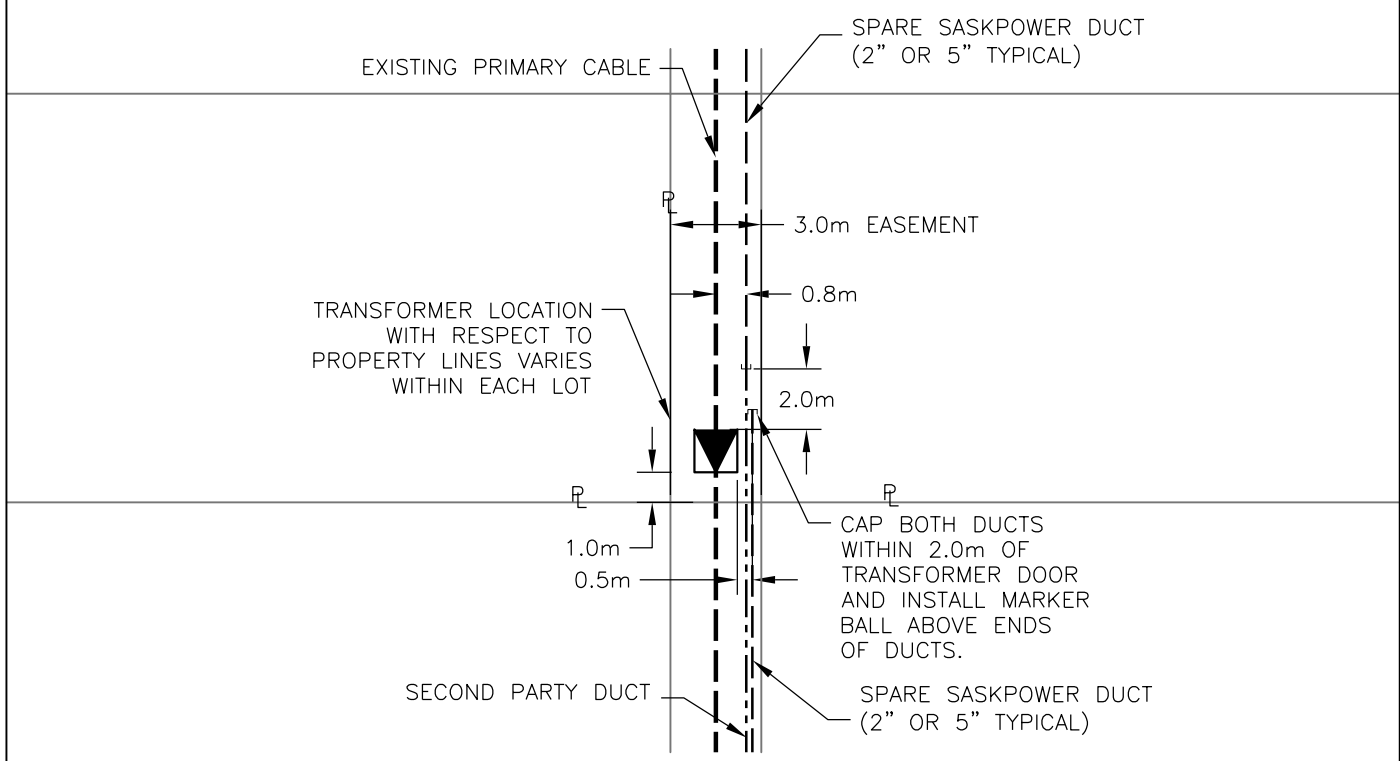
**SaskPower** - DISTRIBUTION STANDARDS

DRN.	DESIGN CHK.	SAFETY APP.	APPROVAL	COMMUNICATION TAKE-OFF ON JOINT USE POLE (TYPICAL)
CHKD.				
DATE	DATE	DATE	DATE	
DATE OF ISSUE: 2007/04/16			DRAWING NO. B-28-02	SHEET 1 of 1
				REV. 0



- NOTES:**
1. TURN AND EXTEND DUCT 45° TO 90° OFF BORE LINE FOR EASE OF FUTURE ACCESS AND USE OF THE DUCT.
  2. ENDS OF DUCTS SHALL BE CAPPED. INSTALL MARKER BALL ABOVE ENDS OF DUCTS, AS WELL AS 45° AND 90° CORNERS.

CAPPED DUCT INSTALLATION BY  
SECOND PARTY DETAIL:  
BACK LANE ARRANGEMENT



CAPPED DUCT INSTALLATION BY  
SECOND PARTY DETAIL:  
BACK-OF-LOT ARRANGEMENT

<b>SaskPower</b> – DISTRIBUTION STANDARDS				
APPROVAL L.MOEN	DESIGN CHK. A.UHREN	DRN. Y.HAO CHKD. A.UHREN	CAPPED DUCT INSTALLATION BY SECOND PARTY	
		2017-01-03		
DATE OF ISSUE	2017/05/03	DRAWING NO. B-28-03	SHEET 1 of 1	REV. -