

JOINT USE

DRAWING NUMBER	SHT.	DRAWING TITLE	DWG REV.	BOM REV.
A-28-00	1	GENERAL INFORMATION	C	-
A-28-01	1	JOINT USE CONFIGURATION	B	-
A-28-02	1 - 2	JOINT USE POLE PLACEMENT	0 / A	-
A-28-03	1	BONDED CONNECTION OF MESSENGER TO EXISTING GROUND RISER	B	-
A-28-04	1	JOINT USE BONDING WHERE THERE IS NO GROUND RISER	A	-
A-28-05	1 - 2	TRANSFER MESSENGER	A	A

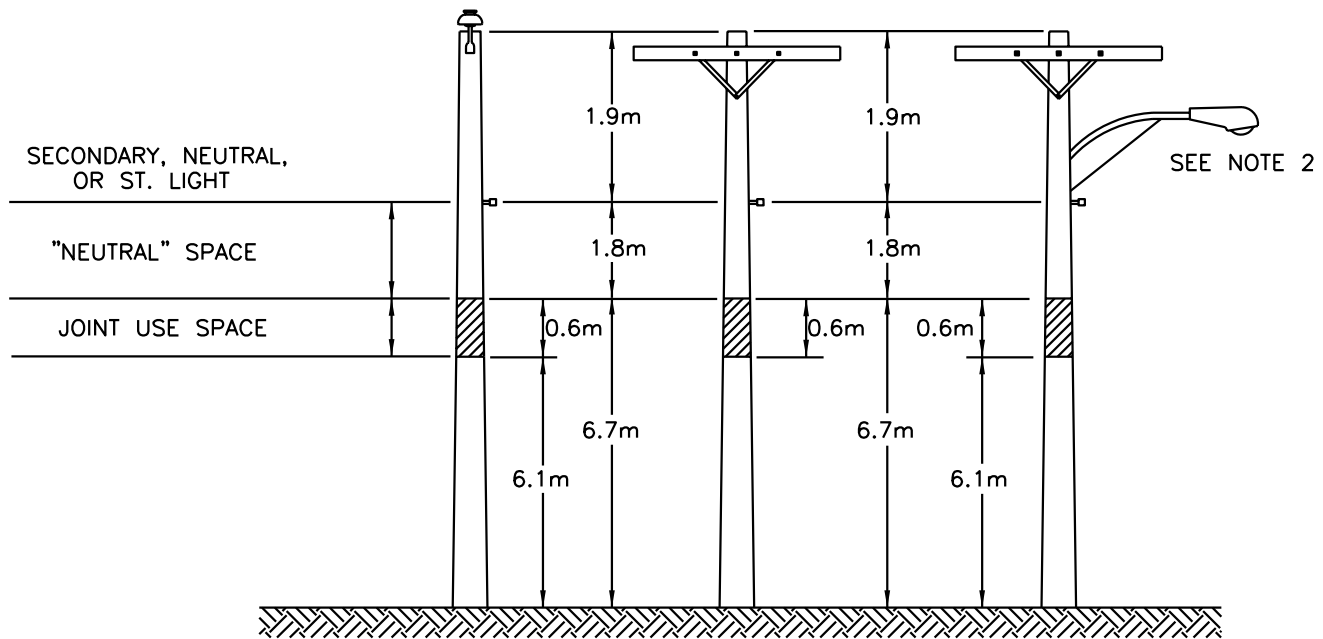
SaskPower - DISTRIBUTION STANDARDS

APPROVAL	DESIGN CHK	DRN.	INDEX
		CHKD.	

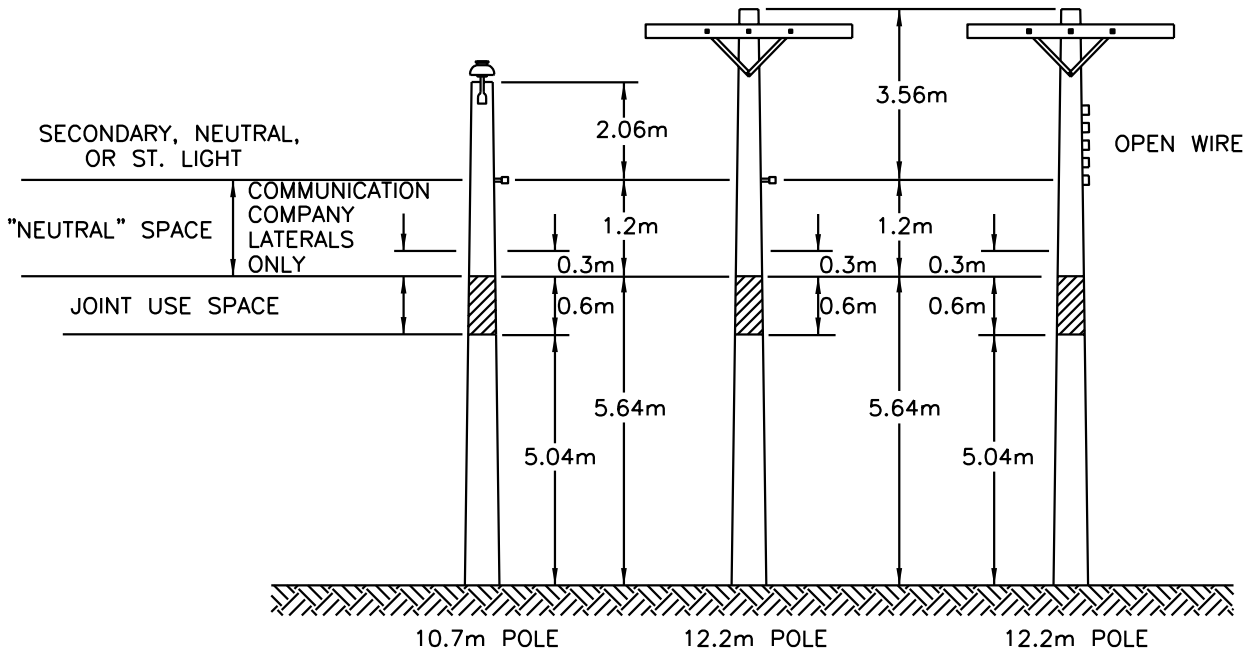
JOINT USE

1. THIS SECTION INTENDS TO SHOW ONLY THE PHYSICAL CONFIGURATION AND BONDINGS REQUIREMENTS FOR POLES DESIGNATED TO BE JOINT USE. THE JOINT USE SPACE IS AN ALLOCATED AREA OF 0.6m TYPICALLY FOR ALL COMMUNICATION CIRCUITS INCLUDING TELEPHONE, CABLE TELEVISION, AND VARIOUS SIGNAL CIRCUITS. IF A FOURTH ATTACHMENT IS NEEDED, A LARGER POLE WILL BE REQUIRED.
2. FORMAL JOINT USE AGREEMENTS ARE IN EFFECT THAT DETAIL THE REQUIREMENTS OF POLE PLACEMENT (AND RELOCATION) RELATIVE TO COMMUNICATION EQUIPMENT. THESE MUST BE REFERRED TO BEFORE ANY POLE OR LINE CHANGES ARE MADE SINCE THERE ARE A NUMBER OF DETAILS INVOLVED THAT CANNOT BE COVERED IN THIS STANDARD.
3. WHEN SPANS GREATER THAN 46m ARE INVOLVED, DISTRIBUTION ENGINEERING IN REGINA SHOULD BE CONTACTED. NOT ONLY WILL CLEARANCES BETWEEN OUR CIRCUITS AND THE COMMUNICATIONS CIRCUITS BE INVOLVED BUT POLE STRENGTH AND ALLOWABLE GUYING MAY CHANGE.
4. FOR CLEARANCES OF CONDUCTORS AND COMMUNICATION CIRCUITS IN MID-SPAN, CROSSING CONDUCTORS AND WITH GUYS, ETC. SEE SECTION C-24-02.
5. LOCATION FOR BONDING WILL BE IDENTIFIED BY THE COMMUNICATION COMPANY PRIOR TO CONSTRUCTION.
6. ONLY URBAN DISTRIBUTION POLES WILL BE CONSIDERED FOR JOINT USE.
7. UNDERGROUND COMMUNICATION TAKE OFFS ARE NOT ALLOWED ON POLES WHERE GROUND OPERATED SWITCHES ARE PRESENT.

SaskPower - DISTRIBUTION STANDARDS				
	APPROVAL	DESIGN CHK	DRN.	GENERAL INFORMATION
			CHKD.	
	DATE OF ISSUE: 2011-04-01		DRAWING NO: A-28-00	
	SHEET 1 of 1			REV. C



MINIMUM 12.2 POLE HEIGHT (SEE NOTE 1 AND 4)
 THESE SEPARATIONS ARE FOR MAXIMUM SPANS OF 46m
NEW CONSTRUCTION



CONSTRUCTION PRIOR TO 1987

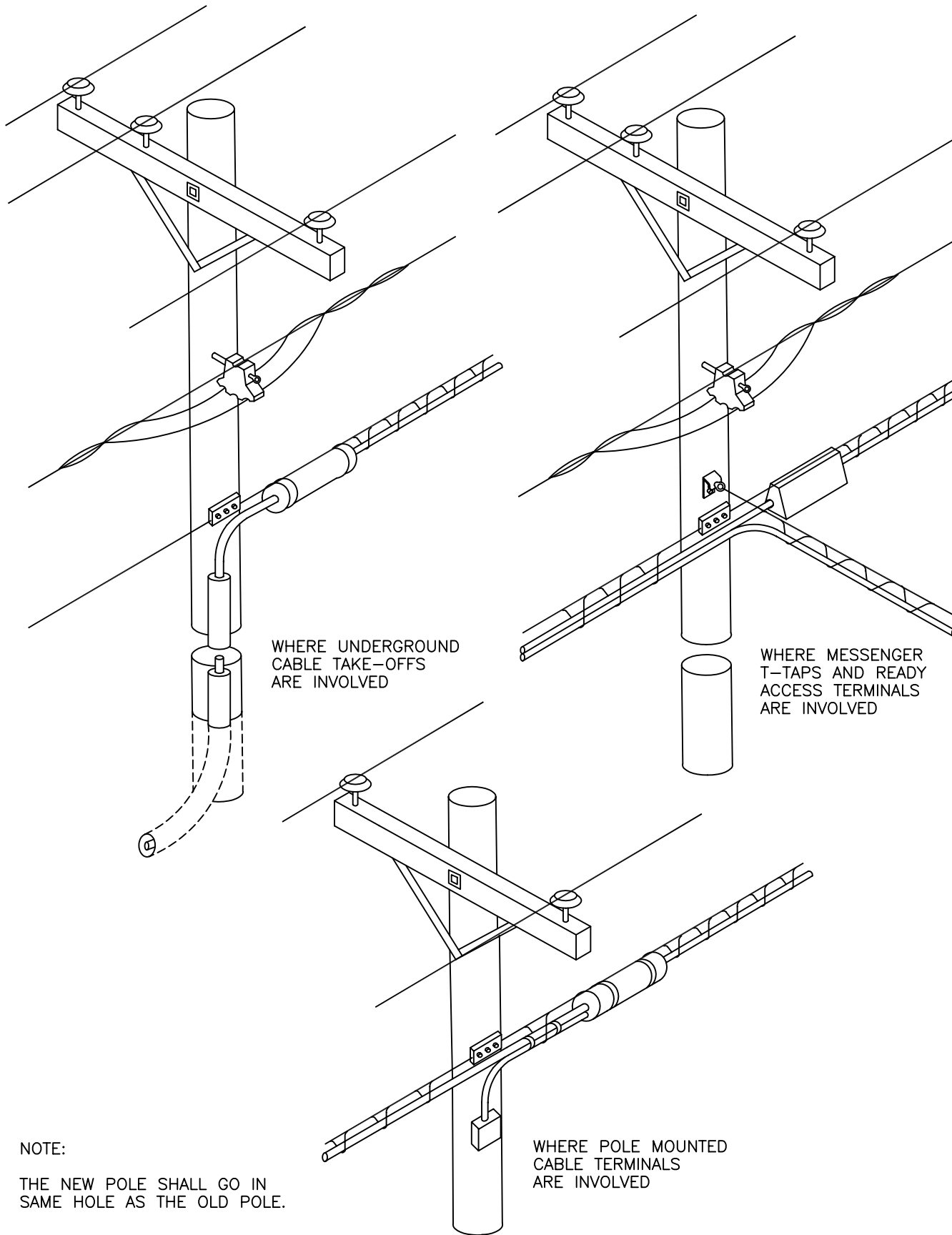
NOTE:

1. CLEARANCES SHOWN ARE MINIMUM VALUES.
2. IF DUE TO MOUNTING HEIGHT REQUIREMENTS A STREET LIGHT BRACKET IS WITHIN 1m OF THE TOP OF THE JOINT USE SPACE, THEN THE BRACKET MUST BE GROUNDED. SEE SECTION A-20-XX.
3. FOR OTHER CLEARANCES REFER TO SECTION C-24-02.
4. DIFFERENCE IN ELEVATION BETWEEN TOP OF ADJACENT POLES SHALL BE 0.65m MAXIMUM.

SCALE: N.T.S. ALL DIMENSIONS ARE IN MILLIMETRES UNLESS OTHERWISE INDICATED

SaskPower – DISTRIBUTION STANDARDS

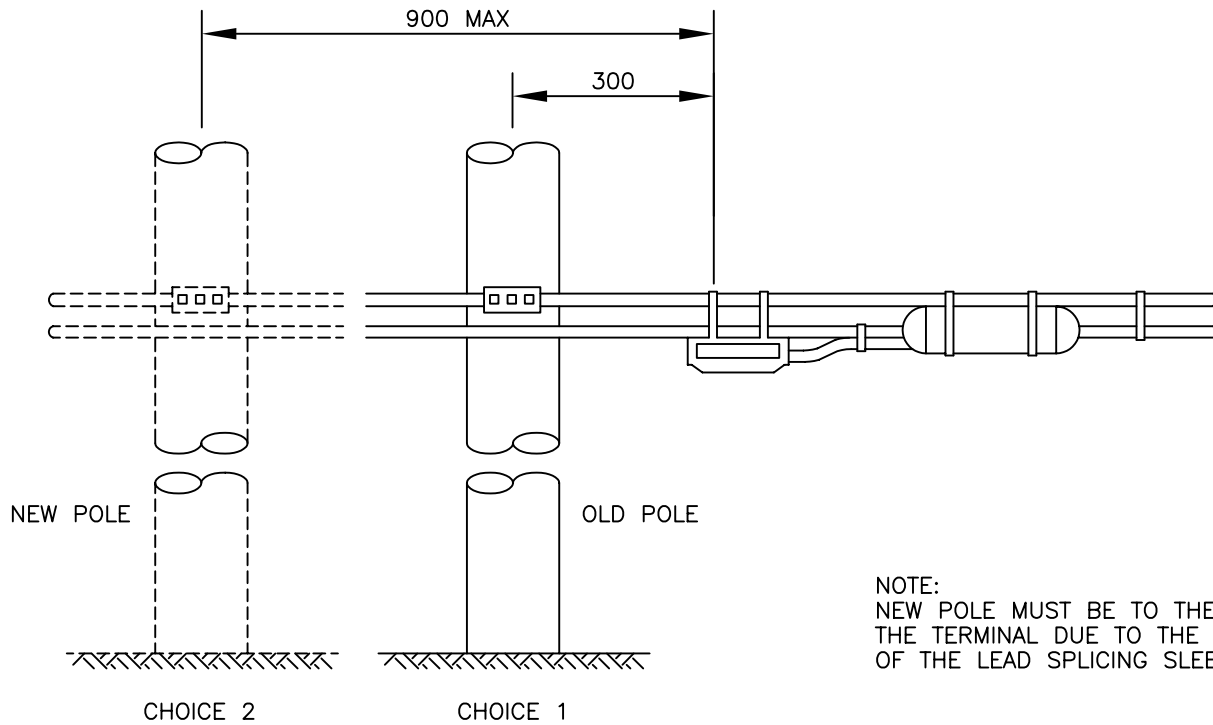
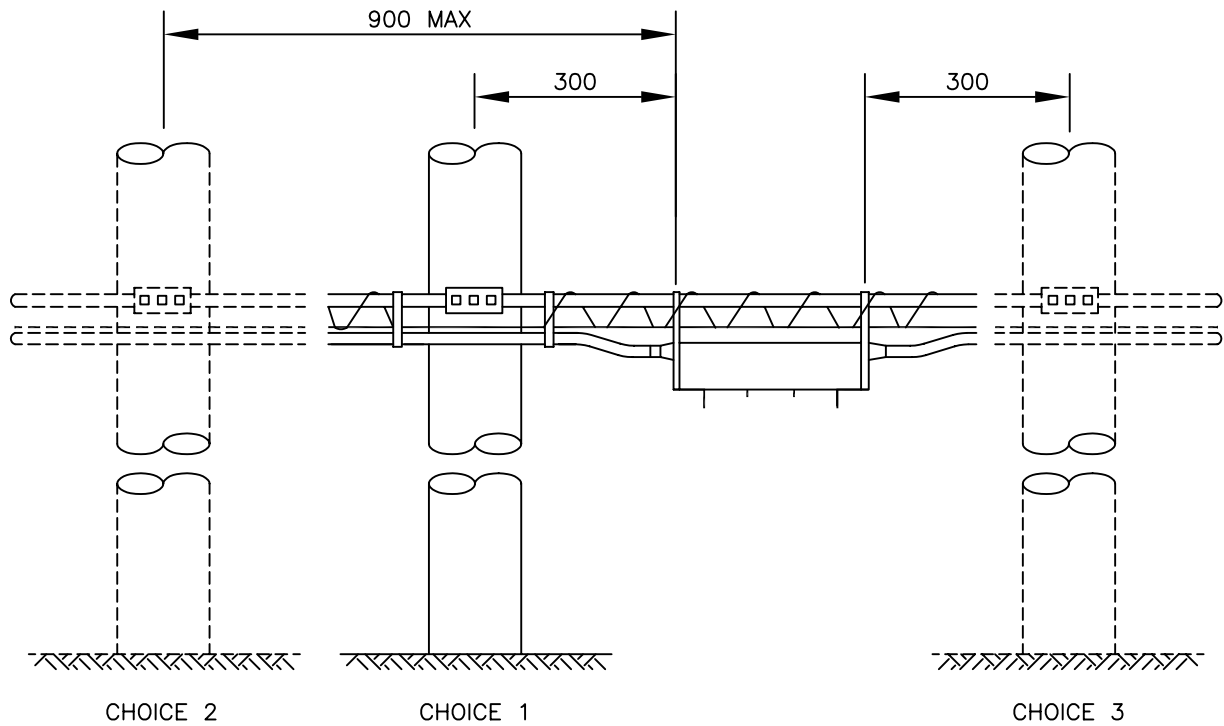
DRN.	DESIGN CHK.	SAFETY APP.	APPROVAL	JOINT USE CONFIGURATION
CHKD.				
DATE	DATE	DATE	DATE	
DATE OF ISSUE: 2003/05/30		DRAWING NO. A-28-01		SHEET 1 OF 1
REV. B				



SCALE: N.T.S. ALL DIMENSIONS ARE IN MILLIMETRES UNLESS OTHERWISE INDICATED

SASKATCHEWAN POWER CORP. – DISTRIBUTION ENGINEERING STANDARDS

DRN. DK	DESIGN CHK.	SAFETY APP.	APPROVAL	JOINT USE POLE PLACEMENT
CHKD. FTK				
DATE 86-11-29	DATE	DATE	DATE	
DATE OF ISSUE 87-02-01		DRAWING NO. A-28-02	SHEET 1 of 2	REV. 0

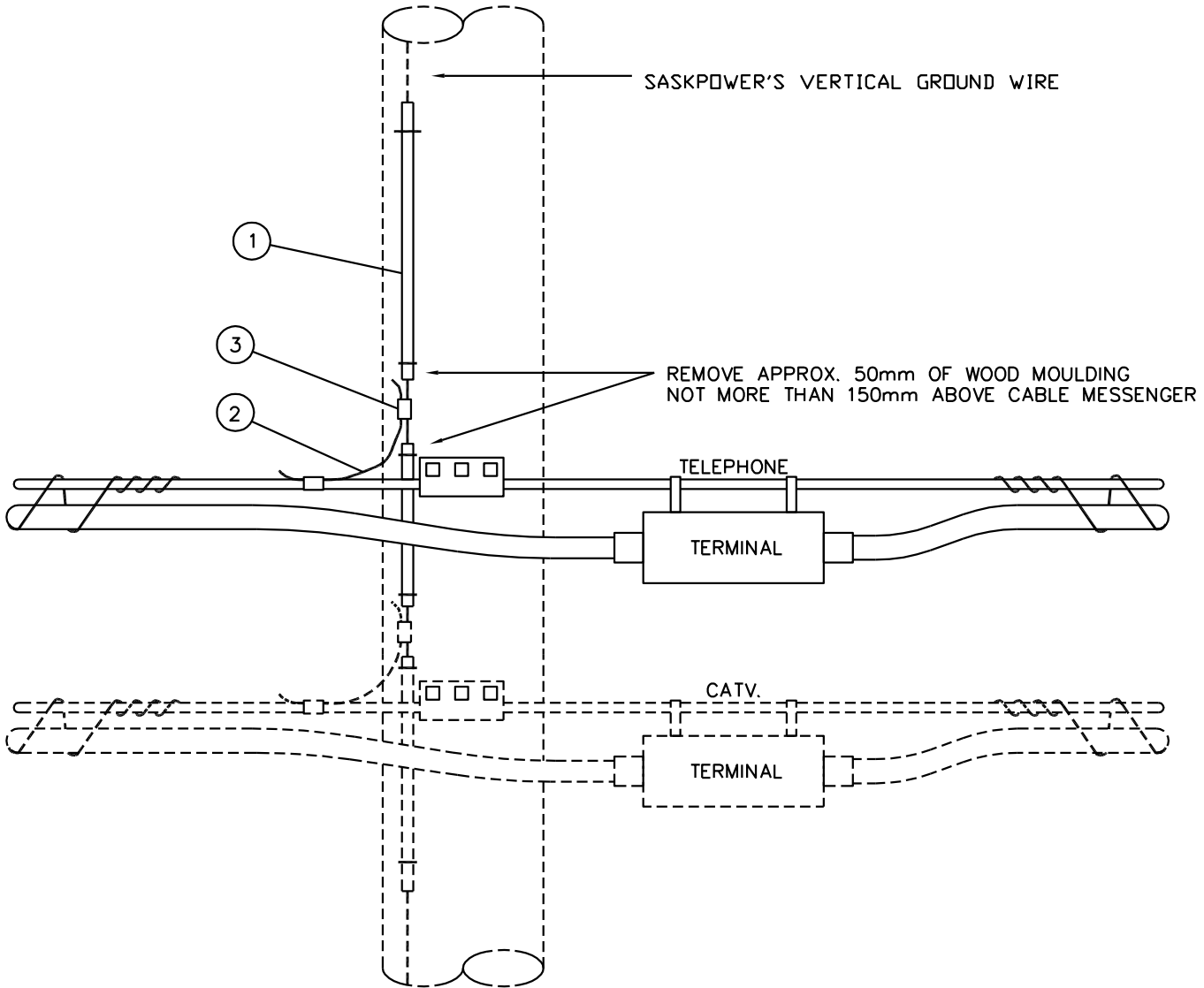


SCALE: N.T.S. ALL DIMENSIONS ARE IN MILLIMETRES UNLESS OTHERWISE INDICATED

SaskPower – DISTRIBUTION STANDARDS

DRN. DK	DESIGN CHK.	SAFETY APP.	APPROVAL	JOINT USE POLE PLACEMENT
CHKD.				
DATE	DATE	DATE	DATE	
DATE OF ISSUE	DRAWING NO. A-28-02		SHEET 2 of 2	REV. A

NO.	CODE	QTY.	MATERIAL
1	1-85-02	2	STAPLE MOULDING
2	2-83-04	300mm	WIRE #4/7 STR. BARE CU.
3	5-09-XX	2	CRIMPIT TO SUIT



NOTE:

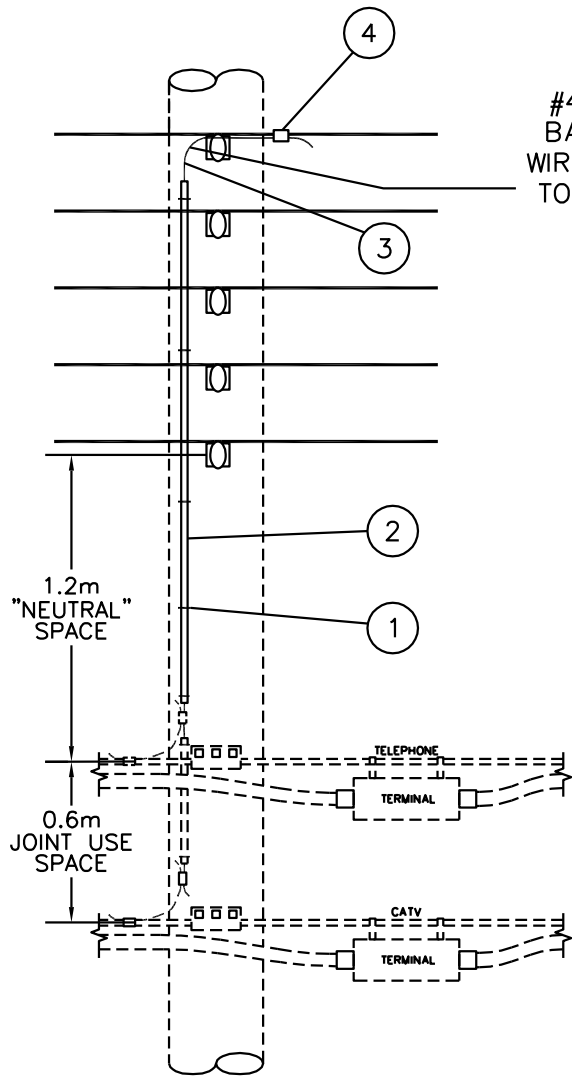
- WHERE NO MOLDING IS ENCOUNTERED WHEN BONDING IS DONE, INSTALL MINIMUM 1m ABOVE AND 1m BELOW THE JOINT USE SPACE.

SCALE: N.T.S. ALL DIMENSIONS ARE IN MILLIMETRES UNLESS OTHERWISE INDICATED

SaskPower – DISTRIBUTION STANDARDS

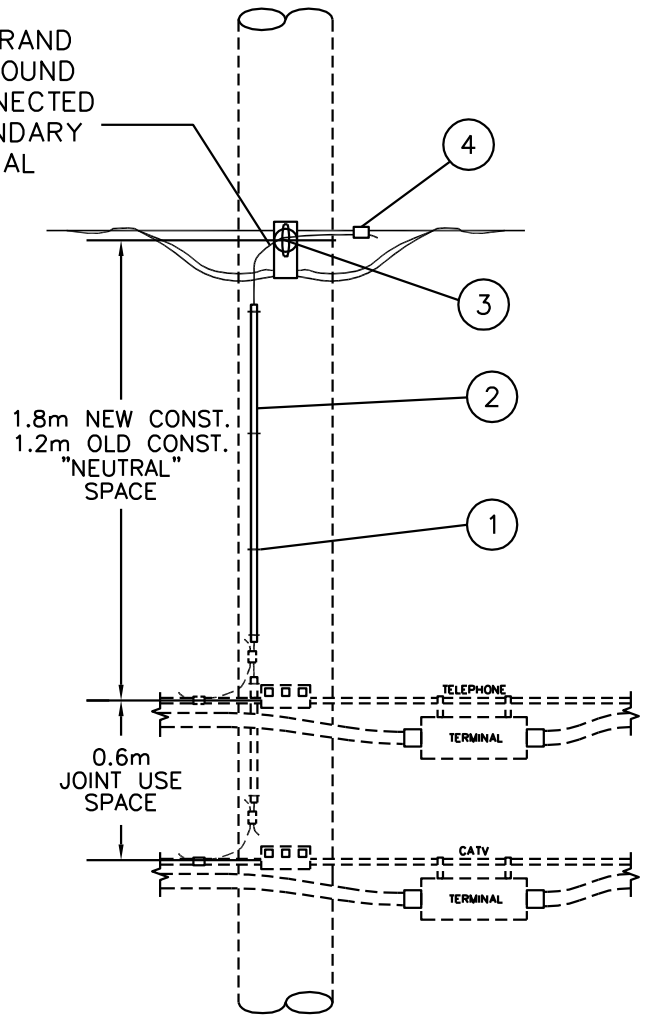
APPROVAL	DESIGN CHK.	DRN. A.GATZKE CHKD.T.VENTOCILLA	BONDED CONNECTION OF MESSENGER TO EXISTING GROUND RISER
DATE OF ISSUE: 2011-04-01		DRAWING NO. A-28-03	SHEET 1 of 1
			REV. B

NO.	CODE	QTY.		MATERIAL
		A	B	
1	1 85 02	5	4	STAPLE MOULDING
2	2 27 00	1	1	MOULDING GRD. WIRE
3	2 83 04	4m	3m	WIRE #4/7 STR. BARE CU.
4	5 09 XX			CRIMPIT TO SUIT



A
OPEN WIRE
SECONDARY

#4/7 STRAND
BARE GROUND
WIRE CONNECTED
TO SECONDARY
NEUTRAL



B
Tx OR Qx
SECONDARY

SCALE: N.T.S. ALL DIMENSIONS ARE IN MILLIMETRES UNLESS OTHERWISE INDICATED

SaskPower – DISTRIBUTION STANDARDS

APPROVAL	DESIGN CHK.	DRN. A.GATZKE CHKD.T.VENTOCILLA
----------	-------------	------------------------------------

JOINT USE BONDING
WHERE THERE IS NO
GROUND RISER

DATE OF ISSUE: 2011-04-01

DRAWING NO. A-28-04

SHEET 1 of 1

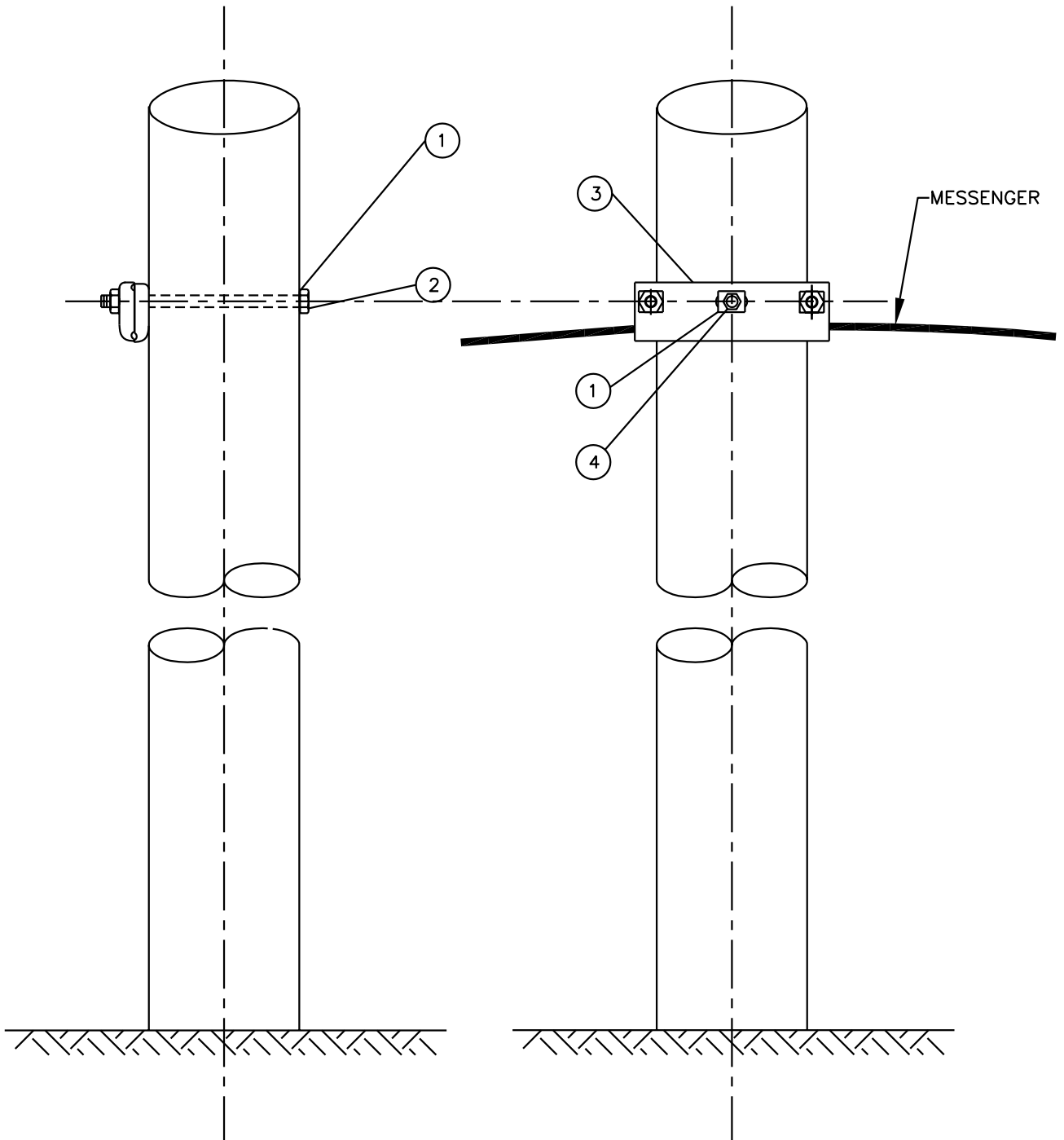
REV. A

BILL OF MATERIAL

ITEM NO.	CODE NO.	QUANTITY	DESCRIPTION
1	COMMUNICATION COMPANY	2	WASHER SQUARE - 2 1/4" x 2 1/4" x 13/16" HOLE
2	COMMUNICATION COMPANY	1	BOLT - 5/8" X 14"
3	COMMUNICATION COMPANY	1	CLAMP SUSPENSION MESSENGER - 3 BOLT
4	COMMUNICATION COMPANY	1	NUT - 5/8"
<p>NOTE: 1. COMMUNICATION COMPANY TO SUPPLY MATERIAL FOR EACH IDENTIFIED PROJECT</p>			

SaskPower - DISTRIBUTION STANDARDS

DRN.	DESIGN CHK.	APPROVAL	TRANSFER MESSENGER
CHKD.			
DATE	DATE	DATE	
DATE OF ISSUE: 2003/05/30		DRAWING NO: A-28-05	SHEET 1 OF 2
			REV. A



NOTE:

- 1: SALVAGED HARDWARE TO BE RETURNED TO COMMUNICATION COMPANY.
- 2: REFER TO A-28-01 FOR MOUNTING HEIGHTS AND CLEARANCE REQUIREMENTS.

SCALE: N.T.S. ALL DIMENSIONS ARE IN MILLIMETRES UNLESS OTHERWISE INDICATED

SaskPower – DISTRIBUTION STANDARDS

DRN. A.JUTTLA	DESIGN CHK.	APPROVAL	TRANSFER MESSENGER
CHKD.			
DATE	DATE	DATE	
DATE OF ISSUE: 2003/05/30		DRAWING NO. A-28-05	SHEET 2 of 2 REV. A